

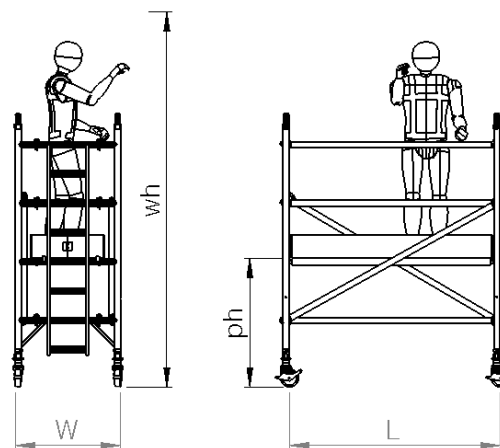
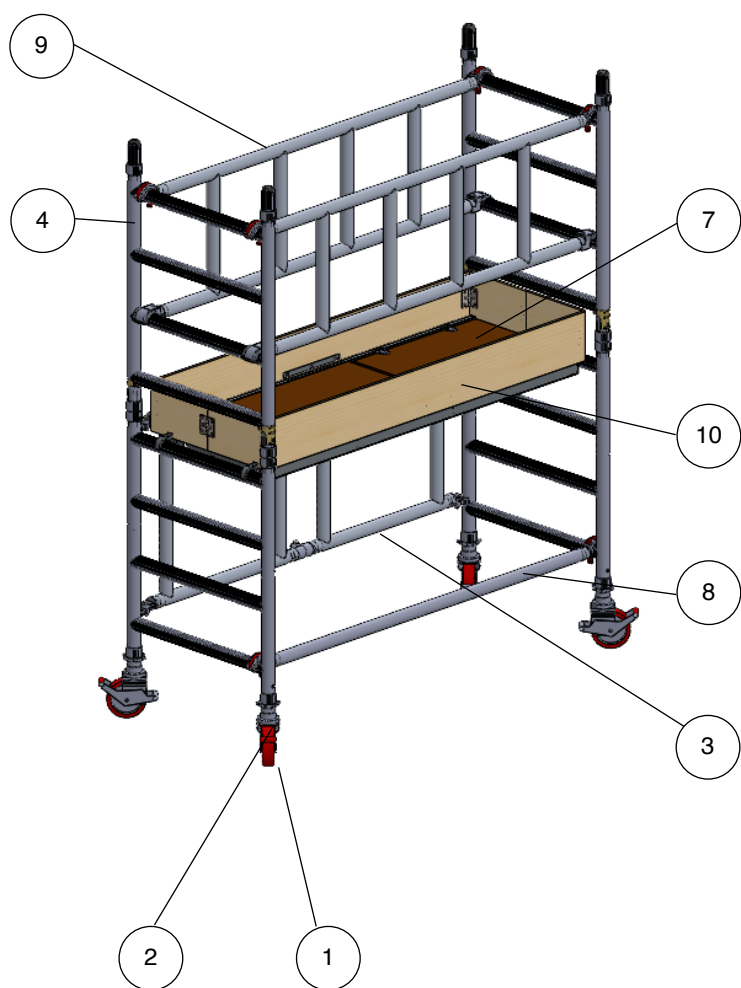
**Fold Out Tower**  
1.8m Long x 0.72m Wide

**Working Height**  
3.2m

**Platform Height**  
1.2m

## Tower Components

Item	Description	Quantity
1	150mm Locking Caster	4
2	Adjustable Leg 500mm	4
3	1m x 1.8m Folding Frame	1
4	1m 4 Rung Frame	2
5	1.5m 6 Rung Frame	0
6	2m 8 Rung Frame	0
7	1.8m Trapdoor Platform	1
8	1.8m Horizontal Brace	1
9	1.8m AGR	2
10	Complete Toe Board Set	1
11	S3 Stabiliser	0
12	Instruction Manual & EN1004:-1:2020 certificate of conformity	1



### Technical information:

Base Dimensions:	(L)1.8m X (W)0.72m
Maximum Platform Height (ph):	1.2m
Maximum Working Height (wh):	3.2m
Maximum Working Load Per Platform:	275kg
Maximum Working Load Per Tower: (including tower weight)	750kg
Weight:	78.6kg

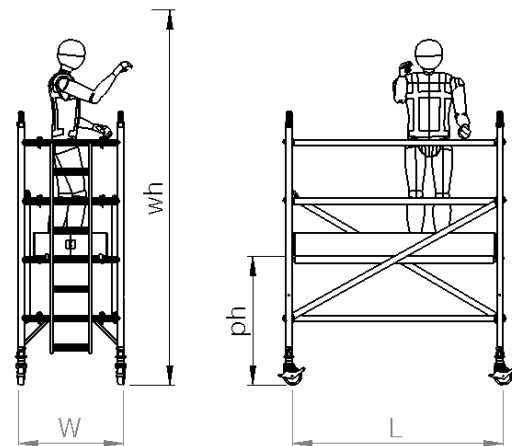
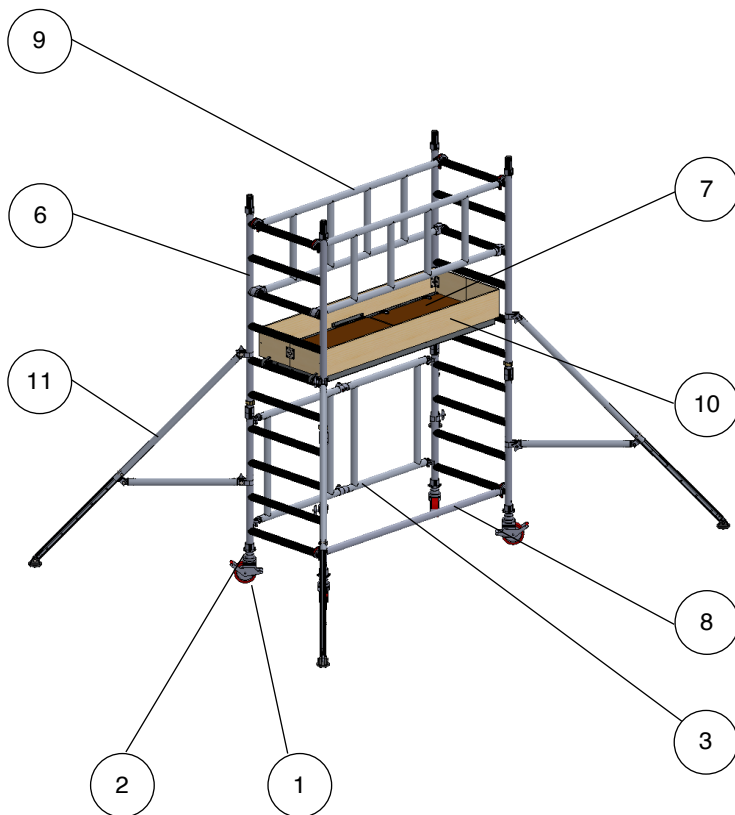
**Fold Out Tower**  
1.8m Long x 0.72m Wide

**Working Height**  
3.7m

**Platform Height**  
1.7m

## Tower Components

Item	Description	Quantity
1	150mm Locking Caster	4
2	Adjustable Leg 500mm	4
3	1m x 1.8m Folding Frame	1
4	1m 4 Rung Frame	0
5	1.5m 6 Rung Frame	2
6	2m 8 Rung Frame	0
7	1.8m Trapdoor Platform	1
8	1.8m Horizontal Brace	1
9	1.8m AGR	2
10	Complete Toe Board Set	1
11	S3 Stabiliser	4
12	Instruction Manual & EN1004:-1:2020 certificate of conformity	1



### Technical information:

Base Dimensions:	(L)1.8m X (W)0.72m
Maximum Platform Height (ph):	1.7m
Maximum Working Height (wh):	3.7m
Maximum Working Load Per Platform:	275kg
Maximum Working Load Per Tower: (including tower weight)	750kg
Weight:	111kg

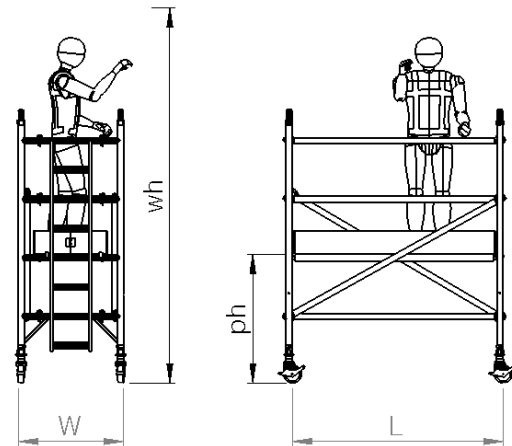
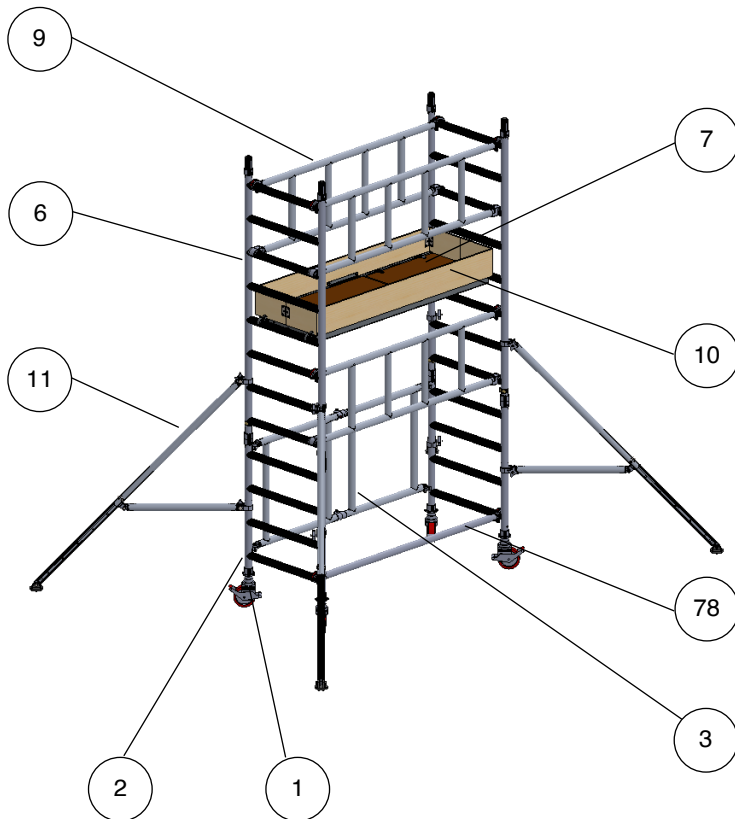
**Fold Out Tower**  
1.8m Long x 0.72m Wide

**Working Height**  
4.2m

**Platform Height**  
2.2m

## Tower Components

Item	Description	Quantity
1	150mm Locking Caster	4
2	Adjustable Leg 500mm	4
3	1m x 1.8m Folding Frame	1
4	1m 4 Rung Frame	0
5	1.5m 6 Rung Frame	0
6	2m 8 Rung Frame	2
7	1.8m Trapdoor Platform	1
8	1.8m Horizontal Brace	1
9	1.8m AGR	3
10	Complete Toe Board Set	1
11	S3 Stabiliser	4
12	Instruction Manual & EN1004:-1:2020 certificate of conformity	1



### Technical information:

Base Dimensions:	(L)1.8m X (W)0.72m
Maximum Platform Height (ph):	2.2m
Maximum Working Height (wh):	4.2m
Maximum Working Load Per Platform:	275kg
Maximum Working Load Per Tower: (including tower weight)	750kg
Weight:	117kg

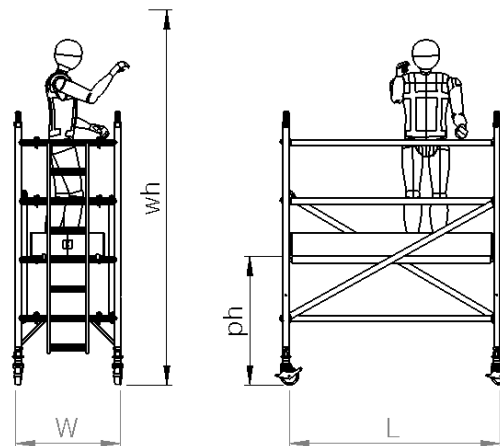
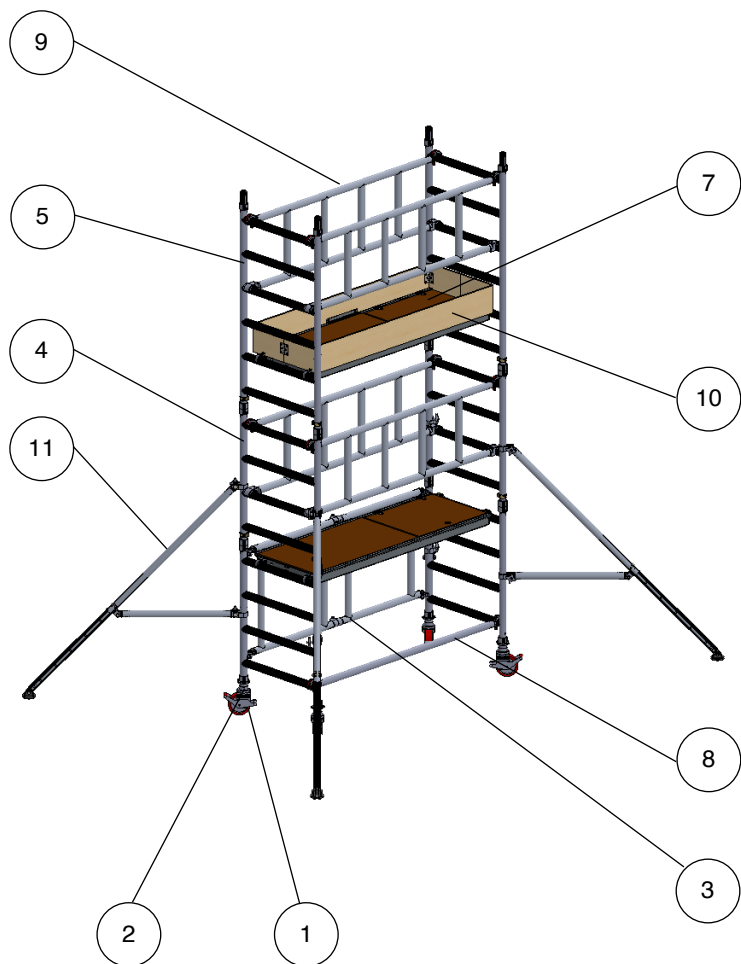
**Fold Out Tower**  
1.8m Long x 0.72m Wide

**Working Height**  
3.7m

**Platform Height**  
2.7m

## Tower Components

Item	Description	Quantity
1	150mm Locking Caster	4
2	Adjustable Leg 500mm	4
3	1m x 1.8m Folding Frame	1
4	1m 4 Rung Frame	2
5	1.5m 6 Rung Frame	2
6	2m 8 Rung Frame	0
7	1.8m Trapdoor Platform	1
8	1.8m Horizontal Brace	1
9	1.8m AGR	4
10	Complete Toe Board Set	1
11	S3 Stabiliser	4
12	Instruction Manual & EN1004:-1:2020 certificate of conformity	1



### Technical information:

Base Dimensions:	(L)1.8m X (W)0.72m
Maximum Platform Height (ph):	2.7m
Maximum Working Height (wh):	3.7m
Maximum Working Load Per Platform:	275kg
Maximum Working Load Per Tower: (including tower weight)	750kg
Weight:	146.9kg

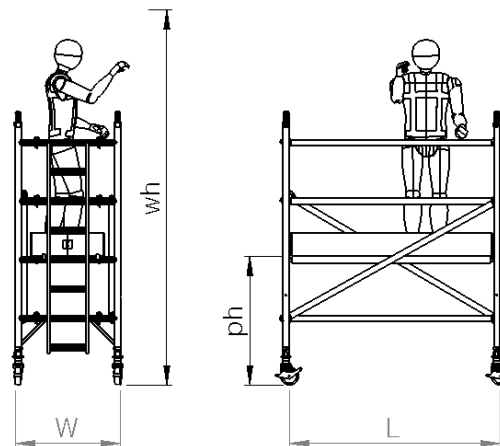
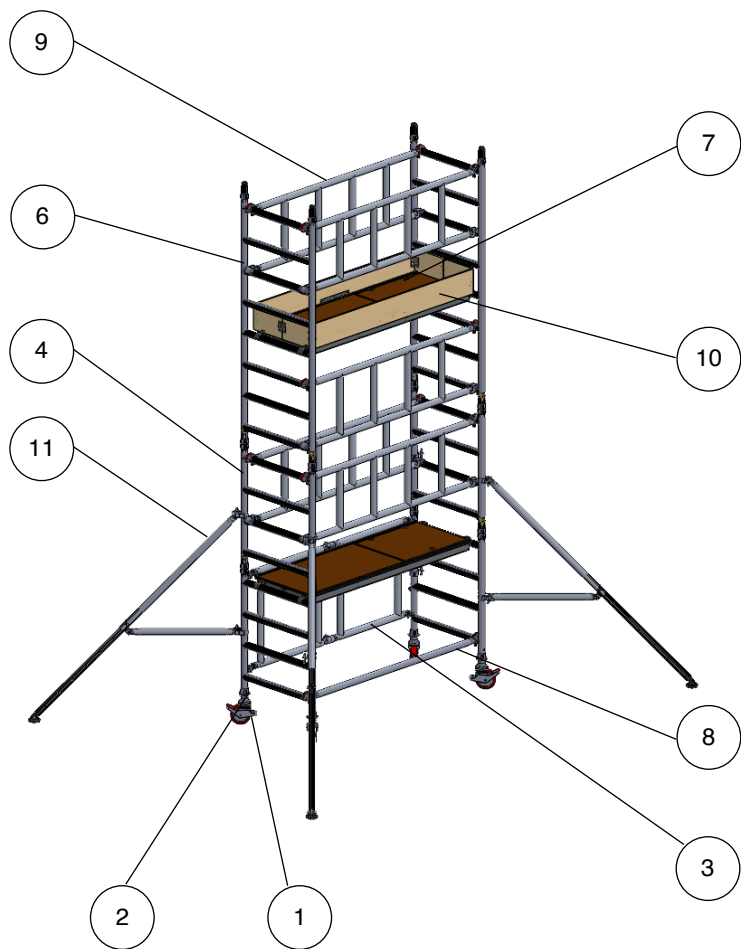
**Fold Out Tower**  
1.8m Long x 0.72m Wide

**Working Height**  
5.2m

**Platform Height**  
3.2m

## Tower Components

Item	Description	Quantity
1	150mm Locking Caster	4
2	Adjustable Leg 500mm	4
3	1m x 1.8m Folding Frame	1
4	1m 4 Rung Frame	2
5	1.5m 6 Rung Frame	0
6	2m 8 Rung Frame	2
7	1.8m Trapdoor Platform	2
8	1.8m Horizontal Brace	1
9	1.8m AGR	5
10	Complete Toe Board Set	1
11	S3 Stabiliser	4
12	Instruction Manual & EN1004:-1:2020 certificate of conformity	1



### Technical information:

Base Dimensions:	(L)1.8m X (W)0.72m
Maximum Platform Height (ph):	3.2m
Maximum Working Height (wh):	5.2m
Maximum Working Load Per Platform:	275kg
Maximum Working Load Per Tower: (including tower weight)	750kg
Weight:	159.2kg

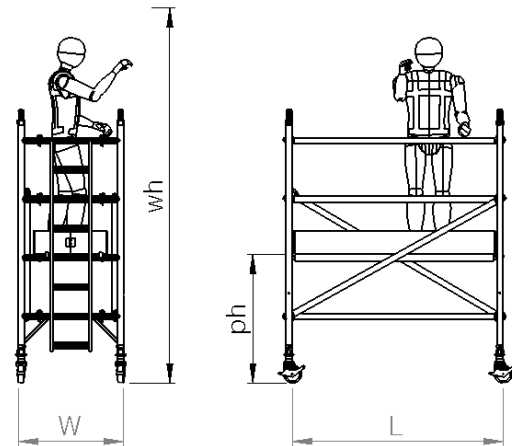
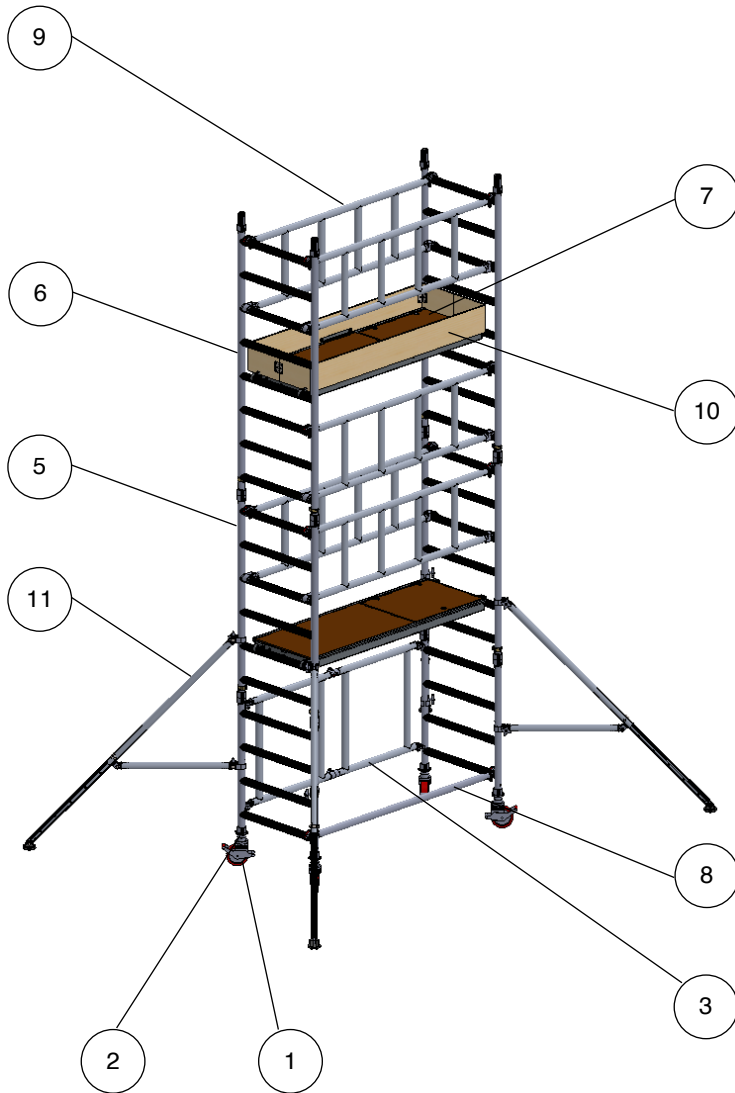
**Fold Out Tower**  
1.8m Long x 0.72m Wide

**Working Height**  
5.7m

**Platform Height**  
3.7m

## Tower Components

Item	Description	Quantity
1	150mm Locking Caster	4
2	Adjustable Leg 500mm	4
3	1m x 1.8m Folding Frame	1
4	1m 4 Rung Frame	0
5	1.5m 6 Rung Frame	2
6	2m 8 Rung Frame	2
7	1.8m Trapdoor Platform	2
8	1.8m Horizontal Brace	1
9	1.8m AGR	5
10	Complete Toe Board Set	1
11	S3 Stabiliser	4
12	Instruction Manual & EN1004:-1:2020 certificate of conformity	1



### Technical information:

Base Dimensions:	(L)1.8m X (W)0.72m
Maximum Platform Height (ph):	3.7m
Maximum Working Height (wh):	5.7m
Maximum Working Load Per Platform:	275kg
Maximum Working Load Per Tower: (including tower weight)	750kg
Weight:	161.7kg

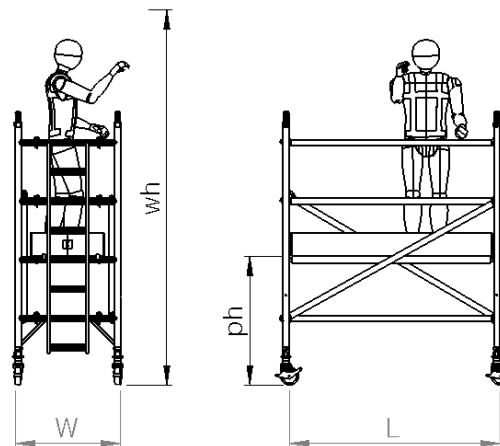
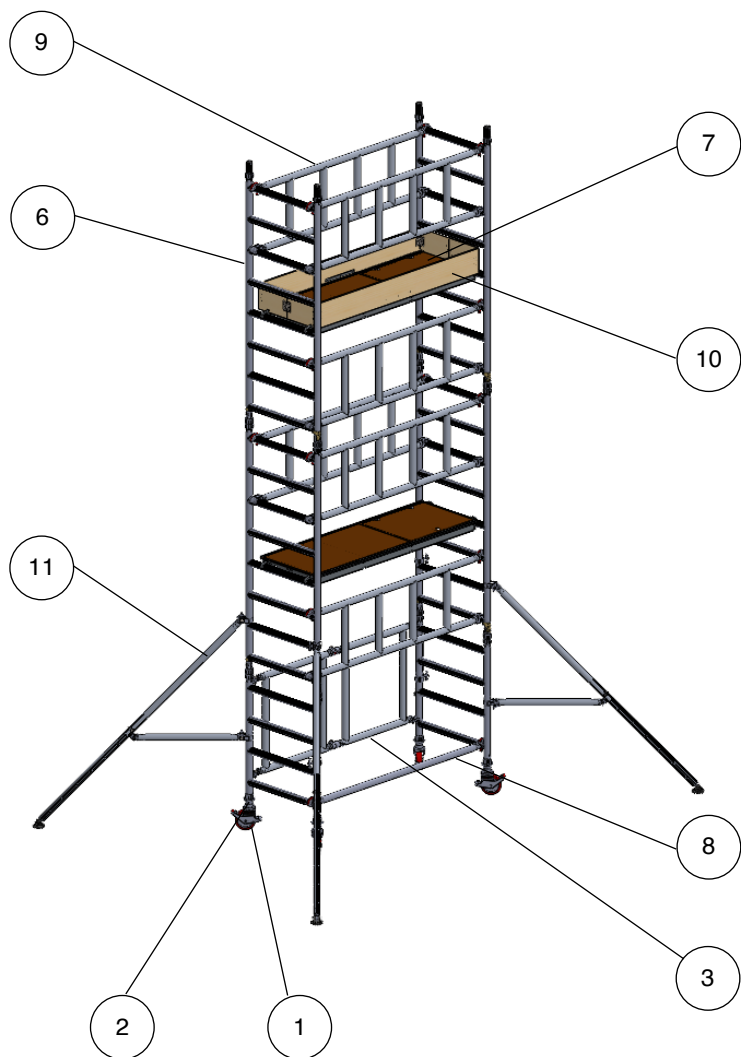
**Fold Out Tower**  
1.8m Long x 0.72m Wide

**Working Height**  
6.2m

**Platform Height**  
4.2m

## Tower Components

Item	Description	Quantity
1	150mm Locking Caster	4
2	Adjustable Leg 500mm	4
3	1m x 1.8m Folding Frame	1
4	1m 4 Rung Frame	0
5	1.5m 6 Rung Frame	0
6	2m 8 Rung Frame	4
7	1.8m Trapdoor Platform	2
8	1.8m Horizontal Brace	1
9	1.8m AGR	6
10	Complete Toe Board Set	1
11	S3 Stabiliser	4
12	Instruction Manual & EN1004:-1:2020 certificate of conformity	1



### Technical information:

Base Dimensions:	(L)1.8m X (W)0.72m
Maximum Platform Height (ph):	4.2m
Maximum Working Height (wh):	6.2m
Maximum Working Load Per Platform:	275kg
Maximum Working Load Per Tower: (including tower weight)	750kg
Weight:	167.7kg

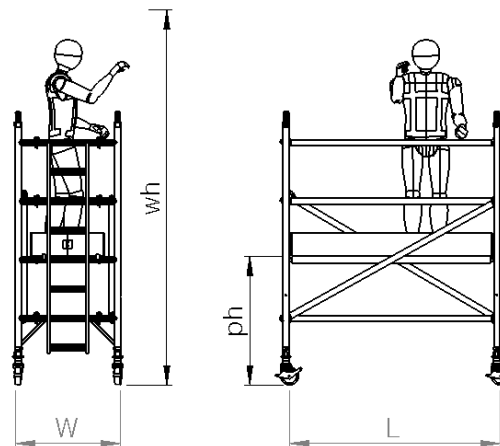
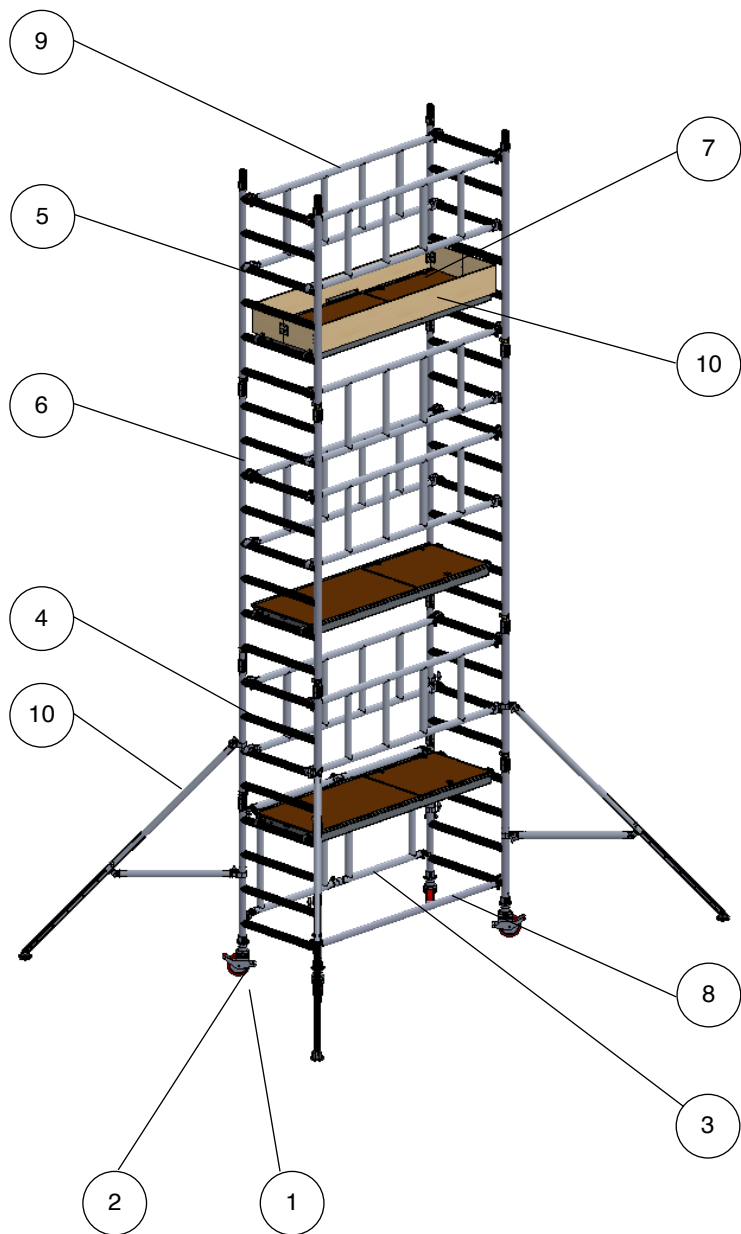
**Fold Out Tower**  
1.8m Long x 0.72m Wide

**Working Height**  
6.7m

**Platform Height**  
4.7m

## Tower Components

Item	Description	Quantity
1	150mm Locking Caster	4
2	Adjustable Leg 500mm	4
3	1m x 1.8m Folding Frame	1
4	1m 4 Rung Frame	2
5	1.5m 6 Rung Frame	2
6	2m 8 Rung Frame	2
7	1.8m Trapdoor Platform	3
8	1.8m Horizontal Brace	1
9	1.8m AGR	7
10	Complete Toe Board Set	1
11	S3 Stabiliser	4
12	Instruction Manual & EN1004:-1:2020 certificate of conformity	1



### Technical information:

Base Dimensions:	(L)1.8m X (W)0.72m
Maximum Platform Height (ph):	4.7m
Maximum Working Height (wh):	6.7m
Maximum Working Load Per Platform:	275kg
Maximum Working Load Per Tower: (including tower weight)	750kg
Weight:	197.6kg



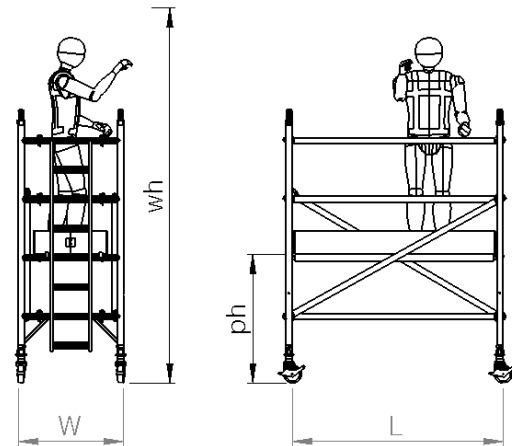
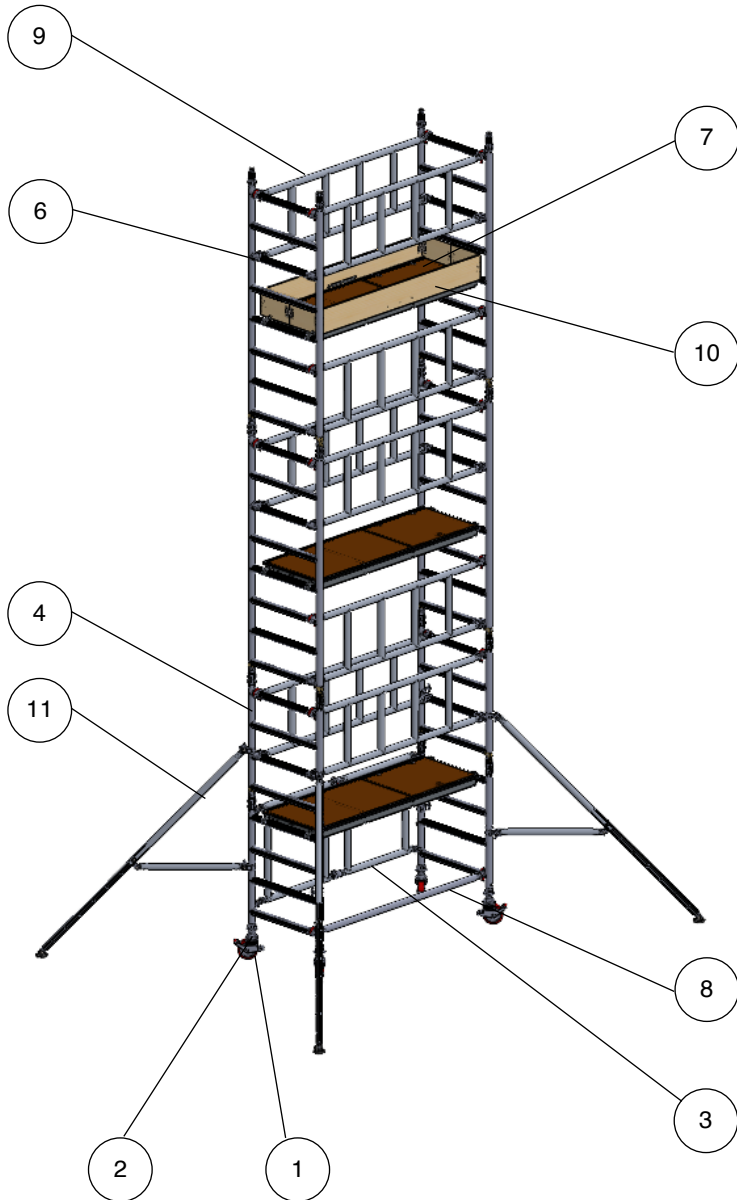
**Fold Out Tower**  
1.8m Long x 0.72m Wide

**Working Height**  
7.2m

**Platform Height**  
5.2m

## Tower Components

Item	Description	Quantity
1	150mm Locking Caster	4
2	Adjustable Leg 500mm	4
3	1m x 1.8m Folding Frame	1
4	1m 4 Rung Frame	2
5	1.5m 6 Rung Frame	0
6	2m 8 Rung Frame	4
7	1.8m Trapdoor Platform	3
8	1.8m Horizontal Brace	1
9	1.8m AGR	8
10	Complete Toe Board Set	1
11	S3 Stabiliser	4
12	Instruction Manual & EN1004:-1:2020 certificate of conformity	1



### Technical information:

Base Dimensions:	(L)1.8m X (W)0.72m
Maximum Platform Height (ph):	5.2m
Maximum Working Height (wh):	7.2m
Maximum Working Load Per Platform:	275kg
Maximum Working Load Per Tower: (including tower weight)	750kg
Weight:	203.6kg

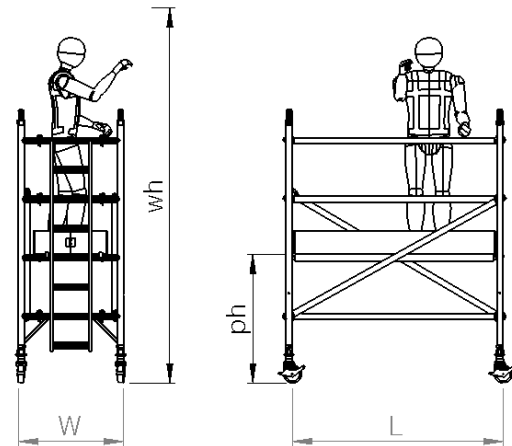
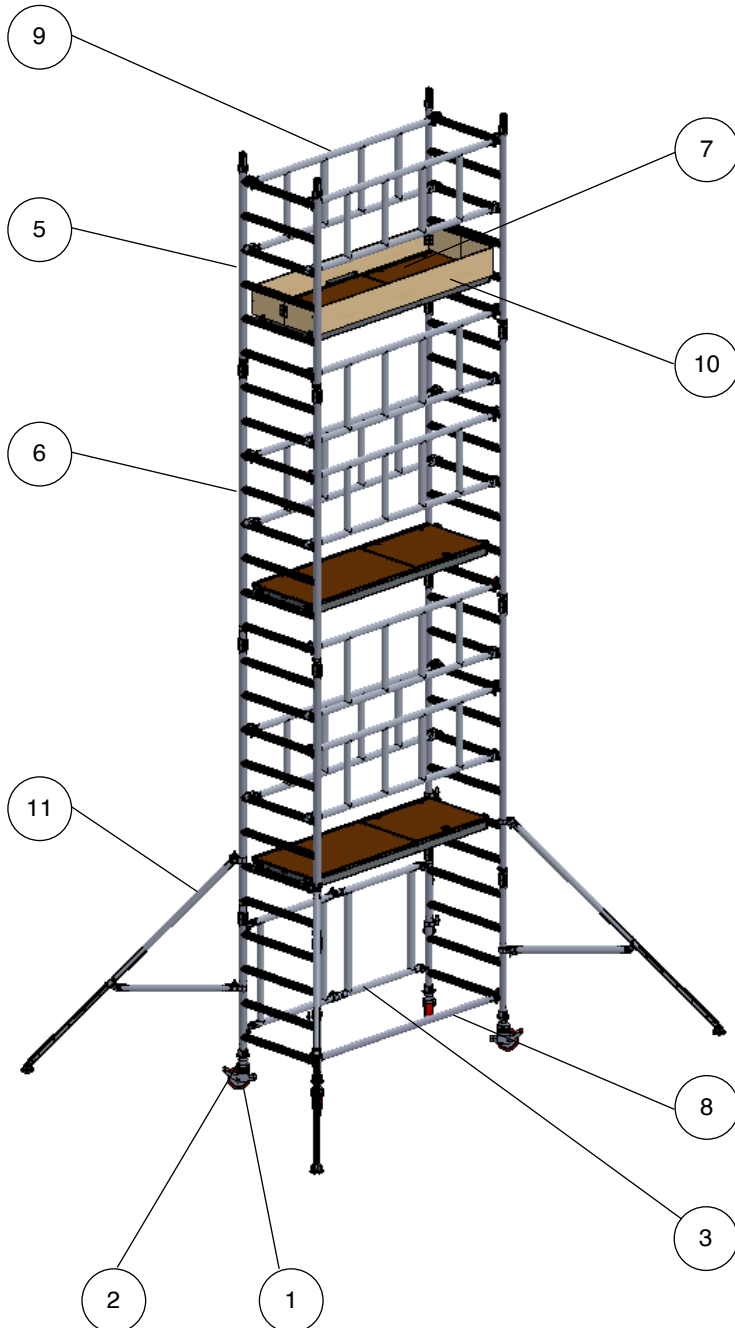
**Fold Out Tower**  
1.8m Long x 0.72m Wide

**Working Height**  
7.7m

**Platform Height**  
5.7m

### Tower Components

Item	Description	Quantity
1	150mm Locking Caster	4
2	Adjustable Leg 500mm	4
3	1m x 1.8m Folding Frame	1
4	1m 4 Rung Frame	0
5	1.5m 6 Rung Frame	2
6	2m 8 Rung Frame	4
7	1.8m Trapdoor Platform	3
8	1.8m Horizontal Brace	1
9	1.8m AGR	8
10	Complete Toe Board Set	1
11	S3 Stabiliser	4
12	Instruction Manual & EN1004:-1:2020 certificate of conformity	1



#### Technical information:

Base Dimensions:	(L)1.8m X (W)0.72m
Maximum Platform Height (ph):	5.7m
Maximum Working Height (wh):	7.7m
Maximum Working Load Per Platform:	275kg
Maximum Working Load Per Tower: (including tower weight)	750kg
Weight:	212.4kg

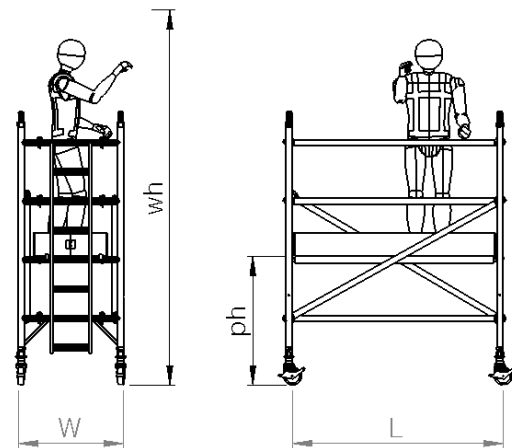
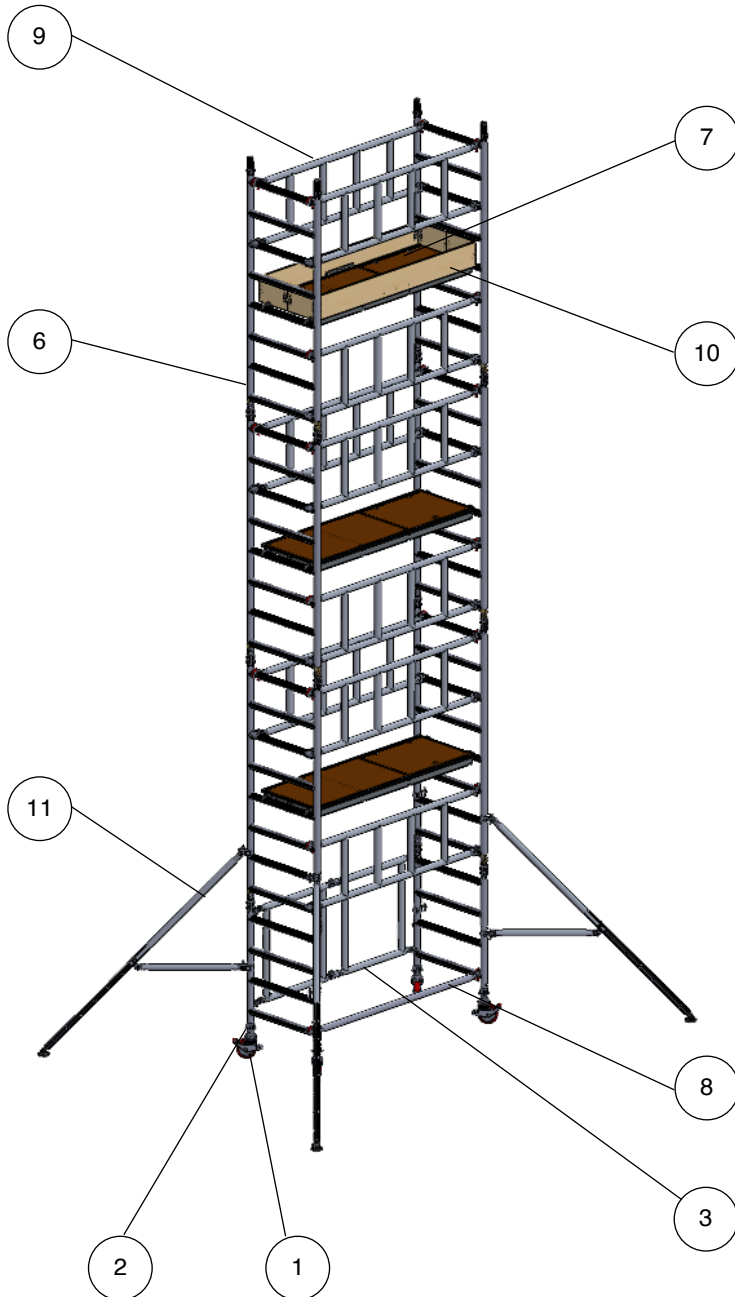
**Fold Out Tower**  
1.8m Long x 0.72m Wide

**Working Height**  
8.2m

**Platform Height**  
6.2m

## Tower Components

Item	Description	Quantity
1	150mm Locking Caster	4
2	Adjustable Leg 500mm	4
3	1m x 1.8m Folding Frame	1
4	1m 4 Rung Frame	0
5	1.5m 6 Rung Frame	0
6	2m 8 Rung Frame	6
7	1.8m Trapdoor Platform	3
8	1.8m Horizontal Brace	1
9	1.8m AGR	9
10	Complete Toe Board Set	1
11	S3 Stabiliser	4
12	Instruction Manual & EN1004:-1:2020 certificate of conformity	1



### Technical information:

Base Dimensions:	(L)1.8m X (W)0.72m
Maximum Platform Height (ph):	6.2m
Maximum Working Height (wh):	8.2m
Maximum Working Load Per Platform:	275kg
Maximum Working Load Per Tower: (including tower weight)	750kg
Weight:	218.4kg