

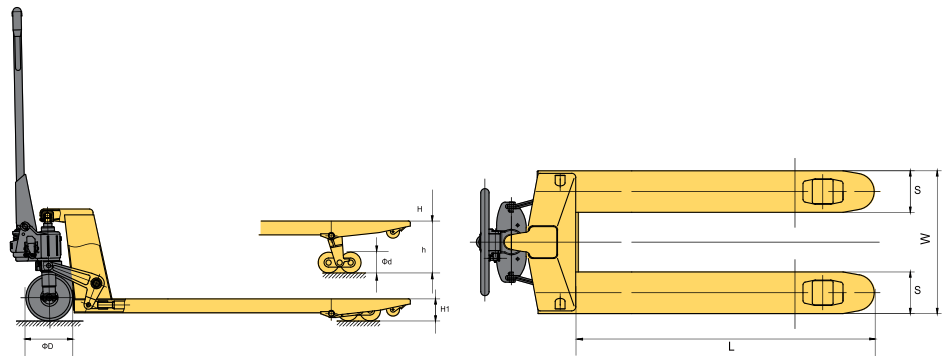
PWH25/30/35-II

HAND PALLET TRUCK

- ◆ Fully automatic robot welding chassis, make sure the precision, consistency, lead to reliable quality and longer life time.
- ◆ High quality and easy maintenance pump equipped. More than 50 million pieces produced each year, high reliable quality and extremely low failure rate.
- ◆ Small pump body removable design. If there are any failure on the small pump, it can be fixed via only changing it rather than replace the whole pump assembly. Save cost and easy maintenance.
- ◆ High quality spring used to make sure long life time.



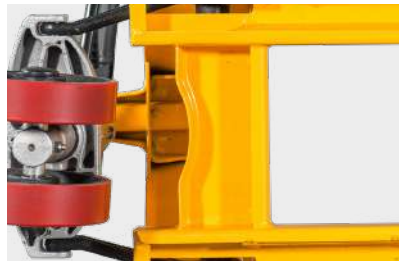
MODEL		WH-25L-65	PWH25-II	PWH30-II	PWH35-II	
FEATURE						
1.1	capacity	kg	2500	2500	3000	3500
1.2	pump type		BF	BF	BF	BF
WEIGHT						
2.1	wheel(drive/load) Type		PU/Nylon	PU/RU/Nylon	PU/RU/Nylon	PU/RU/Nylon
2.2	size of steering wheel	φD mm	160*50	180*50 180*50 200*50	180*50 180*50 200*50	180*50 180*50 200*50
2.3	size of Loading wheel(single wheel)	φd mm	60*93	74*93 80*93 80*93	74*93 80*93 80*93	74*93 80*93 80*93
2.4	size of Loading wheel(double wheel)	φd mm	60*70	74*70 80*70 80*70	74*70 80*70 80*70	74*70 80*70 80*70
DIMENSIONS						
3.1	lifting height	h mm	105	115	115	115
3.2	max. fork lifting height	H mm	170	195 200 200	195 200 200	195 200 200
3.3	Lowered height of fork	H1 mm	65	75 85 85	75 85 85	75 85 85
3.4	fork outside distance	W mm	550/685	520/550/685	520/550/685	520/550/685
3.5	fork length	L mm	1150/1220	900/1100/1150/1220	900/1100/1150/1220	900/1100/1150/1220
3.6	fork width	S mm	160	160	160	160
3.7	steel thickness(after painting)	mm	3	3	3.75	4
3.8	weight	kg	58~65	61.5~68.5	71~78.5	73~83.5



Hand Pallet Truck



- ◆ Well designed opening space for loading wheel, better protection for the wheel, and push rod, wheel fork etc.



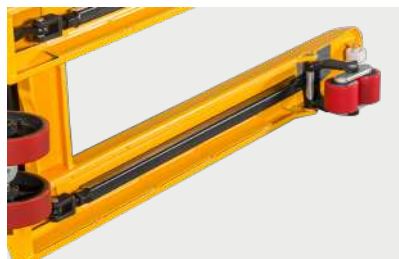
- ◆ Tough chassis design to ensure the stability and reliability.
- ◆ Extra supporting rod added, tough and longer chassis life time.



- ◆ Rigid rock arm design.

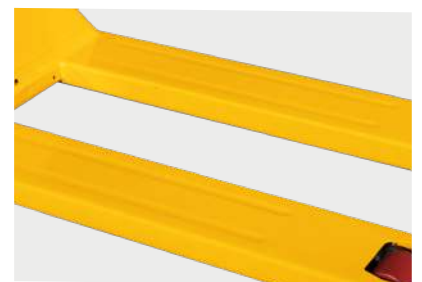


- ◆ Standard Reinforcing Stiffener under forks. Half length stiffener for 2T, 2.5T; full length stiffener for 3T, 3.5T;



- ◆ Adjustable push rod design. In case of the hand pallet truck used after one year, the 2 forks might not be on the same level, with this design, it still can be adjustable.

- ◆ Reliable quality loading and guide roller, good quality screw to ensure the stability, Life time is much longer than others.
- ◆ Good quality wheels and bearings.



- ◆ Unique Fork design. Grooved forks, punched by heavy presser, much stronger than normal flat fork. 400kgs fork intensity increases at static load.



- ◆ Option of different coating material for both steering wheel and fork rollers.