

BSPOD075

BS 8620 Podium

(H)1.76 X (L)1.37m X (W)0.65m

Working Height

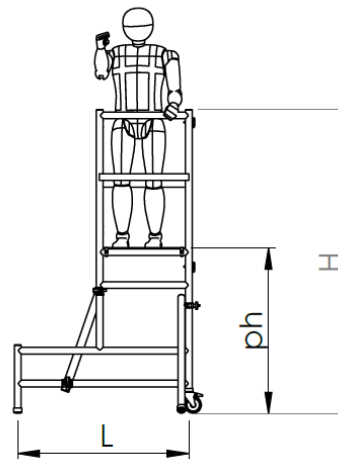
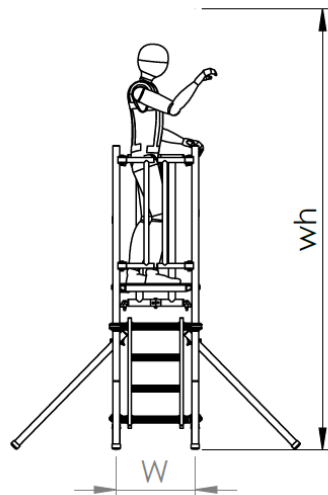
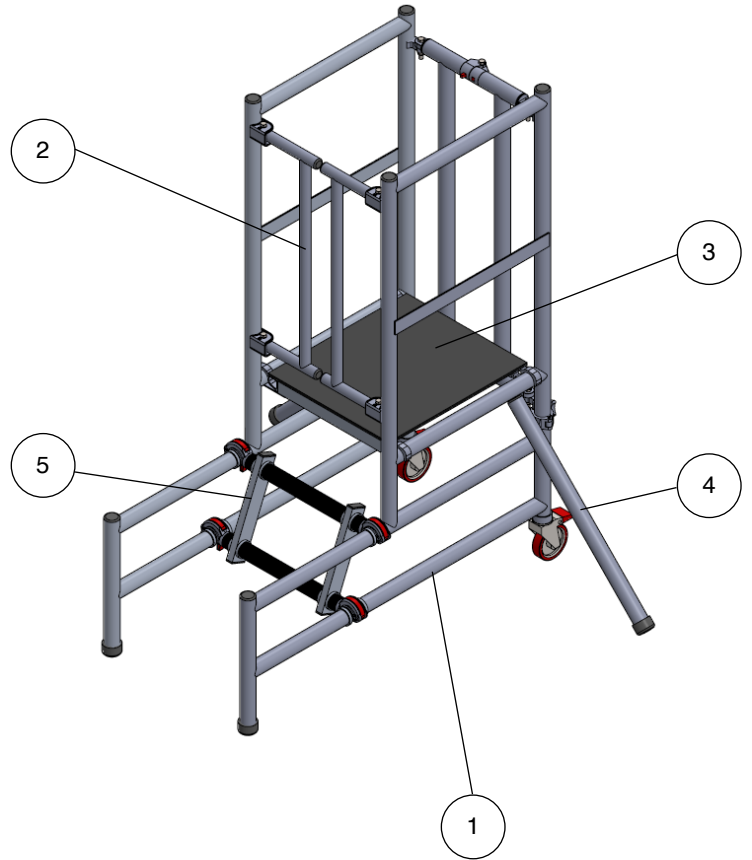
2.75m

Platform Height

0.75m

Tower Components

Item	Description	Quantity
1	Podium Mainframe	1
2	Self Closing Gates	1
3	Platform	1
4	Stabilisers	2
5	Ladder	1
6	Instruction Manual	1



Technical information:

Open Dimensions:

(H)1.76 X (L)1.37m X (W)0.65m

Storage Dimensions:

(H)1.76 X (L)1.37m X (W)0.26m

Platform Dimensions:

0.6m X 0.53m

Platform Height (ph):

0.5m 0.75m

Working Height (wh):

2.5m 2.75m

Maximum Working Load:

150kg

Weight:

31kg

BSPOD100

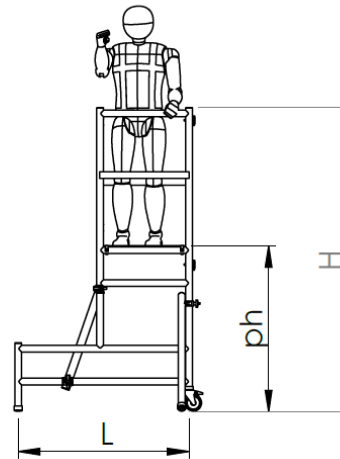
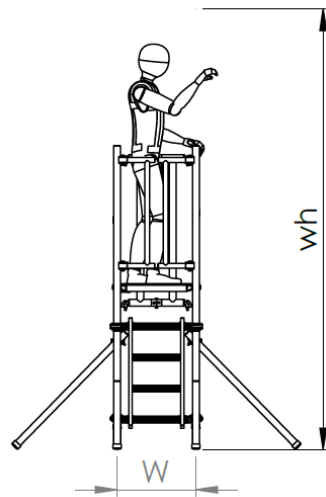
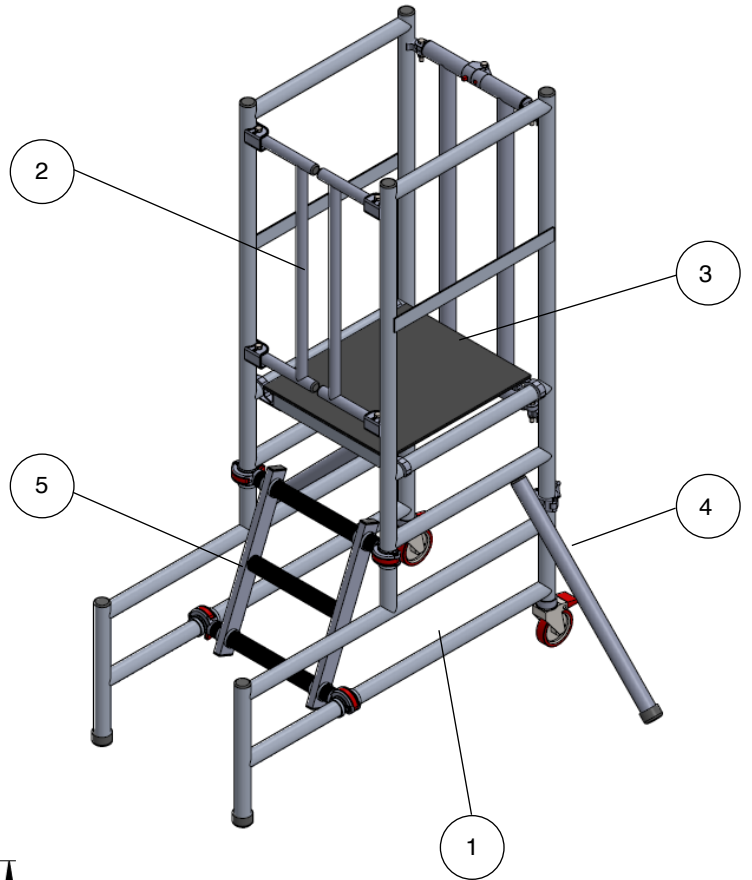
BS 8620 Podium
 (H)2.01 X (L)1.37m X (W)0.65m

Working Height
 3.0m

Platform Height
 1.0m

Tower Components

Item	Description	Quantity
1	Podium Mainframe	1
2	Self Closing Gates	1
3	Platform	1
4	Stabilisers	2
5	Ladder	1
6	Instruction Manual	1



Technical information:

Open Dimensions:	(H)2.01 X (L)1.37m X (W)0.65m
Storage Dimensions:	(H)2.01 X (L)1.37m X (W)0.26m
Platform Dimensions:	0.6m X 0.53m
Platform Height (ph):	0.75m 1.0m
Working Height (wh):	2.75m 3.0m
Maximum Working Load:	150kg
Weight:	33kg

BSPOD125

BS 8620 Podium

(H)2.26 X (L)1.37m X (W)0.65m

Working Height

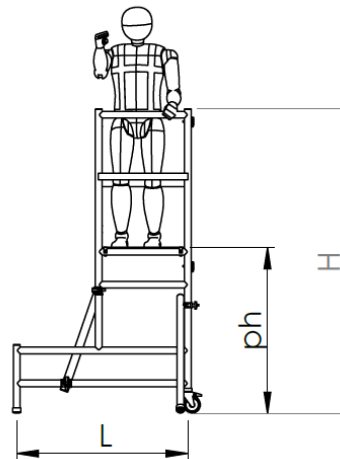
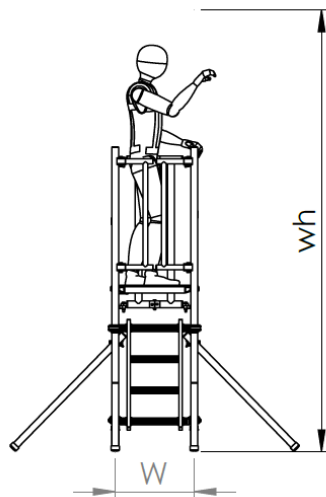
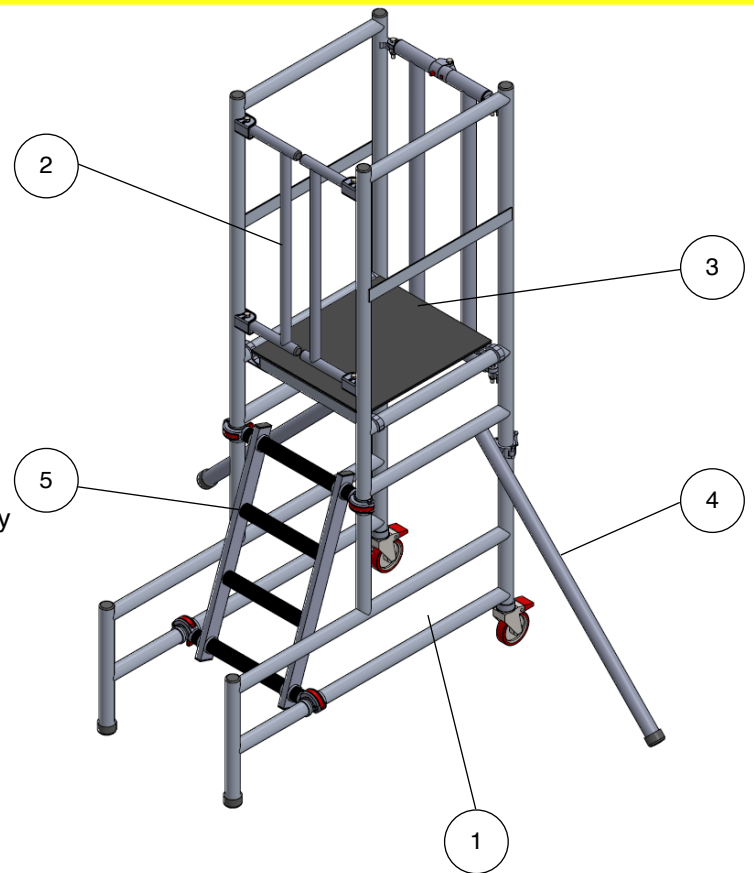
3.25m

Platform Height

1.25m

Tower Components

Item	Description	Quantity
1	Podium Mainframe	1
2	Self Closing Gates	1
3	Platform	1
4	Stabilisers	2
5	Ladder	1
6	Instruction Manual	1



Technical information:

Open Dimensions:	(H)2.26 X (L)1.37m X (W)0.65m	
Storage Dimensions:	(H)2.26 X (L)1.37m X (W)0.26m	
Platform Dimensions:	0.6m X 0.53m	
Platform Height (ph):	1.0m	1.25m
Working Height (wh):	3.0m	3.25m
Maximum Working Load:	150kg	
Weight:	35kg	

BSPOD150

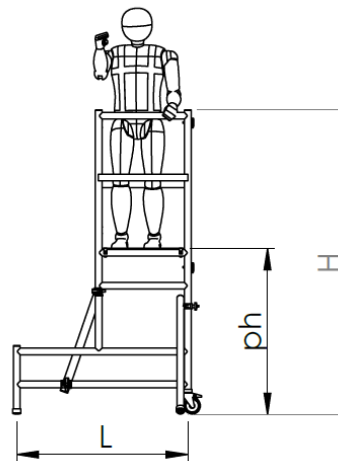
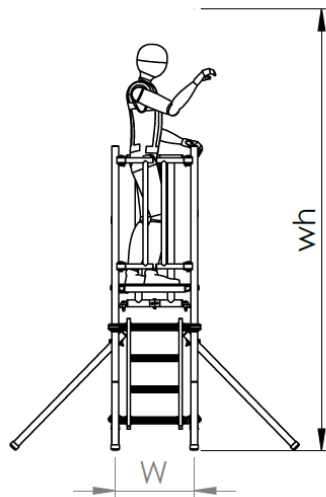
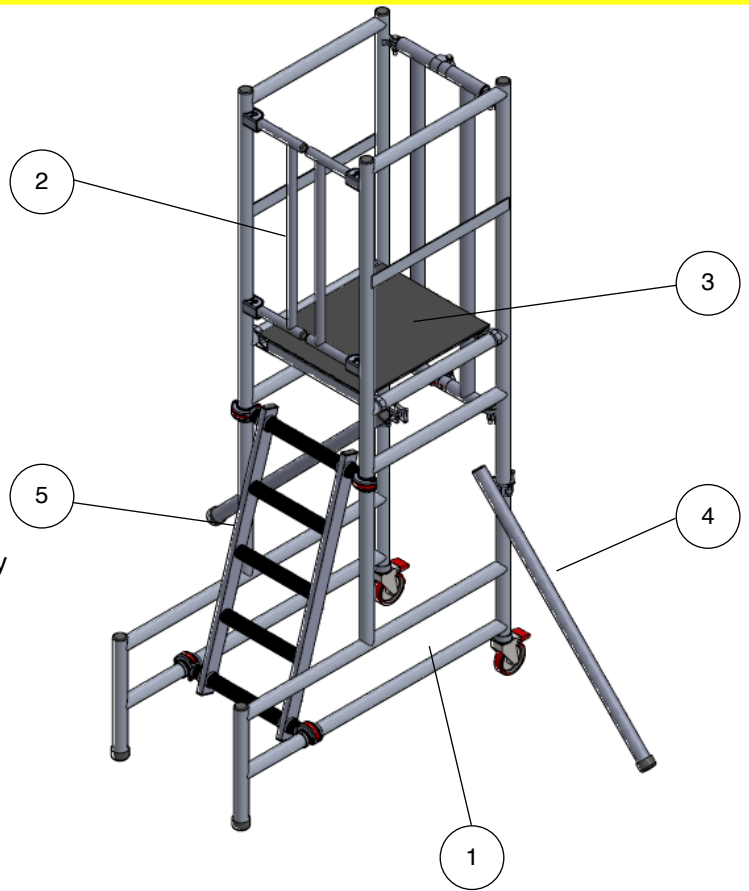
BS 8620 Podium
(H)2.51 X (L)1.37m X (W)0.65m

Working Height
3.5m

Platform Height
1.5m

Tower Components

Item	Description	Quantity
1	Podium Mainframe	1
2	Self Closing Gates	1
3	Platform	1
4	Stabilisers	2
5	Ladder	1
6	Instruction Manual	1



Technical information:

Open Dimensions:	(H)2.51 X (L)1.37m X (W)0.65m	
Storage Dimensions:	(H)2.51 X (L)1.37m X (W)0.26m	
Platform Dimensions:	0.6m X 0.53m	
Platform Height (ph):	1.25m	1.5m
Working Height (wh):	3.25m	3.5m
Maximum Working Load:	150kg	
Weight:	40kg	

BSPOD175

BS 8620 Podium

(H)2.76 X (L)1.37m X (W)0.65m

Working Height

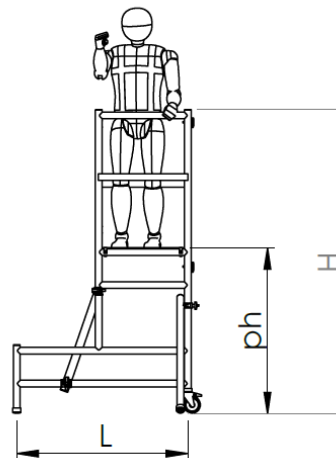
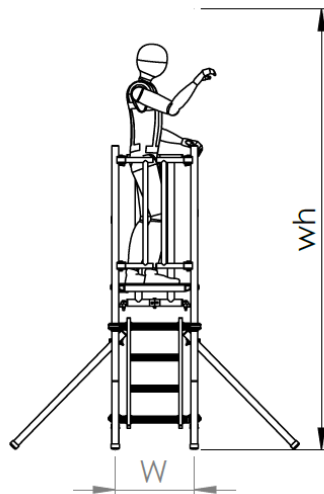
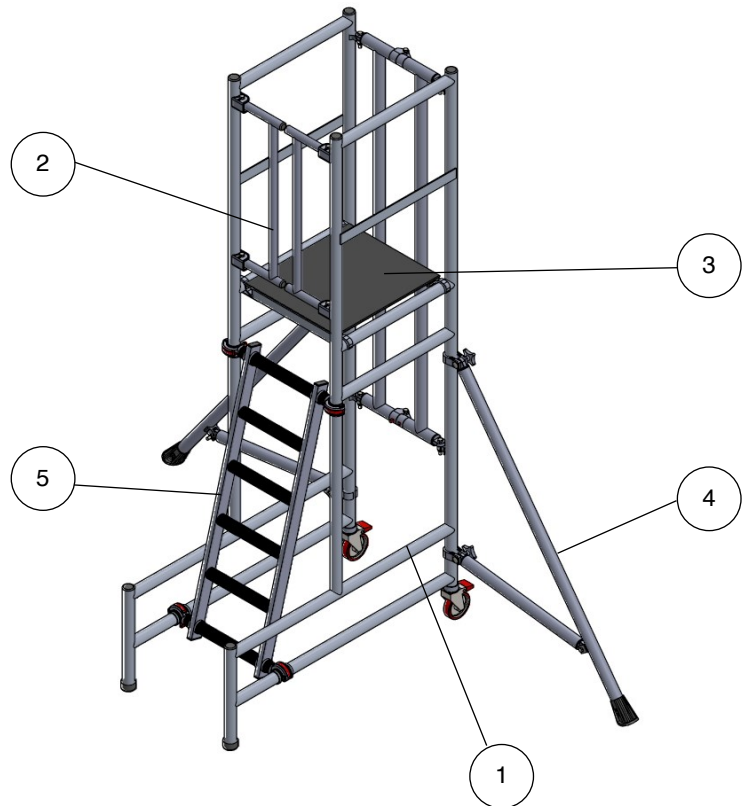
3.75m

Platform Height

1.75m

Tower Components

Item	Description	Quantity
1	Podium Mainframe	1
2	Self Closing Gates	1
3	Platform	1
4	Stabilisers	2
5	Ladder	1
6	Instruction Manual	1



Technical information:

Open Dimensions:	(H)2.76 X (L)1.37m X (W)0.65m	
Storage Dimensions:	(H)2.76 X (L)1.37m X (W)0.26m	
Platform Dimensions:	0.6m X 0.53m	
Platform Height (ph):	1.5m	1.75m
Working Height (wh):	3.5m	3.75m
Maximum Working Load:	150kg	
Weight:	45kg	

BSPOD200

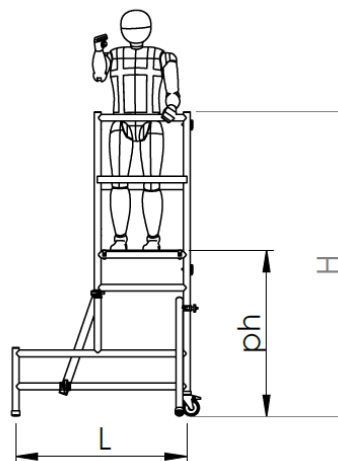
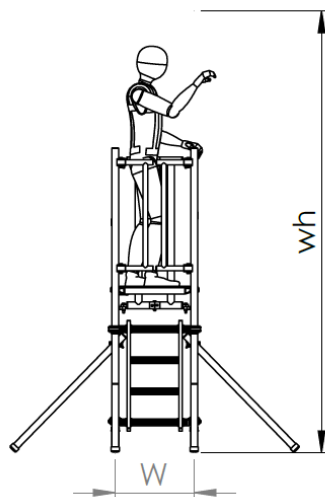
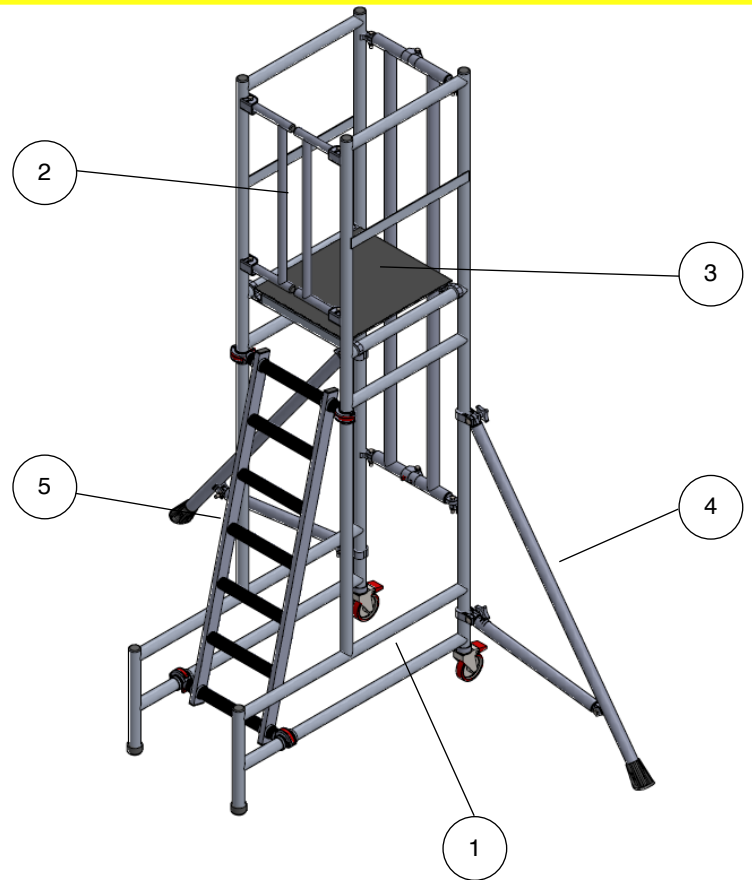
BS 8620 Podium
 (H)3.01 X (L)1.37m X (W)0.65m

Working Height
 4.0m

Platform Height
 2.0m

Tower Components

Item	Description	Quantity
1	Podium Mainframe	1
2	Self Closing Gates	1
3	Platform	1
4	Stabilisers	2
5	Ladder	1
6	Instruction Manual	1



Technical information:

Open Dimensions:	(H)3.01 X (L)1.37m X (W)0.65m
Storage Dimensions:	(H)3.01 X (L)1.37m X (W)0.26m
Platform Dimensions:	0.6m X 0.53m
Platform Height (ph):	1.75m 2.0m
Working Height (wh):	3.75m 4.0m
Maximum Working Load:	150kg
Weight:	48kg