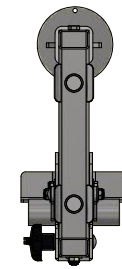
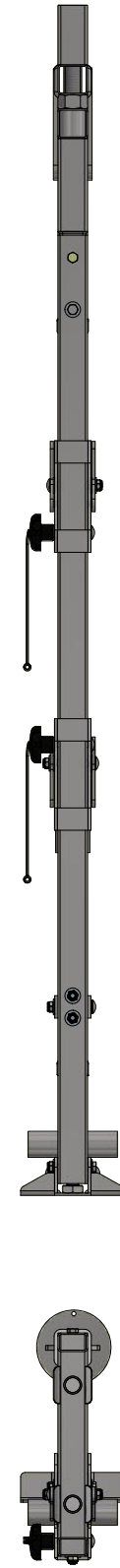
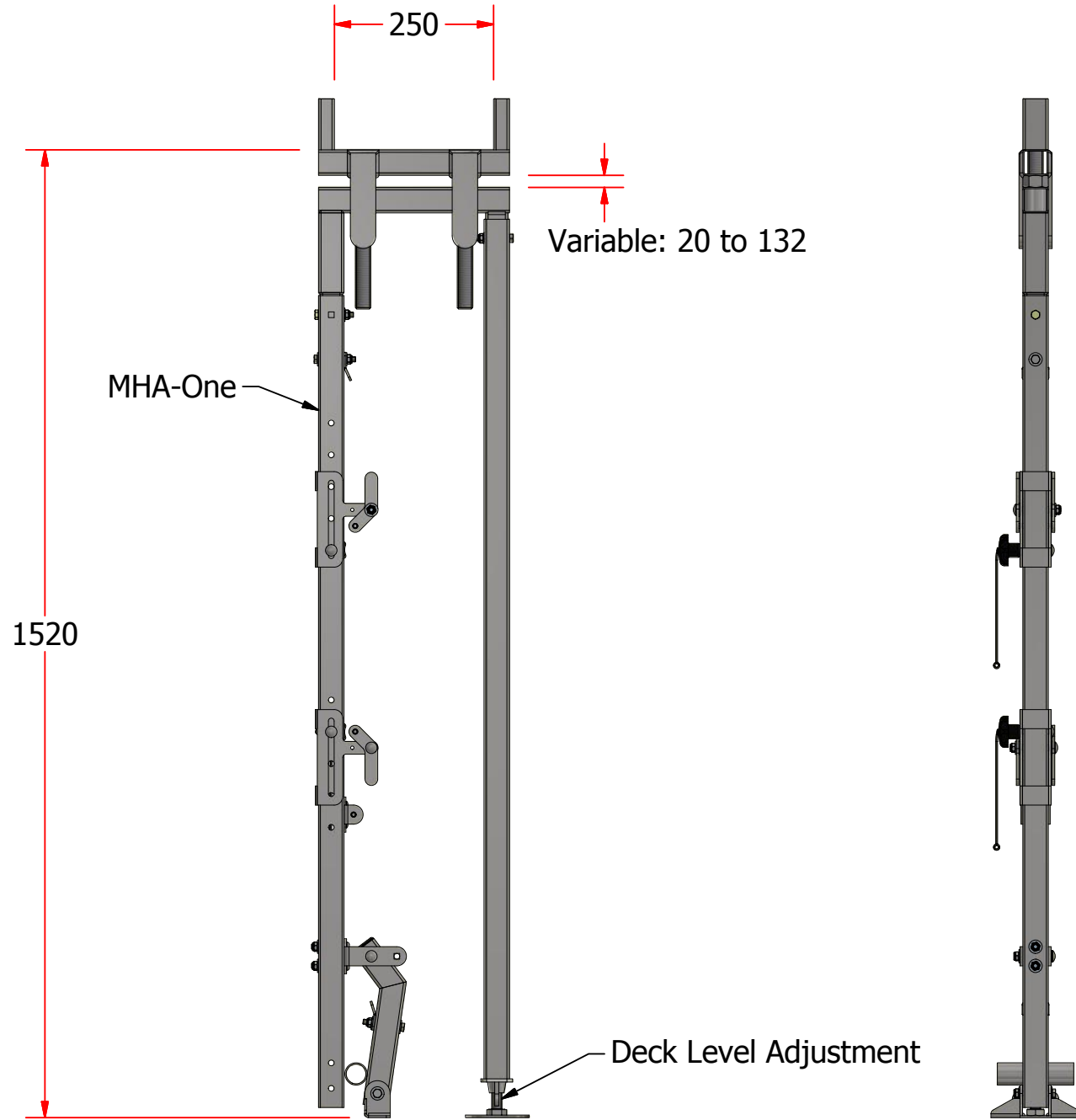
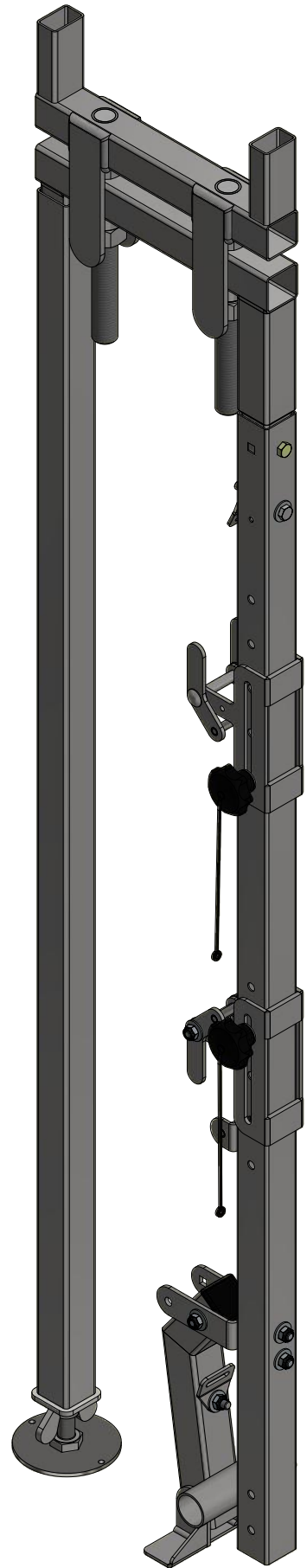
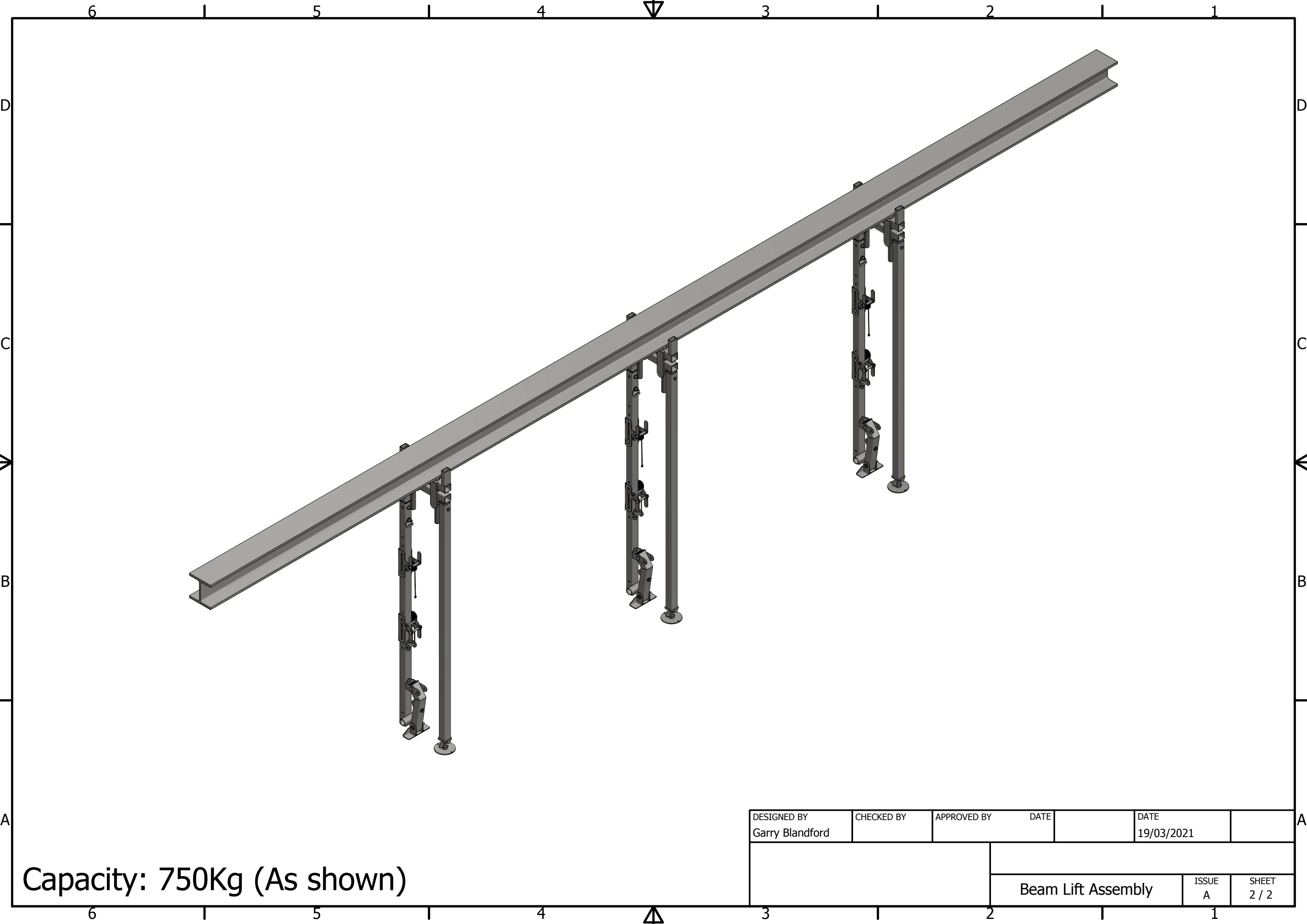


Weight: 14.5 Kg



Design Load: 250kg per Assembly

DESIGNED BY Garry Blandford	CHECKED BY	APPROVED BY	DATE	DATE 19/03/2021
			ISSUE A	SHEET 1 / 2



Capacity: 750Kg (As shown)

DESIGNED BY Garry Blandford	CHECKED BY	APPROVED BY	DATE	DATE 19/03/2021
			ISSUE A	SHEET 2 / 2