



Lectern T-6236

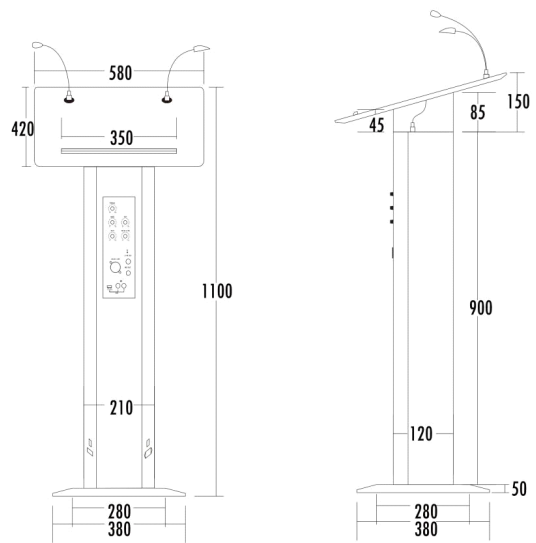
Lectern with Wireless VHF MIC T-6236B



T-6236



T-6236B



Description:

* Lectern is applied to lectures, teaching and conference, built-in 3 sub-woofer loudspeaker, one tweeter, with rated output power 60W, built-in microphone and a small desk lamp.

* One gooseneck Mic and one lamp.

* Built-in 60W amplifier.

* One line input, two microphone inputs, one line output, one record output.

* T-6236B With 2 VHF hand-held microphones capable of transmitting 100 meters. (T-6236B standard)

Specifications:

Model	T-6236	T-6236B
Power supply	~110V-230V 50/60Hz	
Power consumption	100W	
Frequency response	100Hz~16KHz	
Output Power	60W	
Input Sensitivity	MIC1: -50dB ±2dB1.5/680Ω; MIC2: -55dB ±2dB1.5/600Ω; LINE: -20dB ±2dB1.5/50Ω; Aux: 1.-20dB ±2dB1.5/10KΩ, 2.-15dB ±2dB1.5/30KΩ, 3.-10dB ±2dB1.5/50KΩ, 4.-3dB ±2dB1.5/80KΩ	
Record Output	1V/0dB	
Quality control	Bass:10dB/Treble:10dB	
Transmission distance	15~30M	
Dimensions (L x W x H)	580 x 420 x 1100 mm	
Weight	12.26Kg	