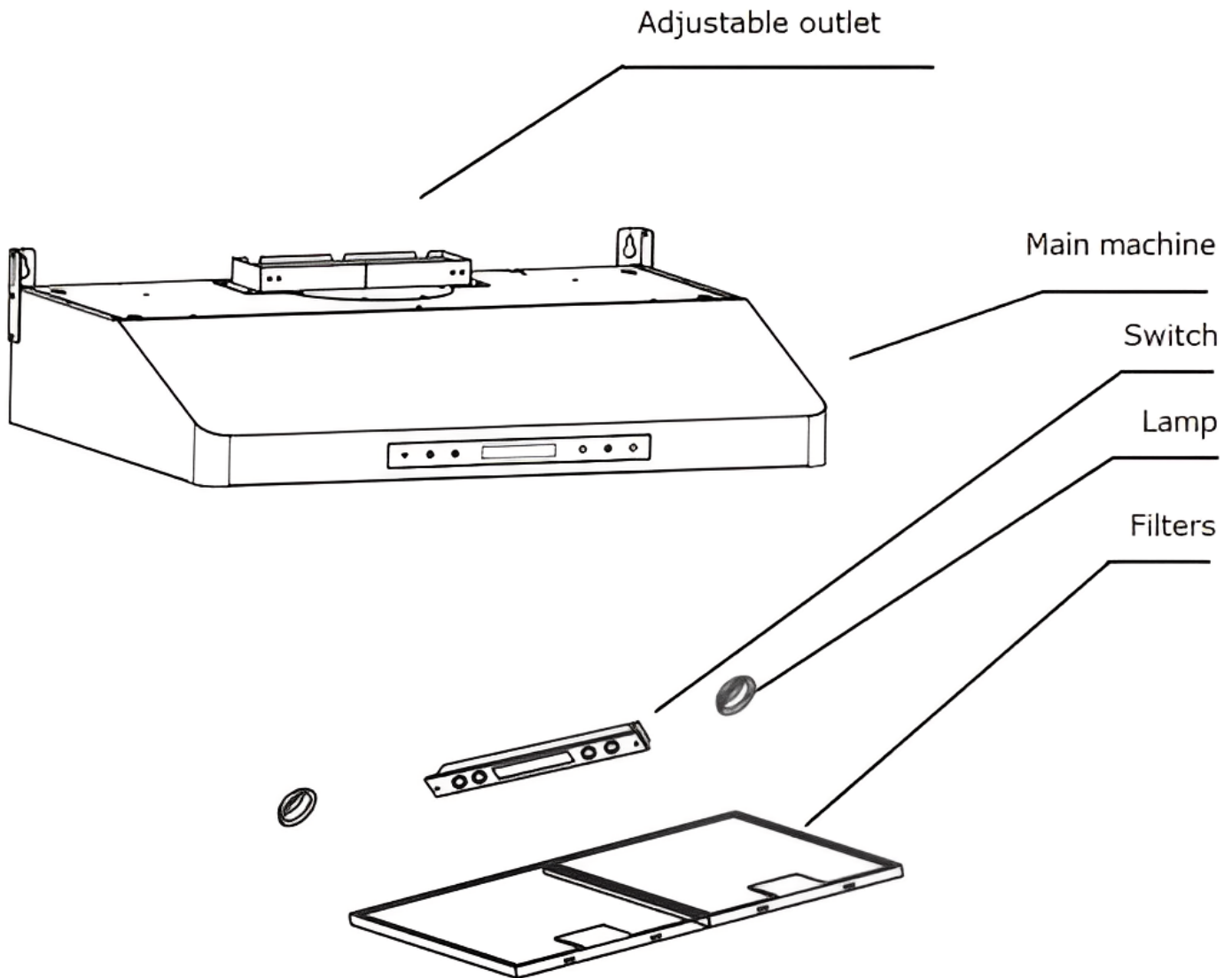
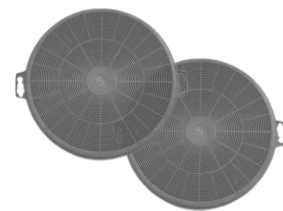


# Range Hood Overview

---

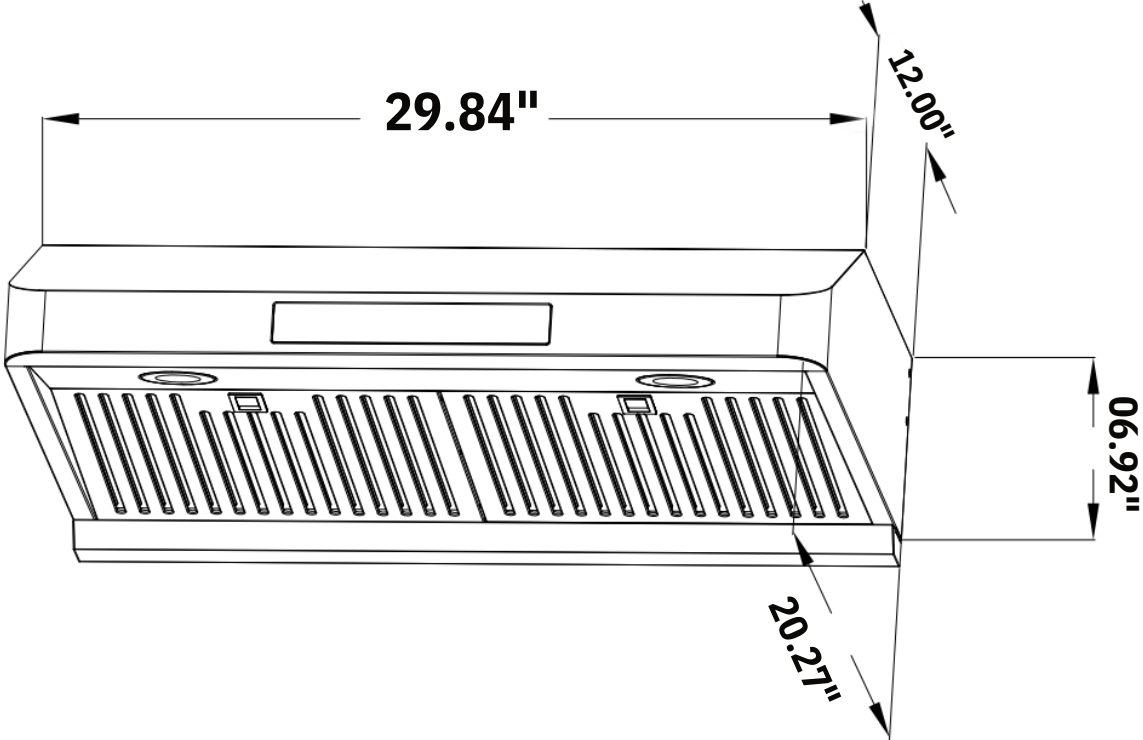


**\*NOTE:** Some RIAS range hood models may come with 2x carbon air filters included (pre-installed). Please check each blower under the baffle filters to confirm before use.

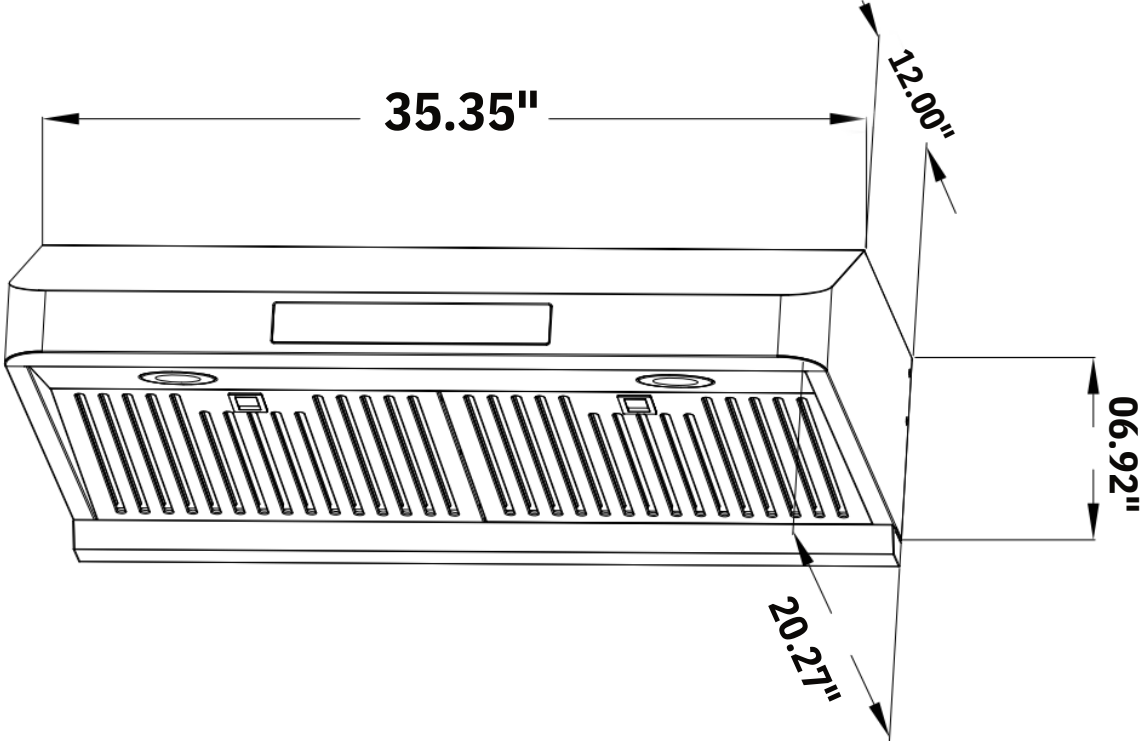


# Product Dimensions (RS-UCRH-S-30/36-1)

## RS-UCRH-S-30-1 (Dimensions in inches)



## RS-UCRH-S-36-1 (Dimensions in inches)



# Product Technical Parameters

---

<b>MODEL</b>	RS-UCRH-S-30-1	RS-UCRH-S-36-1
<b>Voltage</b>	110V	110V
<b>Frequency</b>	60Hz	60Hz
<b>Motor Power</b>	90W*2	90W*2
<b>Lamp Power</b>	≤ 2 X 2W	≤ 2 X 2W
<b>Air Volume</b>	600CFM	600CFM
<b>Noise Level</b>	< 62dB(A)	< 63dB(A)
<b>Air Output Diameter (Round)</b>	6 Inch	6 Inch

# Installation - Part 1 - Overview

## Pre-Installation Preparations

- Have the venting system go vertically from the range hood to the roof if possible.
- Have **24"-30" max distance between** the cooktop and the range hood. **27" is recommended.**
- Use uniformed duct(s) of 6" round duct or 3-1/4 x 10" rectangular duct or larger.
- Use metal-alloy vents only. A rigid metal vent is recommended. Semi-rigid aluminum vent is also acceptable for easy connection.
- Make sure there is a minimum of 24" of straight vent between the elbows if more than 1 elbow is used.
- Use minimal numbers of elbows and the shortest route for the venting system for a better performance.
- Use silver tap or duct tap to seal all joints in the venting system.
- Use caulking silicone to seal exterior wall or roof opening around the cap.
- Always keep the duct clean to ensure proper airflow.

## May Be Included

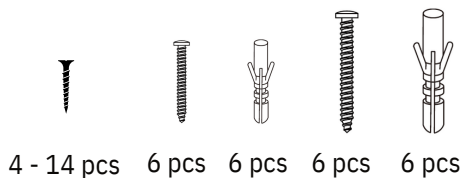
(Depending on Model. If not included **please purchase from 3rd party**)

Contact [customerservice@rias-usa.com](mailto:customerservice@rias-usa.com) for model-specific hardware details (type, sizes, etc.)

- 6 pcs - Large Screws
- 6 pcs - Large Wall Anchors
- 6 pcs - Medium Screws
- 6 pcs - Medium Wall Anchors
- 4 - 14 pcs - Small Screws
- 2 pcs - Metal Mounting Brackets
- 6" round aluminum duct

AND/OR

- 3-1/4" x 10" square aluminum duct



## Vent Sizes

- For circle duct models: This range hood is 6" top venting through the roof or wall.
- For rectangle duct models: This range hood is 3-1/4 x 10" top or rear venting through the roof or wall.

## Do Not

- End the venting system in an enclosed area indoors.
- Use a plastic or non-metal alloy style vent
- Use no more than three 90° elbows.
- Install 2 elbows together.
- Install the range hood outside of the recommended height.
- Reduce the duct size below the recommended size.

**THESE ARE ONLY ADVISED METHODS. RIAS FIRMLY ADVISES THE CUSTOMER HIRE A PROFESSIONAL INSTALLER, AND RIAS DOES NOT TAKE RESPONSIBLITIY FOR FAULTY INSTALLATION METHODS. CUSTOMER INSTALLS AT THEIR OWN RISK.**

# Installation - Part 2 - Under Cabinet

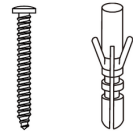
---

## SKIP TO STEP 3 IF YOU NEED TO WALL MOUNT

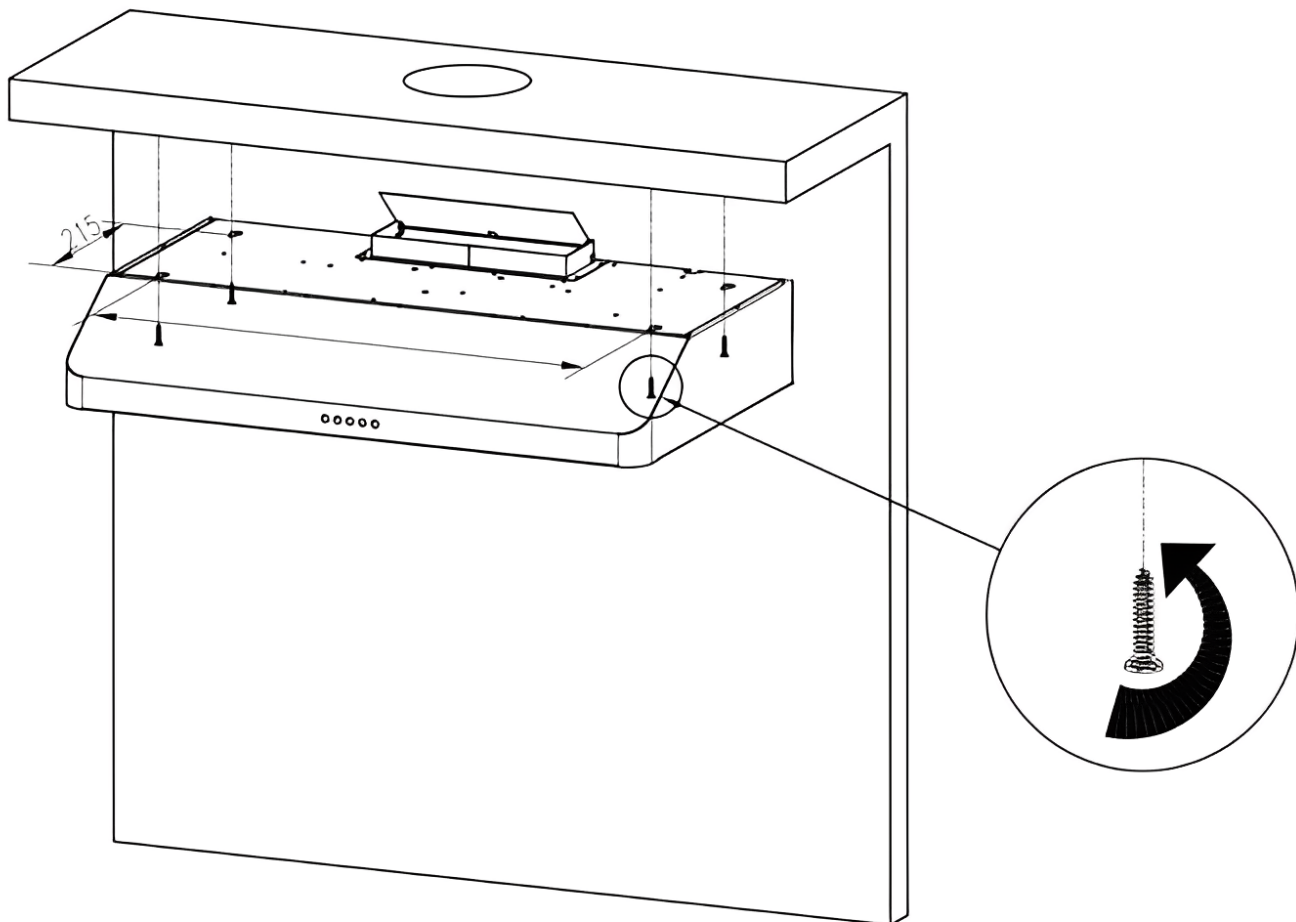
- 1)** Assess available hardware and drill 4 holes on the bottom of the cabinet where installation is planned to occur.
- 2)** Utilize the largest, most sturdy hardware / screws available (if included) to mount the range hood under cabinet. (Img. 1)

REQUIRED HARDWARE  
THAT MAY BE INCLUDED:

- LARGE SCREWS



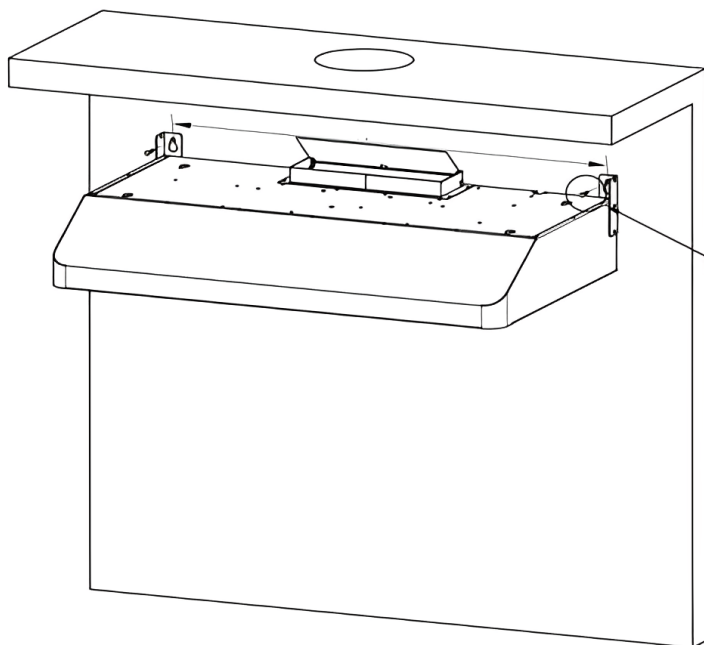
Img. 1



# Installation - Part 3 - Wall Mounted

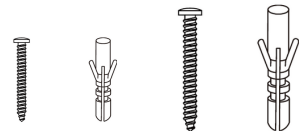
- 1)** Drill two screw holes to fit the included mounting brackets, and affix the brackets positioned behind the unit with adequate wall anchoring. (Img. 1)
- 2)** Assure the two mounting brackets are firmly affixed to the wall using the included screws and cement mounting brackets.
- 3)** Proceed to attach range hood to the attached mounting brackets accordingly.
- 4)** Use the included larger screws and plastic expansions behind the unit to strengthen the overall stability of the range hood. (Img. 2)

Img. 1

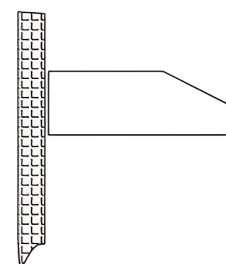
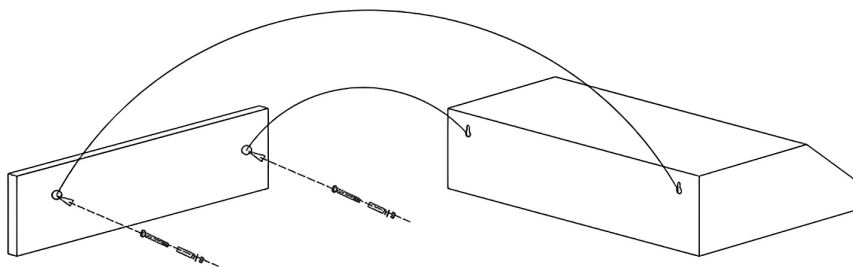


## REQUIRED HARDWARE THAT MAY BE INCLUDED:

- LARGE SCREWS
- MEDIUM SCREWS
- MOUNTING BRACKETS



Img. 2



# Installation - Part 4 - Installation Vent Type

---

## REAR VENTING INSTALLATION

- 1)** Use 10 small screws to install the included top sealing plate to the open venting hole at the top of the range hood.
- 2)** Remove the 6 screws from the rear of the range hood holding the sealing plate onto the unit. Remove the sealing plate and store away for future use. (DO NOT DISCARD)
- 3)** Use the included small screws to install the rear square air duct outlet vent attachment.

## TOP VENT INSTALLATION

- 1)** Depending on your kitchen vent direction, choose either the square or round air duct outlet vent attachment, which are both included.
- 2)** Install the desired air duct outlet vent attachment onto the top of the range hood by using the small screws to attach it firmly.
- 3)** Make sure to re-install the rear sealing plate back onto the unit (if it was removed prior.)

REQUIRED HARDWARE THAT  
MAY BE INCLUDED:

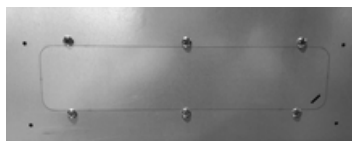
- SMALL SCREWS



TOP SEALING PLATE



REAR SEALING PLATE



ROUND AIR DUCT VENT



SQUARE AIR DUCT VENT

