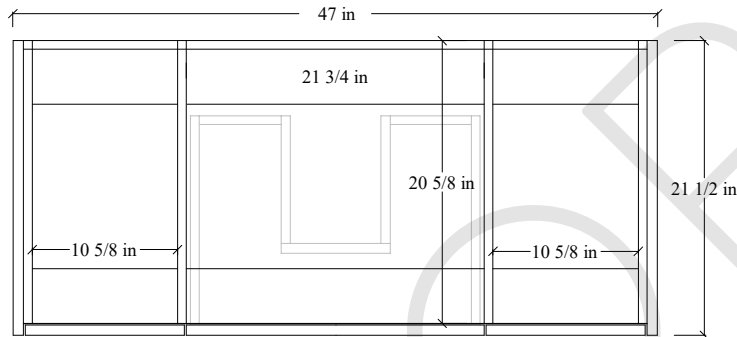
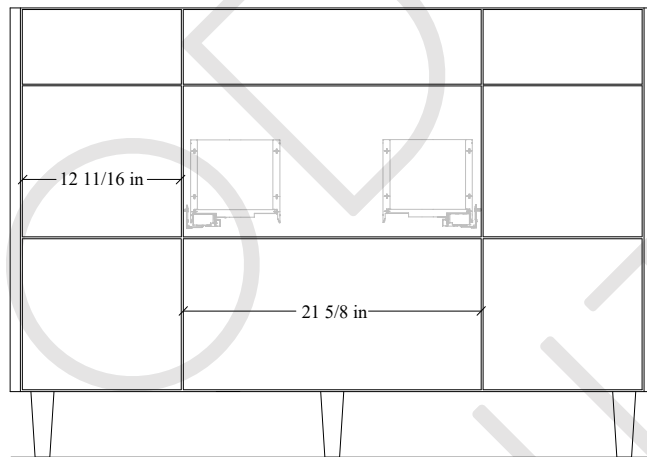


# 48" ASHER FREE STANDING VANITY

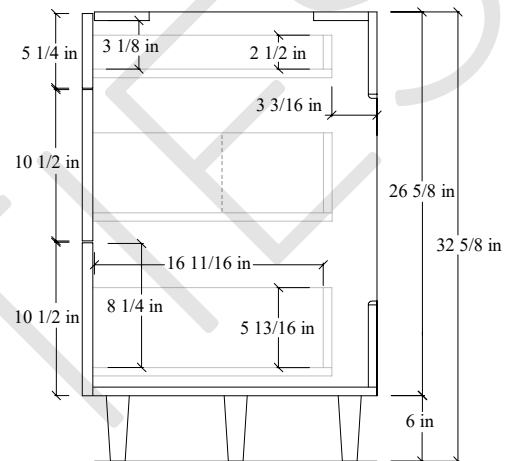
TOP VIEW



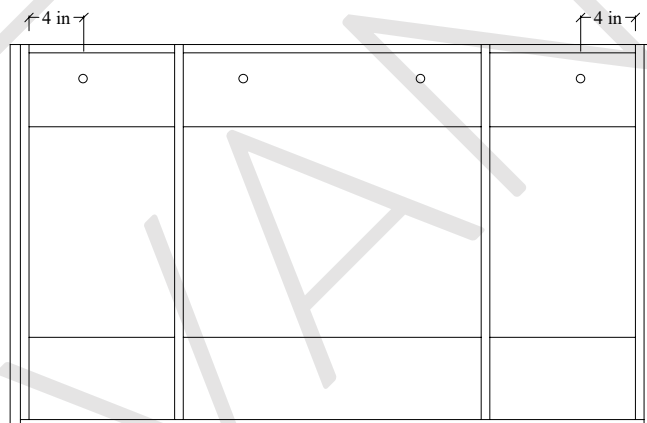
FRONT VIEW



SIDE VIEW



INSIDE BACK VIEW

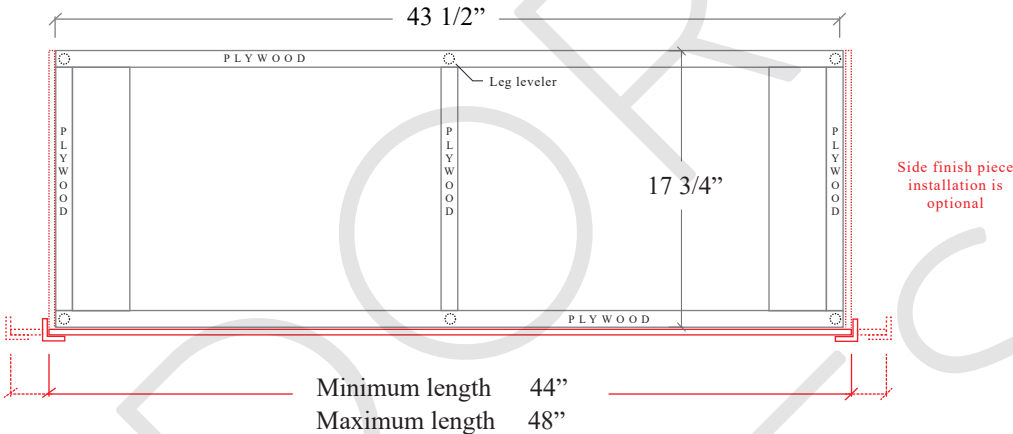


Secure vanity to studs within 4"  
← from side gables.

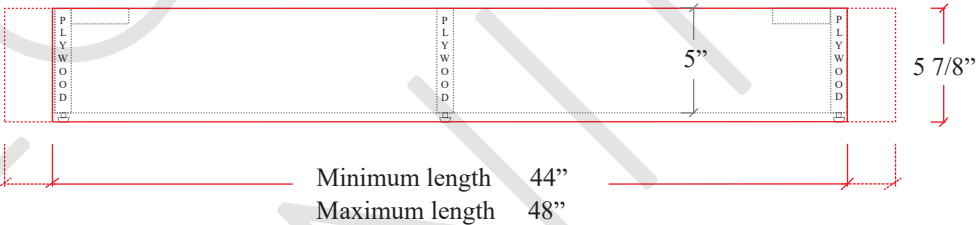
# 48" TOE KICK

- Finish piece (1/4" thick)
- Plywood base (3/4" thick)

TOP VIEW



FRONT VIEW



SIDE VIEW

