

LEMON



Drapery Table
by Yaniv Chen
Tear Sheet

Available Materials

Travertine

Top – Honed, filled and sealed

Base – Unfilled

Product Dimensions

1300Ømm x 780mm (51' x 31')

1600Ømm x 780mm (62' x 31')

1800Ømm x 780mm (70' x 31')

Package Dimensions

Top 1550mm x 1550mm x 900mm (155kg)
(61' x 61' x 35.4' (341.7lbs))

Base 700mm x 700mm x 900mm (90kg)
(27.5' x 27.5' x 35.4' (198.4lbs))

Top 1750mm x 1750mm x 900mm (225kg)
(68.9' x 68.9' x 35.4' (496lbs))

Base 700mm x 700mm x 900mm (240kg)
(27.5' x 27.5' x 35.4' (198.4lbs))

Top 1950mm x 1950mm x 900mm (285kg)
(76.7' x 76.7' x 35.4' (628lbs))

Base 700mm x 700mm x 900mm (255kg)
(27.5' x 27.5' x 35.4' (198.4lbs))

Made in Italy

Care and Cleaning Instructions

Our marble surfaces display the unique markings and color variations of pure, unfinished stone. Clean on a regular basis. Rinse out your sponge or cloth with plain hot water and wipe away any residue from the surface. If you have streaks and a dull finish, it may be because there is still soap residue on the surface. Rinse the sponge or cloth again with hot water and wring it out thoroughly to remove most of the excess water. Wipe over the surface again to remove any residue. As a natural material marble & travertine are sensitive to liquids and if not removed immediately, spilled liquids will leave a permanent stain on the table top.

Assembly

This product ships in two parts. Professional installation is required due to weight of top and base. Always check access to site.

Drapery Table

Distinguished for his signature sense of nostalgia, designer Yaniv Chen recalls the influences behind the Drapery Table—a one-of-a-kind piece crafted in Italy from a single block of Travertine Navona. First inspired by a room photographed by Nan Goldin in 2010, which evoked fond memories of his grandmother's home, it featured a grand entrance hall table draped in luxurious jacquard fabric that fell to the floor, waving and scalloping.



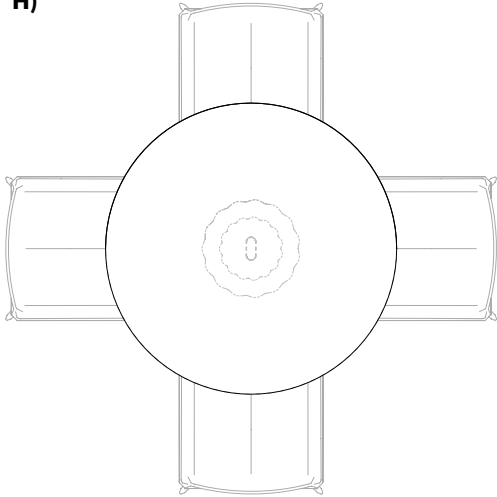
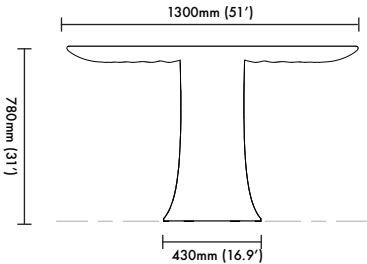
Travertine
(Filled, honed & sealed)

*Additional marble and travertine options available on request

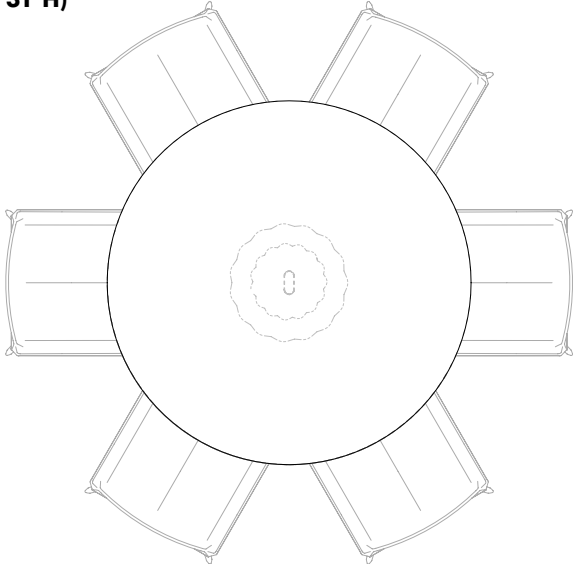
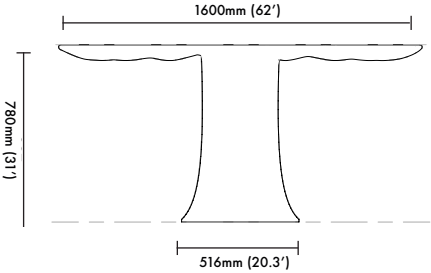
** The Drapery table is made from one block of Travertine. The top is cross cut giving it a soft milky appearance and the base is vein cut which highlights the veins of the Travertine,

Drapery Table

Size (1300Ø x 780H)
(51'Ø x 31'H)

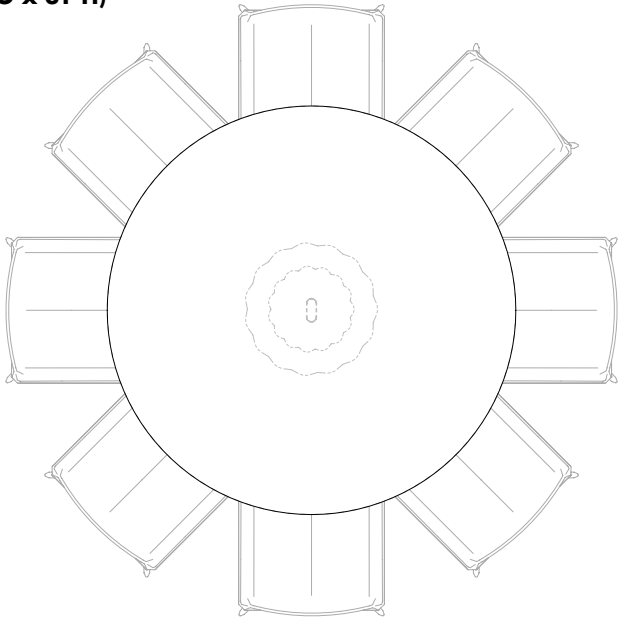
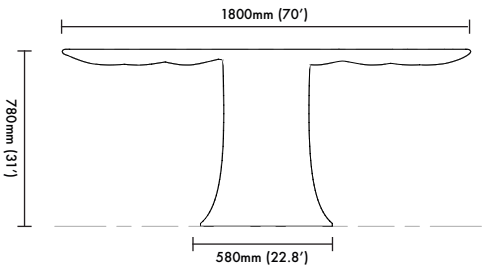


Size (1600Ø x 780H)
(62'Ø x 31'H)



Drapery Table

Size (1800Ø x 780H)
(70'Ø x 31'H)



www.lemonfurniture.co
info@lemonfurniture.co

Herengracht 141
1st Floor
1015BH
Amsterdam

Cape Town
212A Buitengracht St.
City Centre
Cape Town
South Africa