

L E M O N



Ashby Side Table
by Kevin Frankental
Tear Sheet

Materials

Travertine (Filled, honed & sealed)

Red Travertine (Filled, honed & sealed)

Bianco Carrara (Honed & sealed)

Product Dimensions

450Ømm x 470mm (23kg)

(17.7' x 18.5' (50.7lbs))

Package Dimensions

610mm x 590mm x 720mm (50kg)

(24' x 23.2' x 28.3' mm (110lbs))

Care and Cleaning Instructions

Our marble surfaces display the unique markings and color variations of pure, unfinished stone. Clean on a regular basis. Rinse on a regular basis. Rinse out your sponge or cloth with plain hot water and wipe away any residue from the surface. If you have streaks and a dull finish, it may be because there is still soap residue on the surface. Rinse the sponge or cloth again with hot water and wring it out thoroughly to remove most of the excess water. Wipe over the surface again to remove any residue. As a natural material marble & travertine are sensitive to liquids and if not removed immediately, spilled liquids will leave a permanent stain on the table top.

Assembly

This product ships assembled.

Ashby Side Table

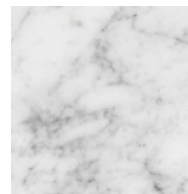
Inspired by the grandeur of Ancient Greek ruins, the Ashby side table boasts an elegantly simple design meticulously crafted to showcase and accentuate the exquisite allure of travertine and marble materials.



Travertine
(Filled, honed & sealed)



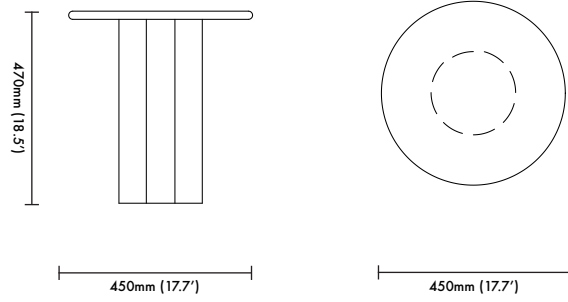
Red Travertine
(Filled, honed & sealed)



Bianco Carrara
(Honed & sealed)

Ashby Side Table

Size (450Ø x 470H)
(17.7'Ø x 18.5'H)



www.lemonfurniture.co
info@lemonfurniture.co

Herengracht 141
1st Floor
1015BH
Amsterdam

Cape Town
212A Buitengracht St.
City Centre
Cape Town
South Africa