

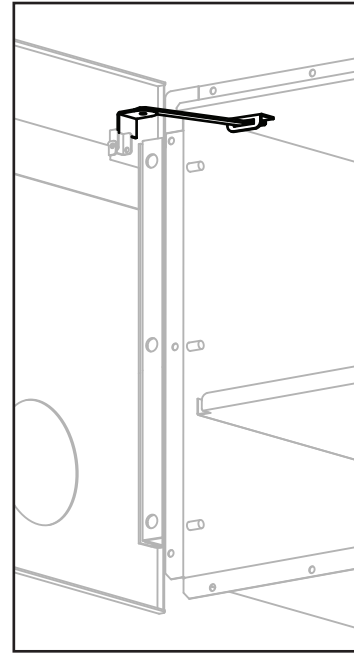
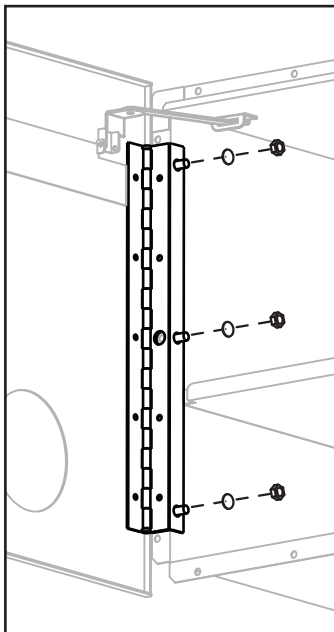
Installation

Stella is made to receive general mail and parcels.

Before attaching the front panel, the body (back box) needs to be installed into your fence or wall. For detailed guidance, please refer to the instruction sheet included with your back box.

STEP 1

Insert the locking arm by positioning it through the guide slot.



STEP 2

Match up the hinge holes with the respective studs and fasten the hinge securely using the provided washers and nuts.

Using Your Parcel Letterbox

This parcel letterbox is specially designed to accommodate both regular mail and parcels. Parcels measuring up to 18 x 21 x 30cm can be easily delivered using the combination lock feature. Couriers can conveniently access the front door by entering the assigned combination code. After placing the parcel inside, they can close the door and re-engage the combination lock.

Many courier services allow the inclusion of special delivery instructions along with a parcel. When making a purchase for delivery, remember to communicate the specific instruction for opening the combination lock.

For example, if the lock code is set to 321, your parcel letterbox delivery instruction could be: "PLEASE PLACE PARCEL IN LETTERBOX. USE CODE 321 TO OPEN."