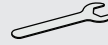


### What's in the box



1 x Front panel

1 x Mounting bracket



1 x Spanner



7 x Nuts



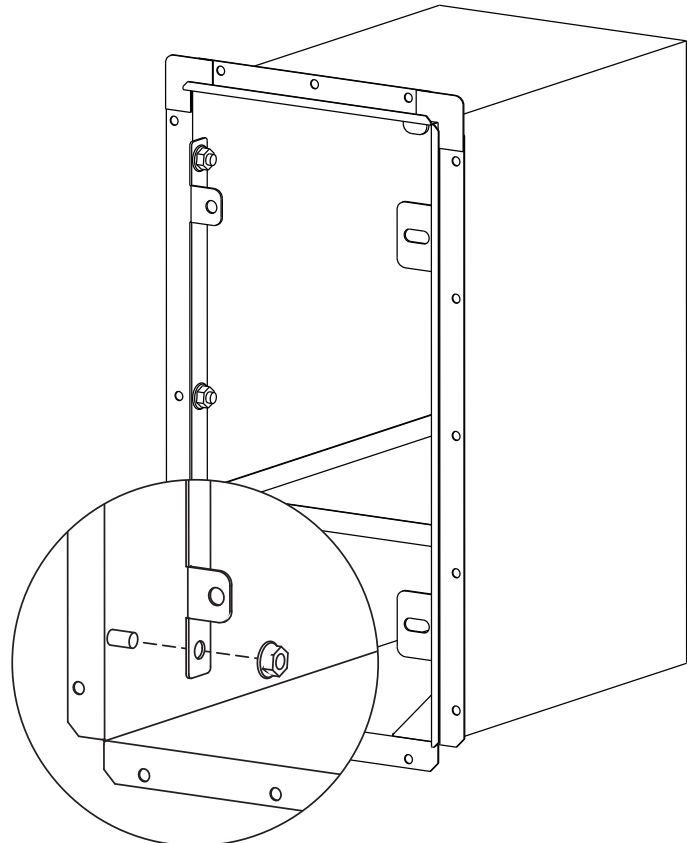
2 x Mounting clips

Before proceeding to attach the front panel, ensure that you have already installed the rear box/sleeve into your wall/fence. To guide you through the process, refer to the instruction sheet that comes along with your rear box/sleeve.

### Installation

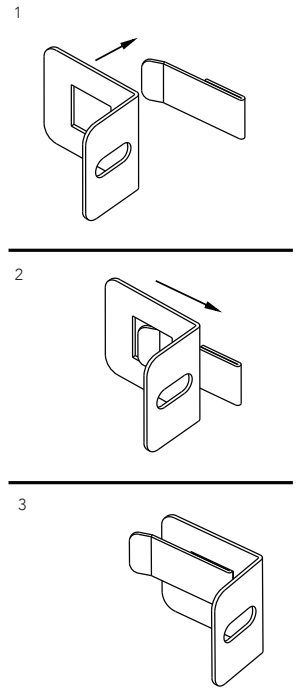
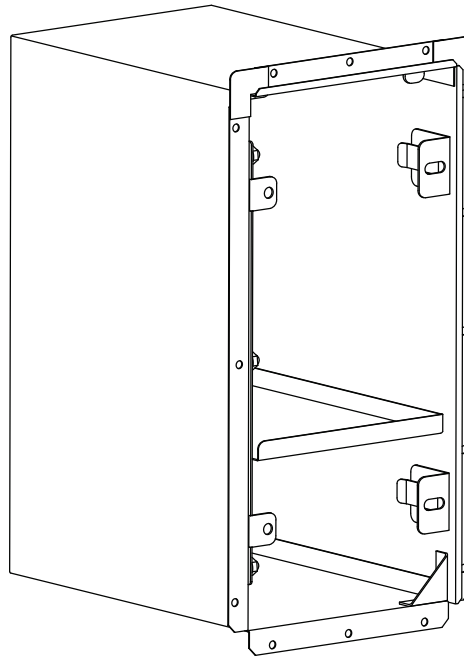
#### STEP 1

Securely attach the mounting bracket to the three studs using the provided nuts.



## STEP 2

Mount the mounting clips on the right side of the rear box/sleeve.  
Please follow pictures 1, 2, and 3 for a detailed explanation on how to securely fasten the mounting clips (refer to the illustration on the right).



## STEP 3

Fasten the front panel securely using the provided nuts.

