

Installation

The Orisson letterbox is designed to accommodate general mail. For proper installation, it is essential to place it in a location that is easily accessible to Australia Post and couriers. Typically, the recommended location would be at your front boundary, ensuring convenient access for deliveries.

What's in the box:

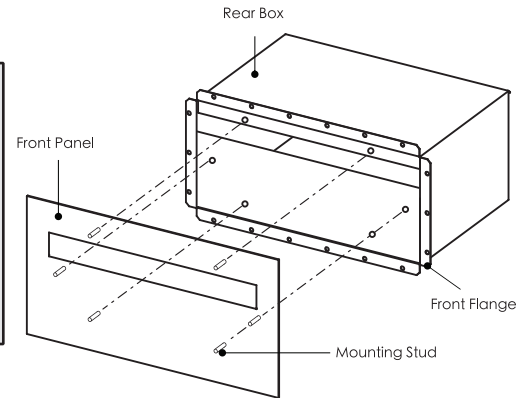
- 1 x Front Panel
- 1 x Rear Box
- 1 x Accessories Bag

Tools Required:

- Drill
- Timber Drill Bits
- Tape Measure
- Jigsaw

Choosing a suitable location

You will need to install it in a location that is easily accessible to Couriers

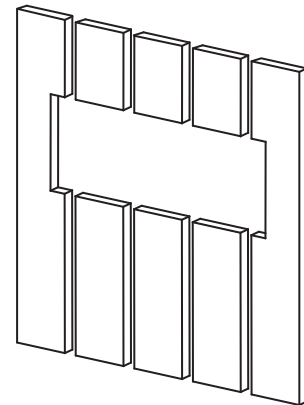


FOR FENCE

STEP 1

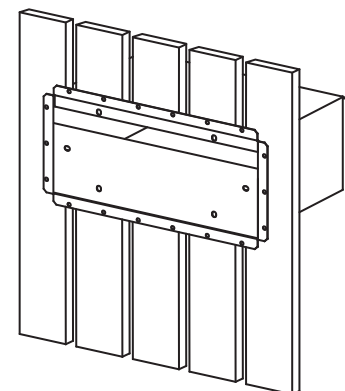
To install the letterbox, begin by measuring its body's dimensions accurately. Then, proceed to cut a hole in your fence that is slightly larger than the letterbox body to ensure a proper fit.

For the mail slot, it is best to position it at an ideal height between 90 to 120cm from the ground. However, it can also be installed as low as 60cm if necessary.



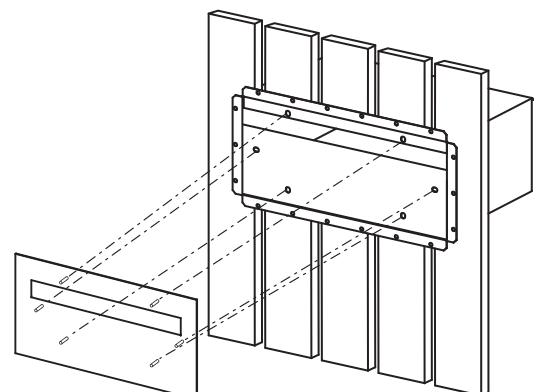
STEP 2

Slide the letterbox body in through the front of the fence. Then, use the screws provided to secure it to the fence. If you have a hardwood fence, it is recommended to pre-drill the screw holes to make the process easier and prevent any potential splitting or damage to the wood.



STEP 3

Attach the front panel to the letterbox and secure it from inside using the washers and nuts provided. For detailed instructions, please refer to the instruction sheet included with your Front Panel.



FOR BRICK

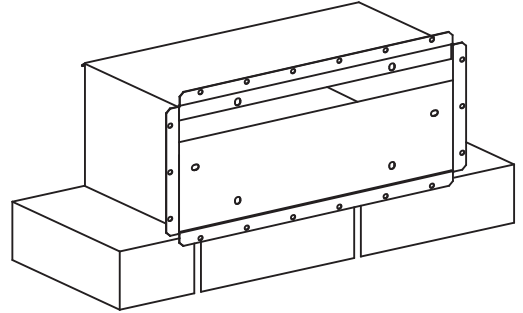
STEP 1

Construct the brickwork up to the desired level, and carefully position the letterbox in place.

Ensure that the mounting studs are positioned on the left side of the letterbox.

For plain brick walls, adjust the front flanges to sit flush with the wall surface.

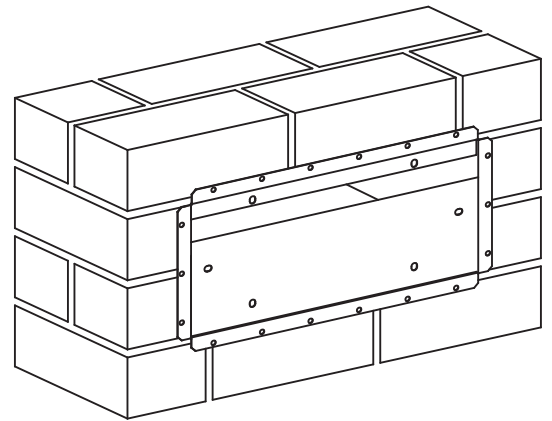
For rendered walls, position the front flanges in a way that they will align with the finished rendered surface when applied.



STEP 2

Finish the remaining brickwork around the letterbox, ensuring it is completed appropriately.

When rendering, take care not to cover the front flanges. The finished render surface must align flush with the front flanges; otherwise, the door may not function properly.



STEP 3

After finishing the brickwork and any rendering, ensure the area is clean and ready for the next step. Then, proceed to attach the front panel following the instructions provided in the included Front Panel instruction sheet.

