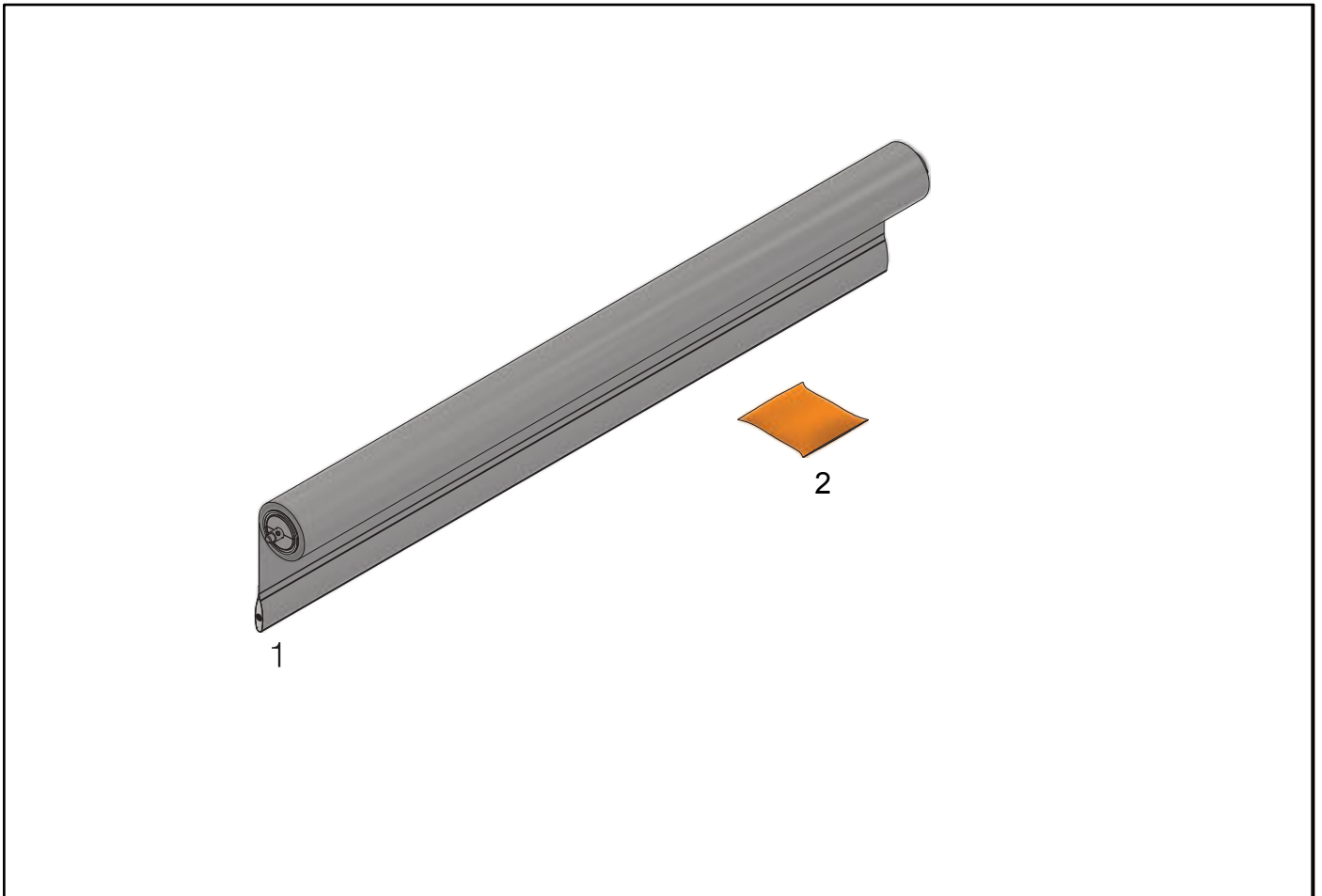




## Thank you for choosing CoolGlass

Please unpack the delivery and check you have:

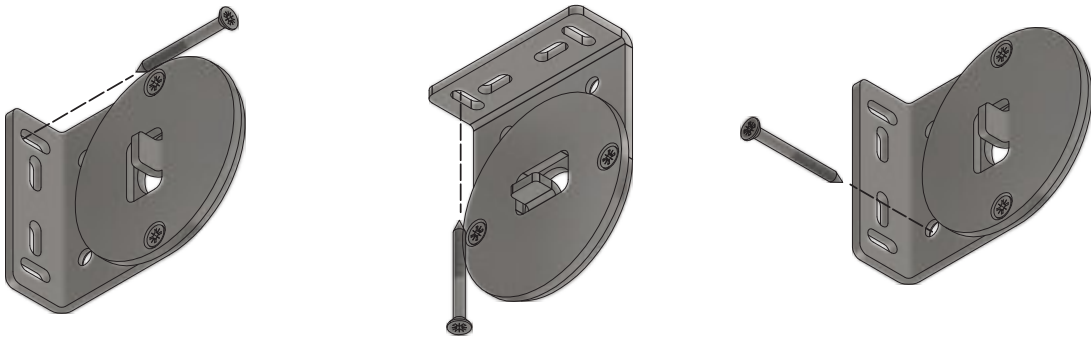


1. 1x roller blind
2. 1x orange bag containing brackets & any other components necessary

## STEP 1

Fitting your brackets (for non-cassette blinds).

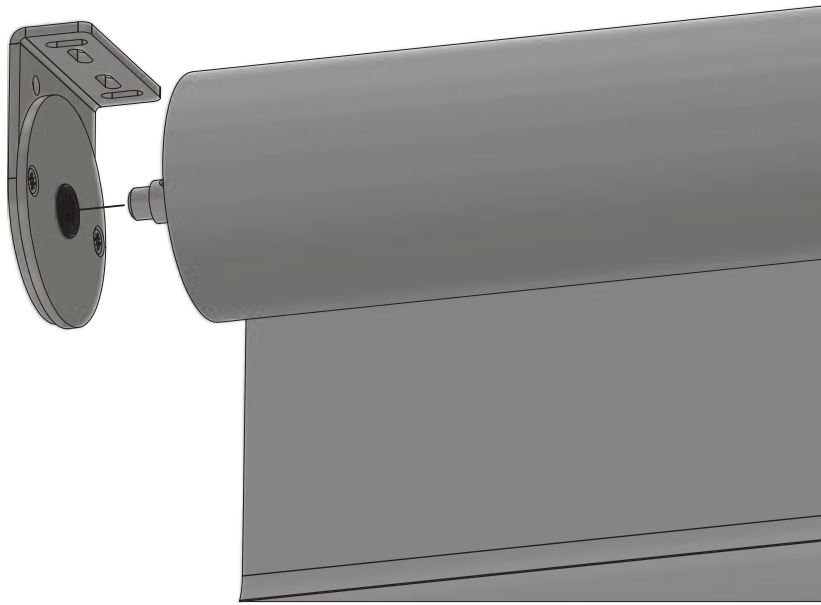
Fit your brackets in place using fixings suitable for your fixing ground. There are 3 available fixing options, as shown below.



## STEP 2

Fitting the bearing end.

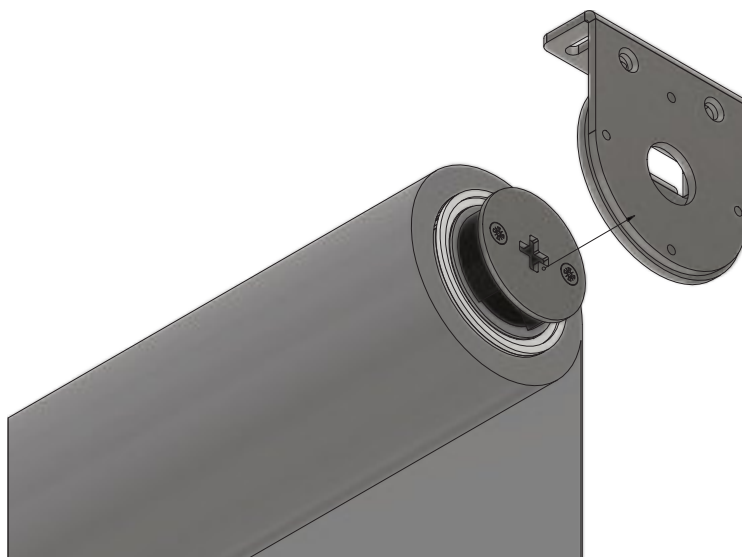
Engage the spring-loaded bearing in the bracket, and compress the spring.



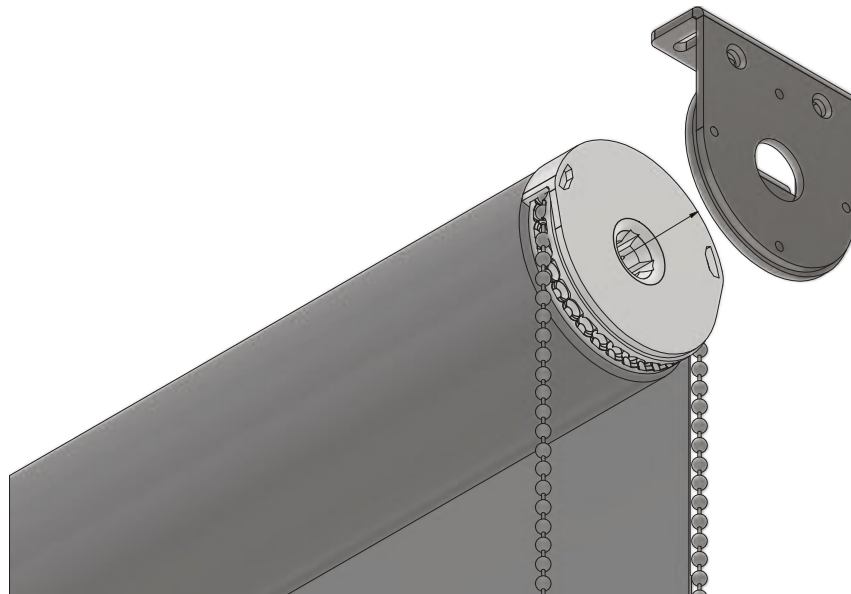
## STEP 3

Fitting the control end.

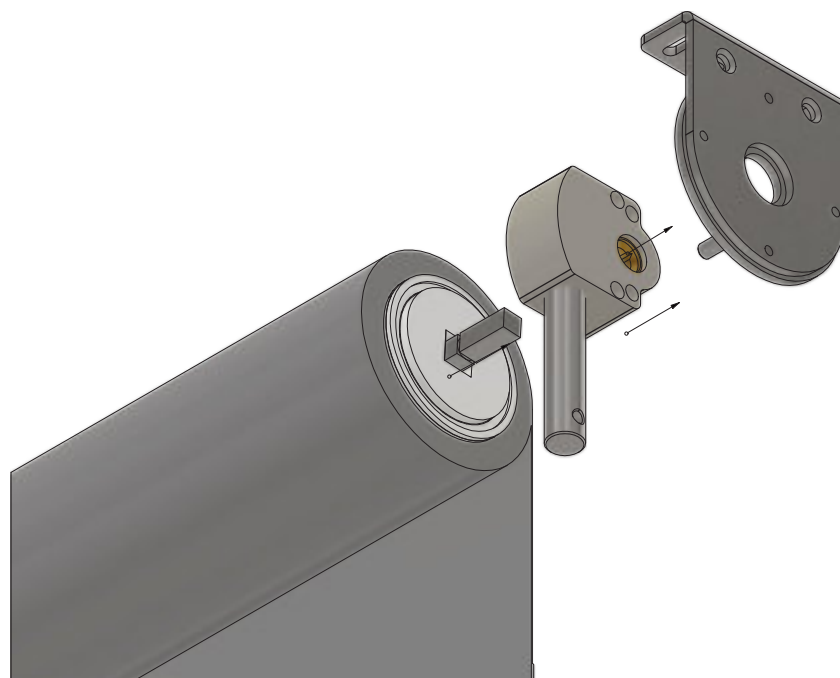
For a motorised blind, engage the motor plate with the bracket, ensuring the cable is exiting in your desired direction



For a chain blind, engage the chain mechanism with the bracket.



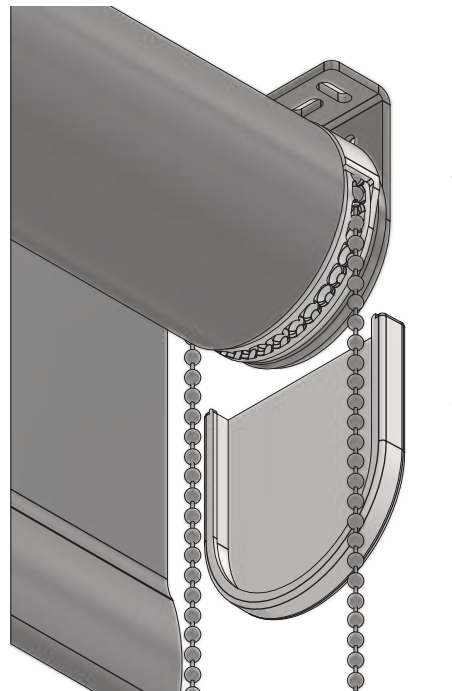
For a crank-operated blind, ensure the gear is engaged on the bracket in your desired orientation, then engage the pin in the end of the blind with the gear.



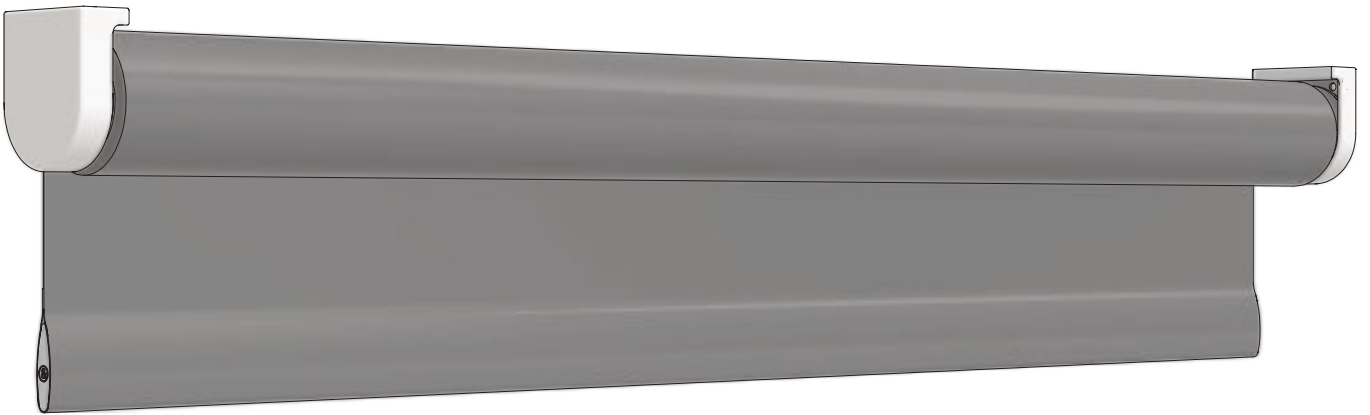
## STEP 4

Fit the bracket covers (for non-cassette blinds).

For manual blinds, slide the bracket cover onto the bracket, and repeat for the other side of the blind



**Your installation is now complete.**





**CoolGlass**  
GlazingEnhancements

## PLEASE FEEL FREE TO GET IN TOUCH

---

☎ 01673 818 157

✉ [sales@coolglass.co.uk](mailto:sales@coolglass.co.uk)

🌐 [www.coolglass.co.uk](http://www.coolglass.co.uk)