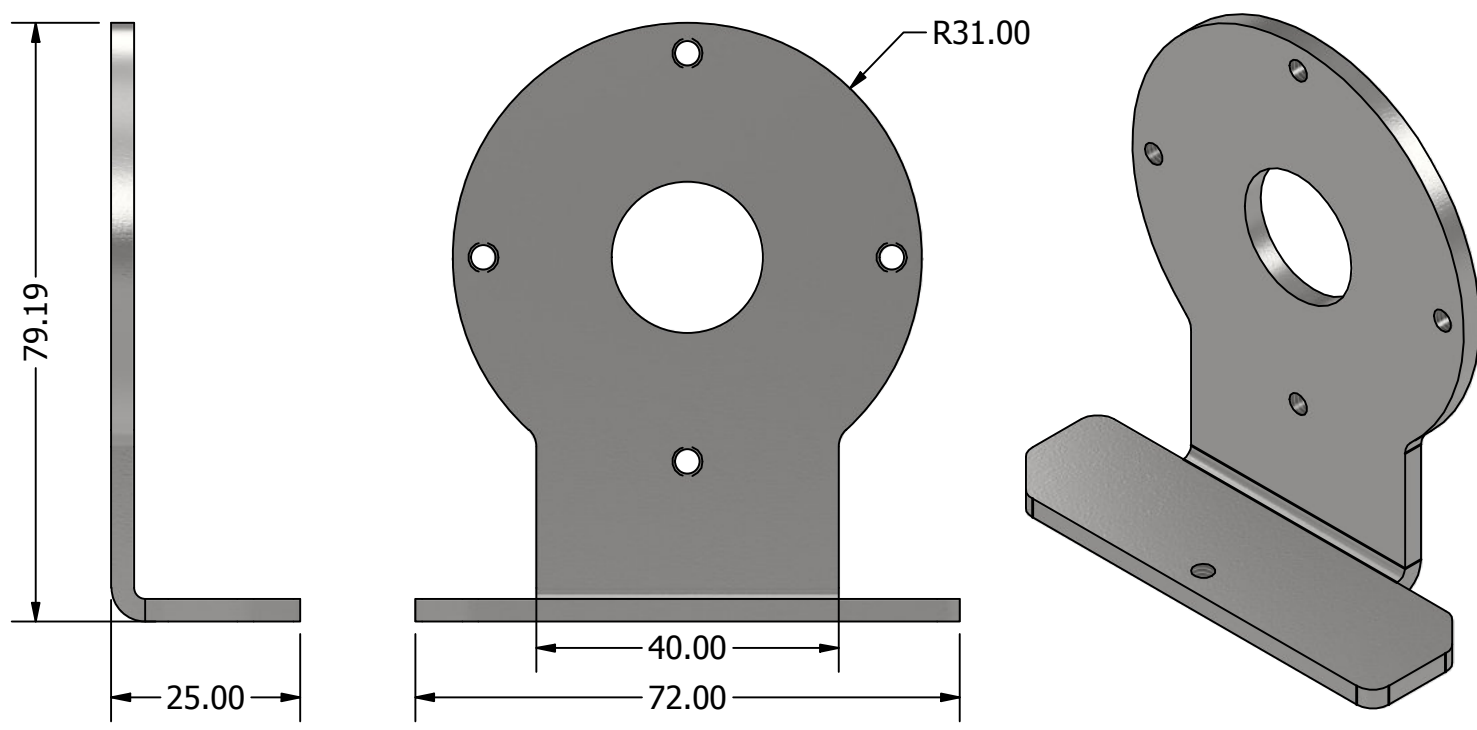
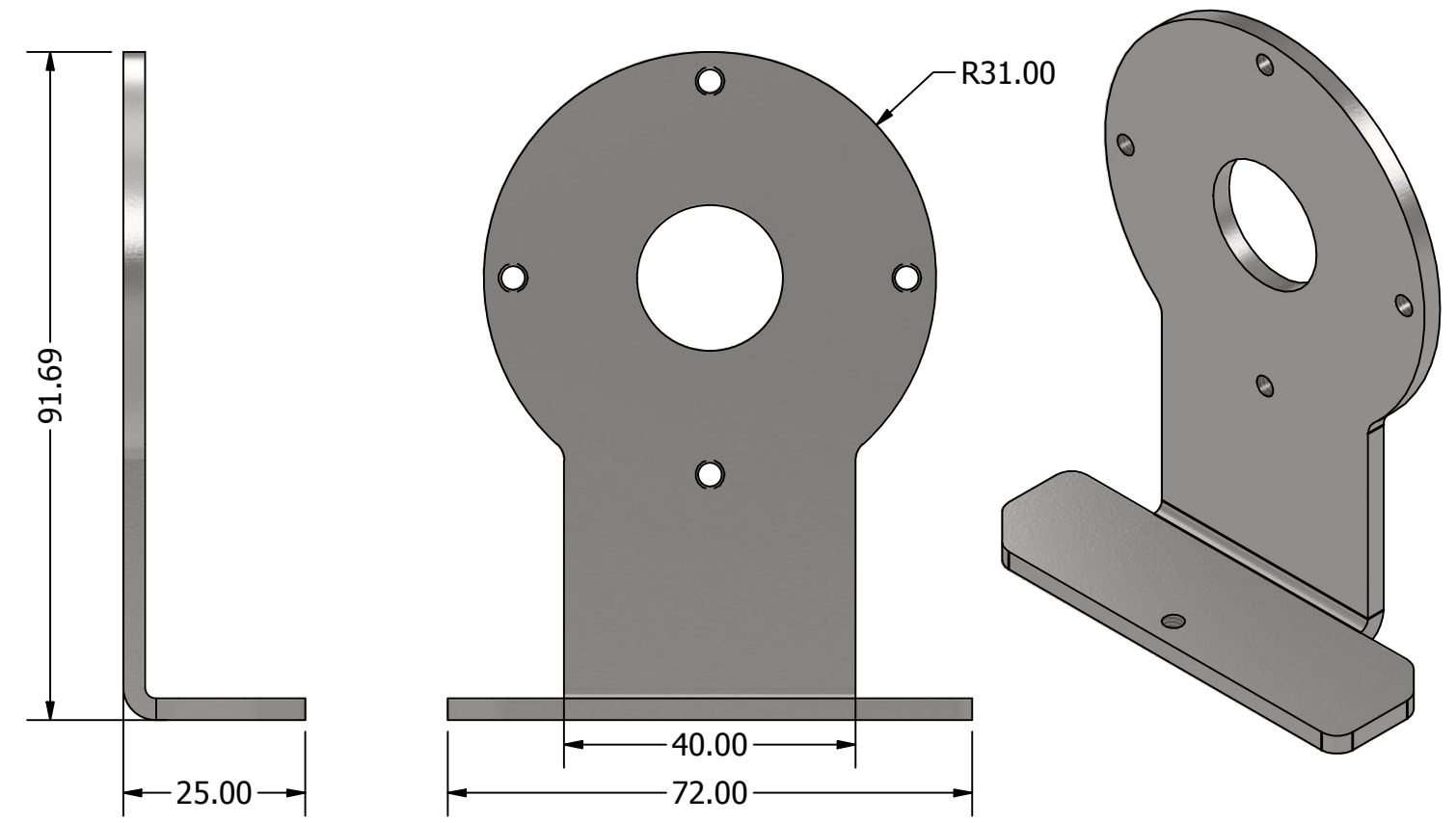



Cassette 80 base bracket (for KuroLok 80 & Cassette 80)
TR1080

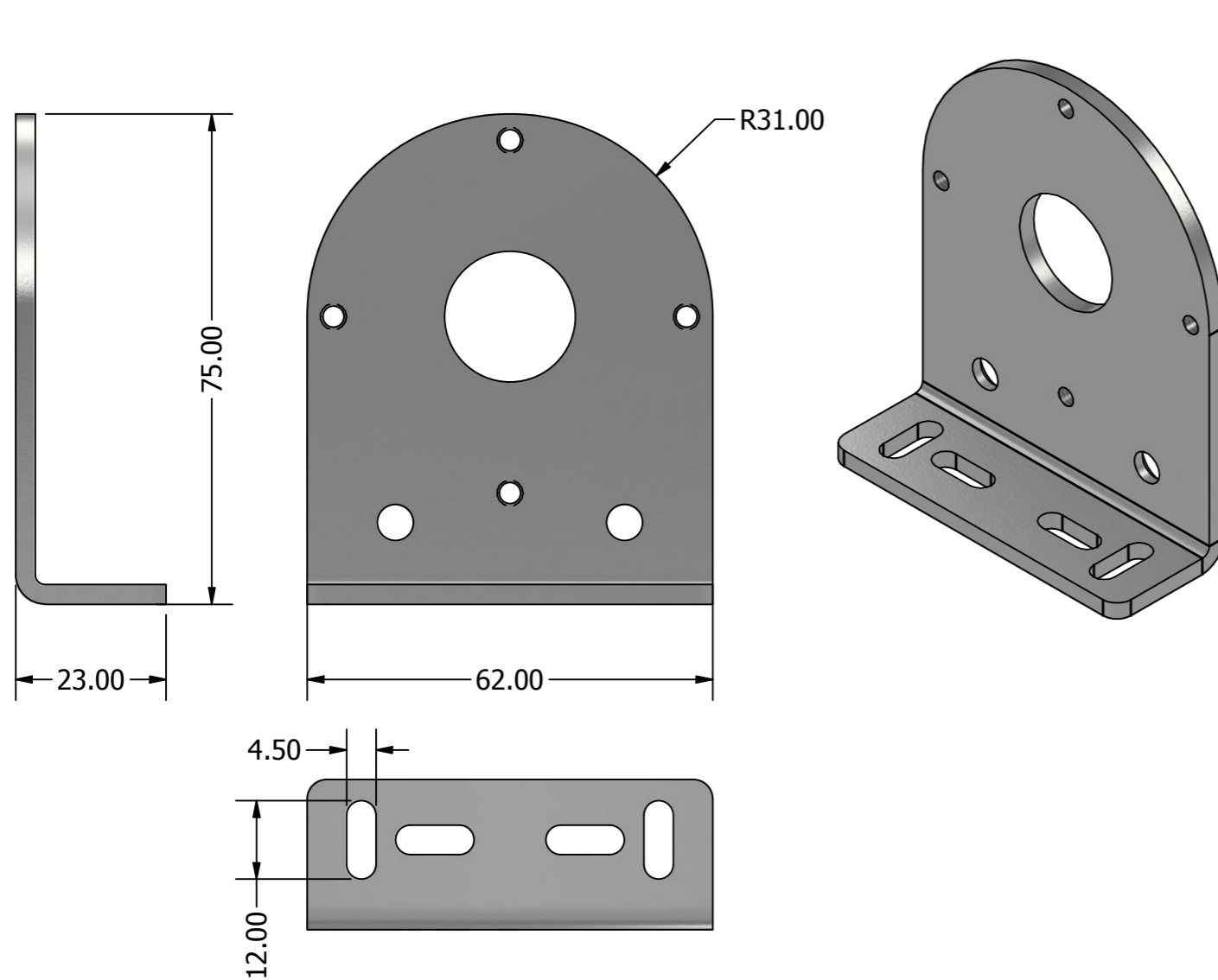


Cassette 100 base bracket (for KuroLok 100 & Cassette 100)
TR2100

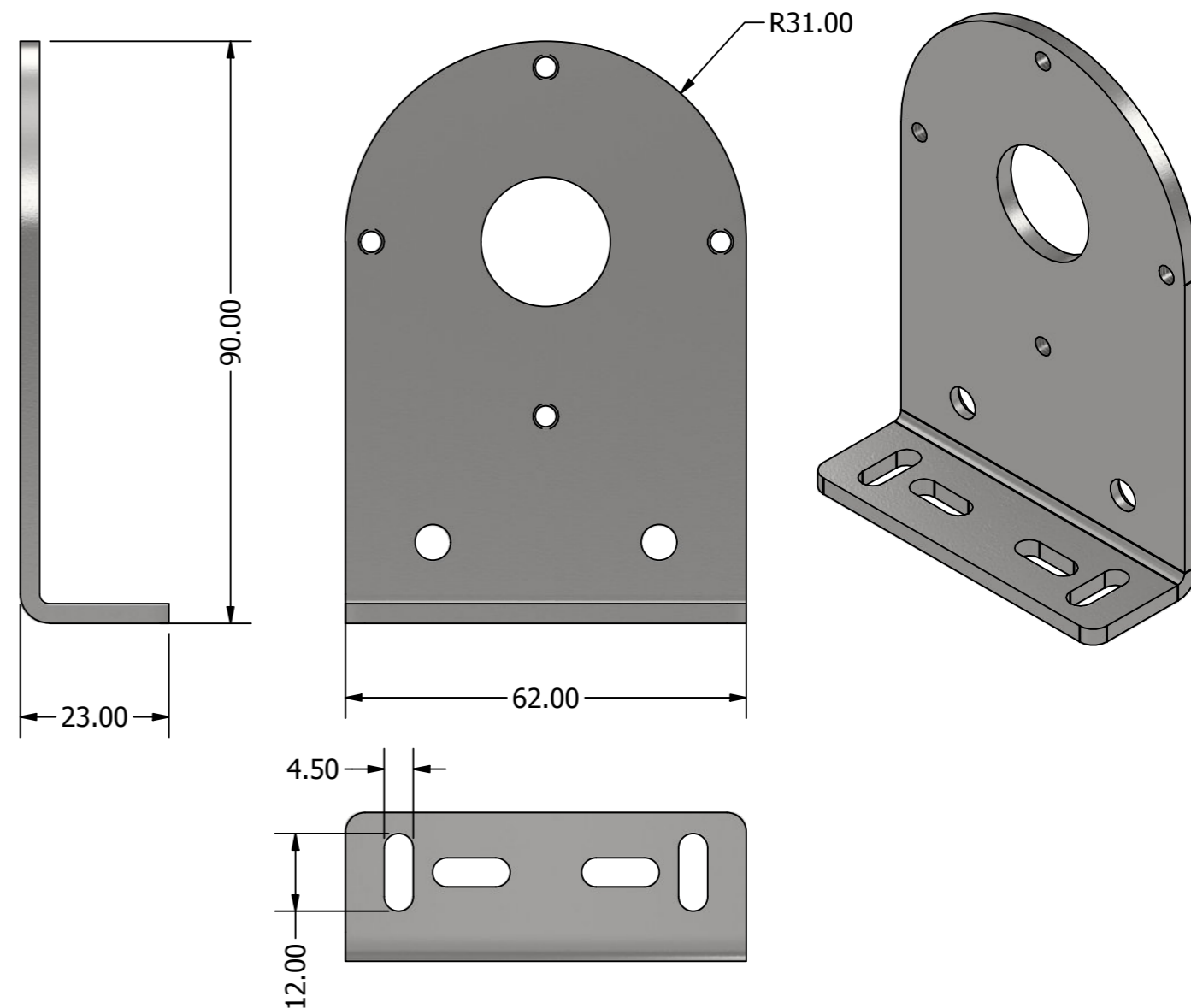


Cassette 125 base bracket (for KuroLok 125 & Cassette 125)
TR2125


MATERIAL:	Mild steel	Modular headbox base brackets		CoolGlass Millstone Way, Waddingham, Gainsborough, Lincolnshire, DN21 4SQ 01673 818 157 coolglass.co.uk info@coolglass.co.uk
FINISH:	Zinc plated			
AUTHOR:	Marshall Hill			
DATE:	25/05/2021	PART NO:	Mul.	
SCALE:	SHEET SIZE: A3	 CoolGlass Glazing Enhancements		
1 : 1	SHEET 1 OF 4			

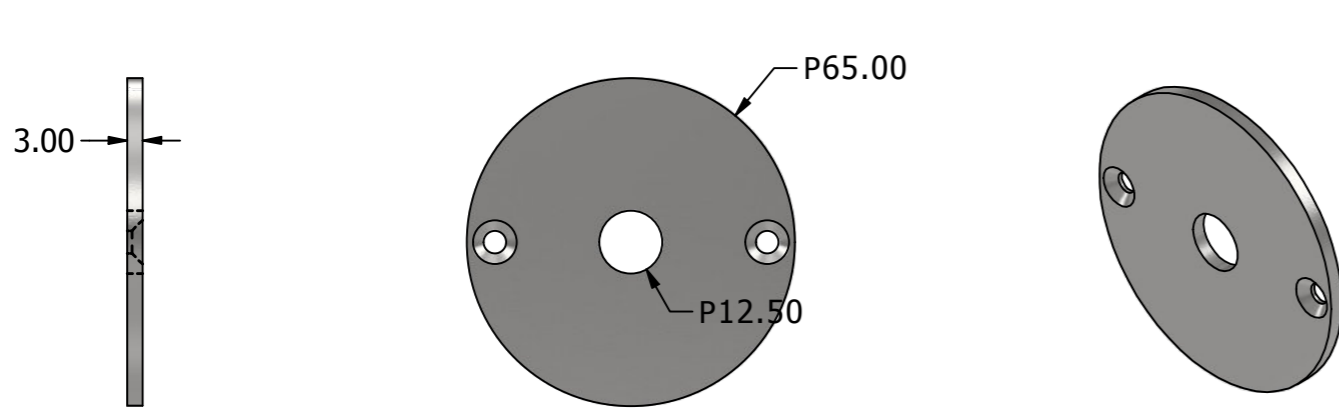


Standard mounting bracket (for standard blinds)
TR3100

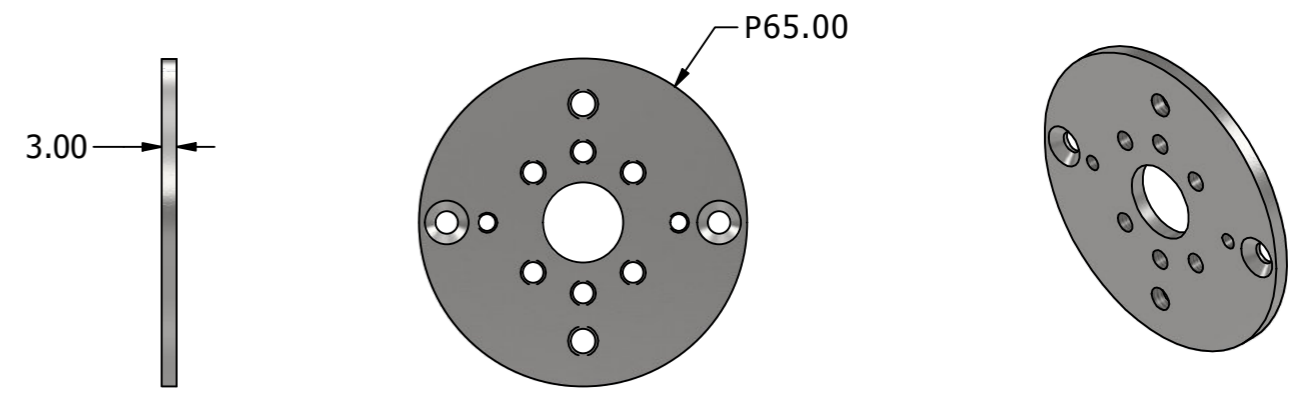


Extended mounting bracket (for longer drop blinds)
TR3115

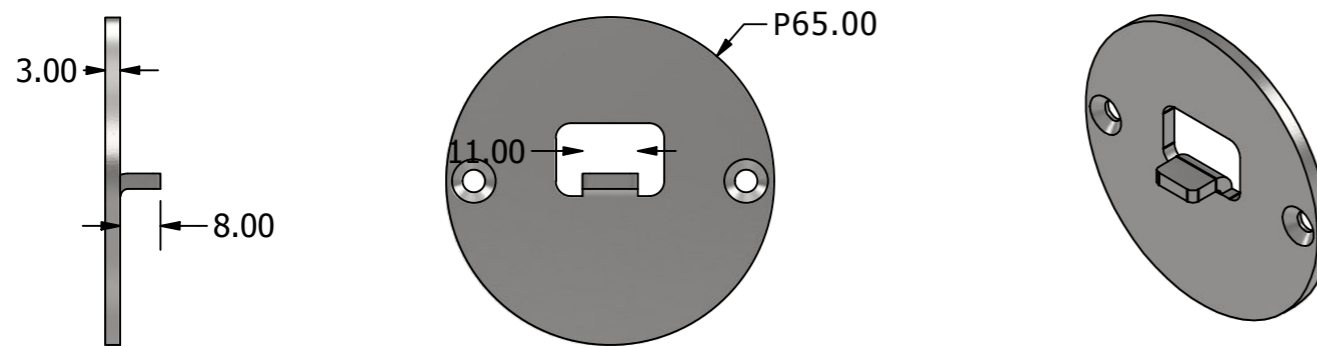
MATERIAL:	Mild steel	Modular mounting brackets	CoolGlass Millstone Way, Waddingham, Gainsborough, Lincolnshire, DN21 4SQ 01673 818 157 coolglass.co.uk info@coolglass.co.uk
FINISH:	Zinc plated		
AUTHOR:	Marshall Hill		
DATE:	25/05/2021	PART NO: Mul.	
SCALE:	SHEET SIZE: A3	 CoolGlass Glazing Enhancements	
1 : 1	SHEET 2 OF 4		



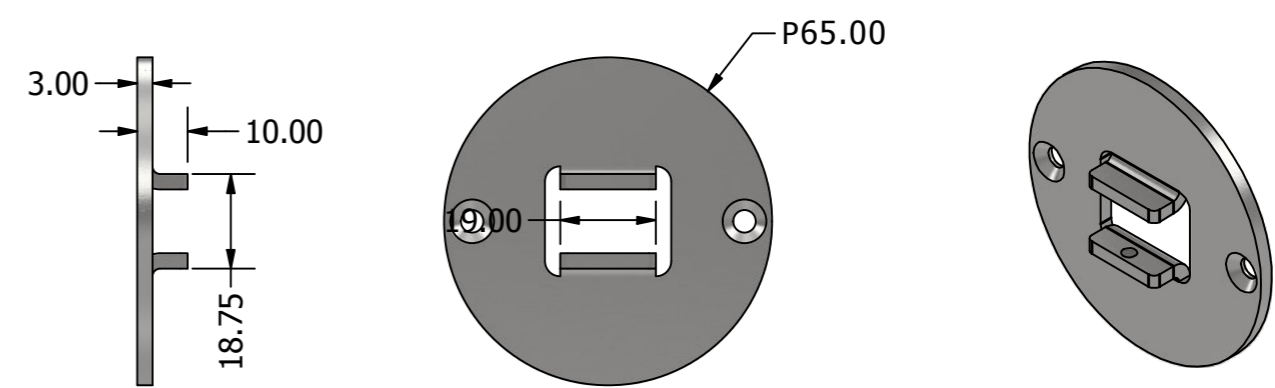
Bearing bracket plate (for idle end bearing)
TR0105



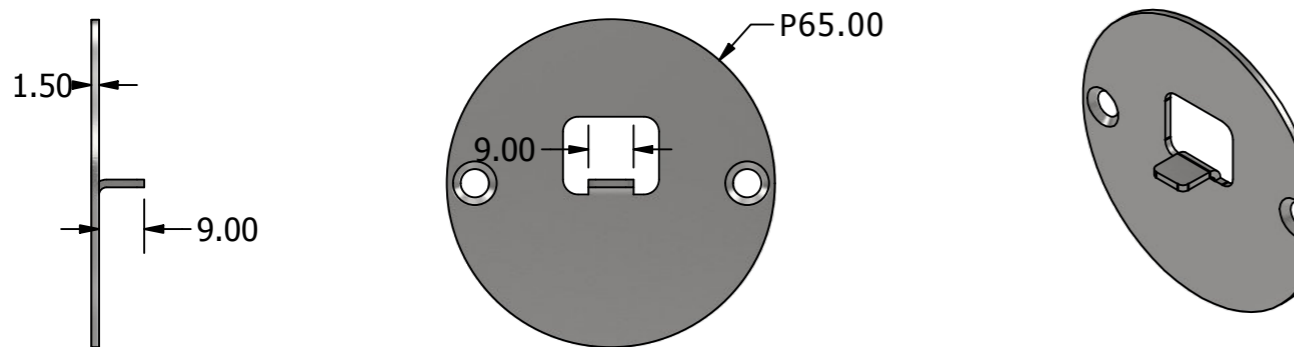
Gear bracket plate (for crank operation, 30mm motors & coupled blinds)
TR0103



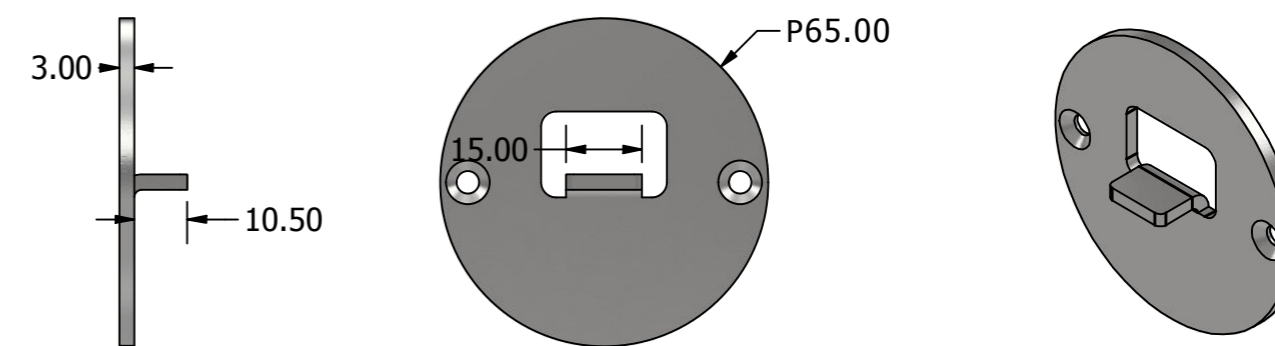
Motor bracket plate (for 40mm & 50mm motors)
TR0101




Lutron bracket plate (for Lutron 64 components)
TR0103

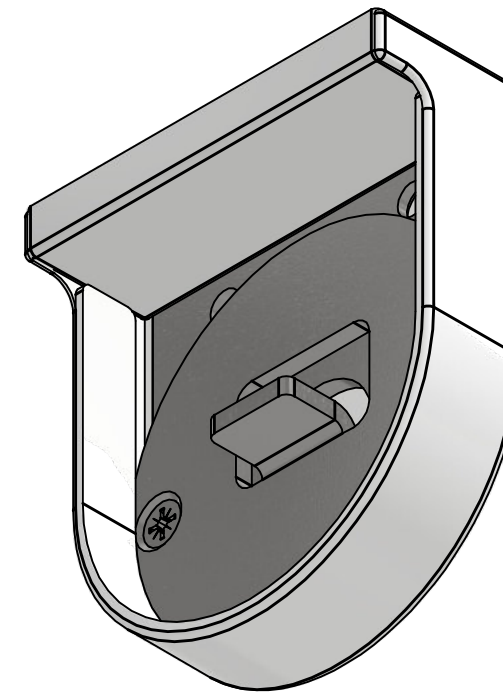
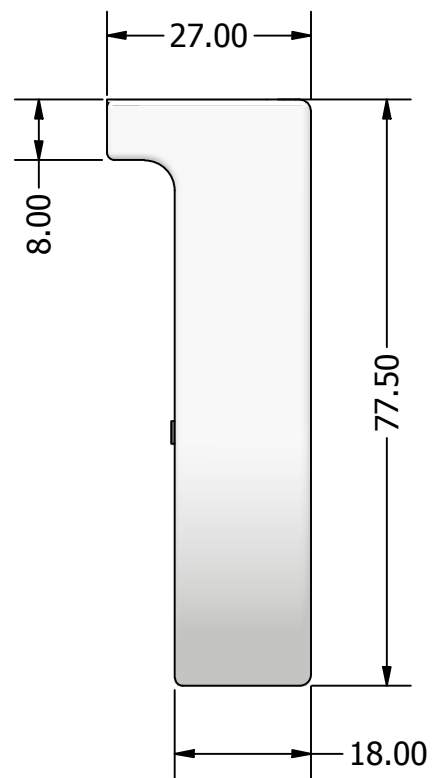
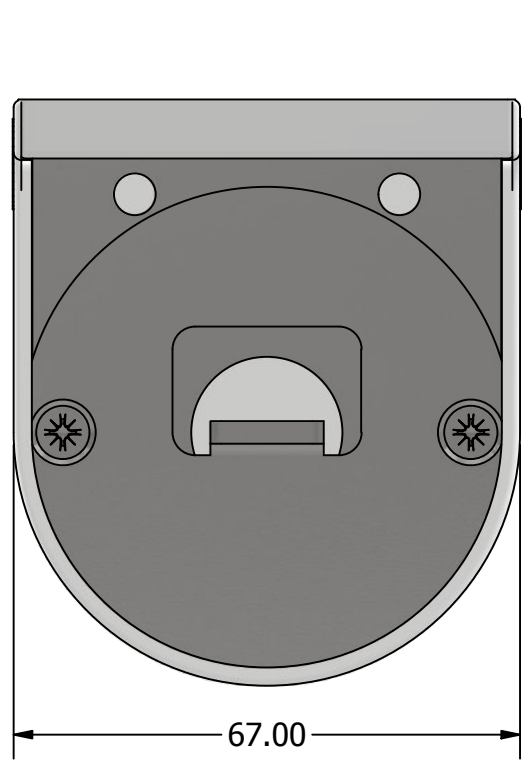


Bracket plate (for Cassette 80 blinds)
TR0102

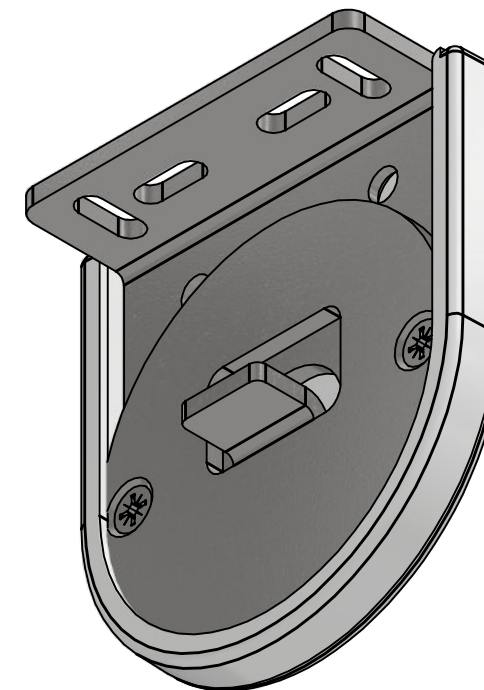
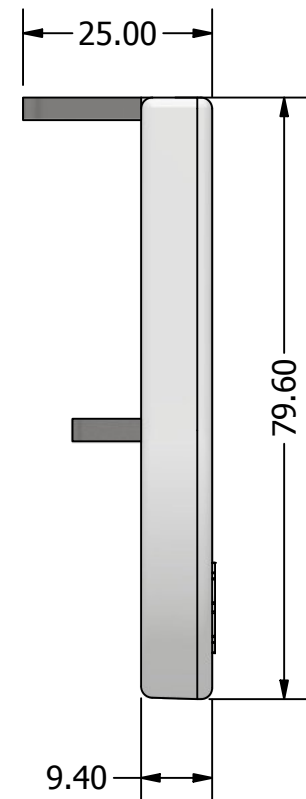
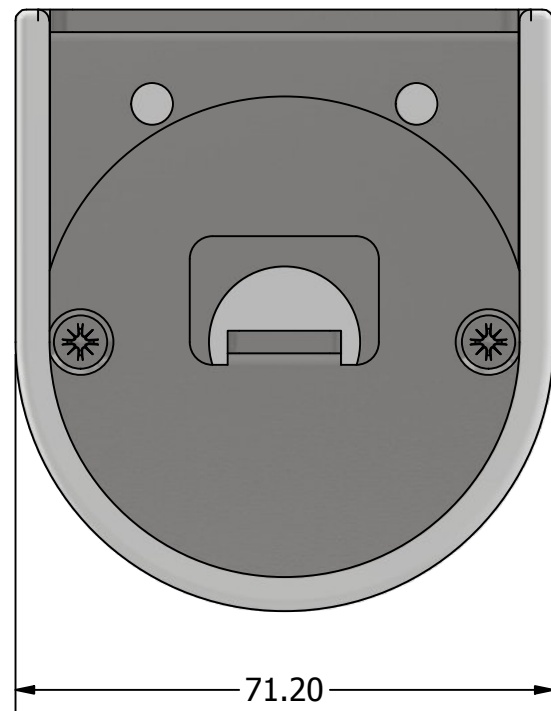


Chain mech bracket plate (for chain mechanism)
TR0100


MATERIAL:	Mild steel	Modular bracket plates		CoolGlass Millstone Way, Waddingham, Gainsborough, Lincolnshire, DN21 4SQ 01673 818 157 coolglass.co.uk info@coolglass.co.uk
FINISH:	Zinc plated			
AUTHOR:	Marshall Hill			
DATE:	25/05/2021	PART NO:	Mul.	
SCALE:	SHEET SIZE: A3	 CoolGlass Glazing Enhancements		
1:1.5	SHEET 3 OF 4			



Motorised bracket cover
Bracket cover for motorised blinds only



Manual bracket cover
Bracket cover for manual (chain or crank operated) blinds

MATERIAL:	ABS plastic	Bracket covers	CoolGlass Millstone Way, Waddingham, Gainsborough, Lincolnshire, DN21 4SQ 01673 818 157 coolglass.co.uk info@coolglass.co.uk
FINISH:	White / black / grey		
AUTHOR:	Marshall Hill		
DATE:	25/05/2021	PART NO:	Mul.
SCALE:	SHEET SIZE: A3	 CoolGlass Glazing Enhancements	
1 : 1	SHEET 4 OF 4		