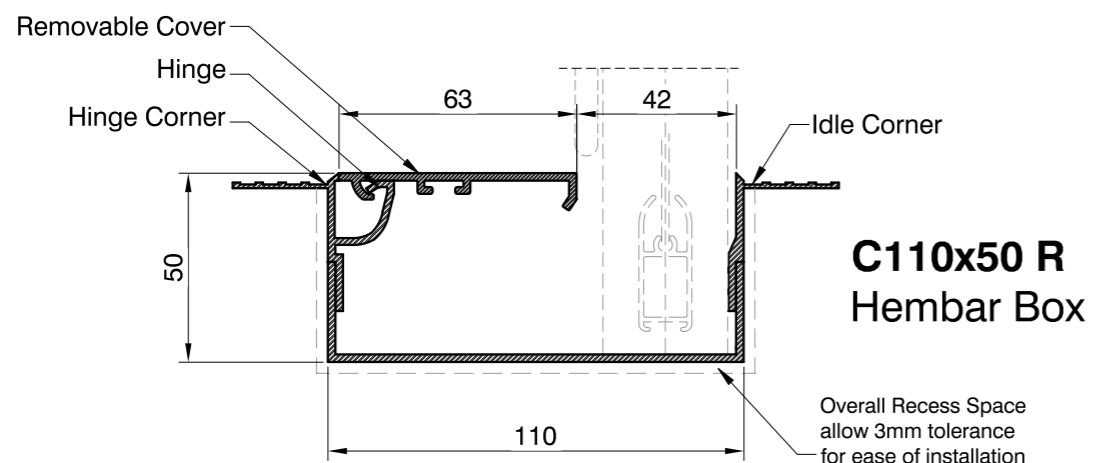
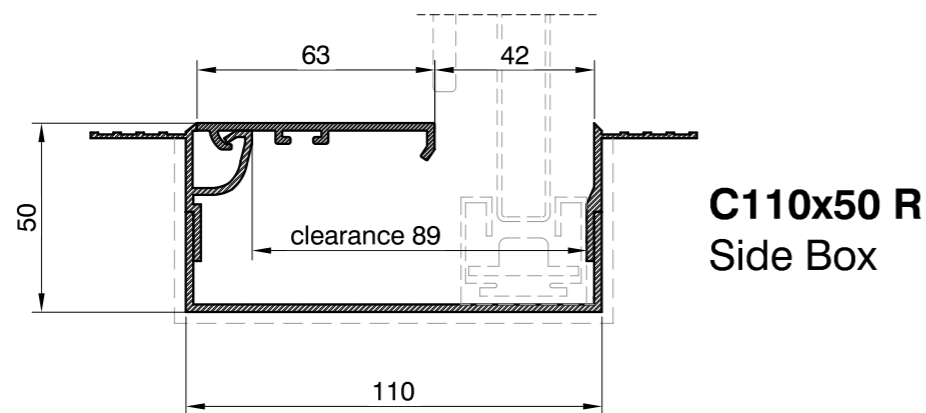
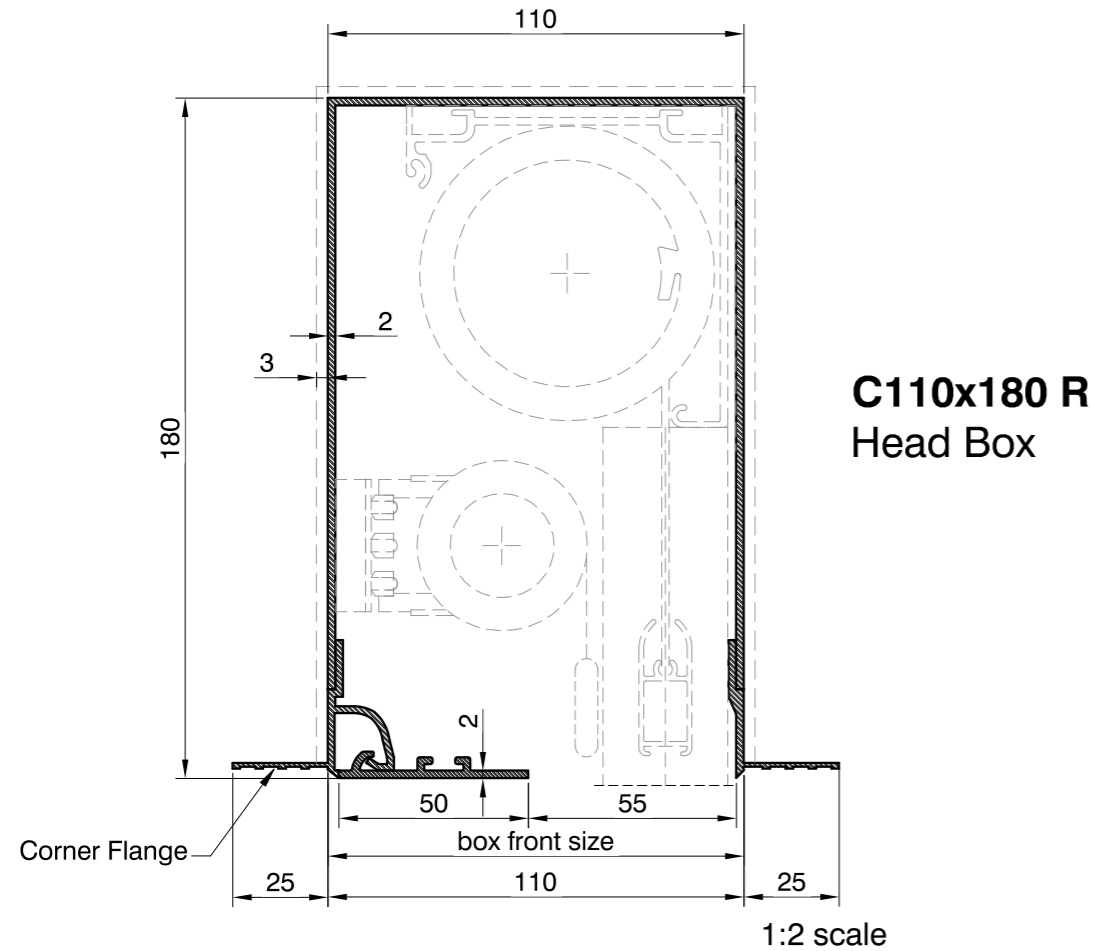
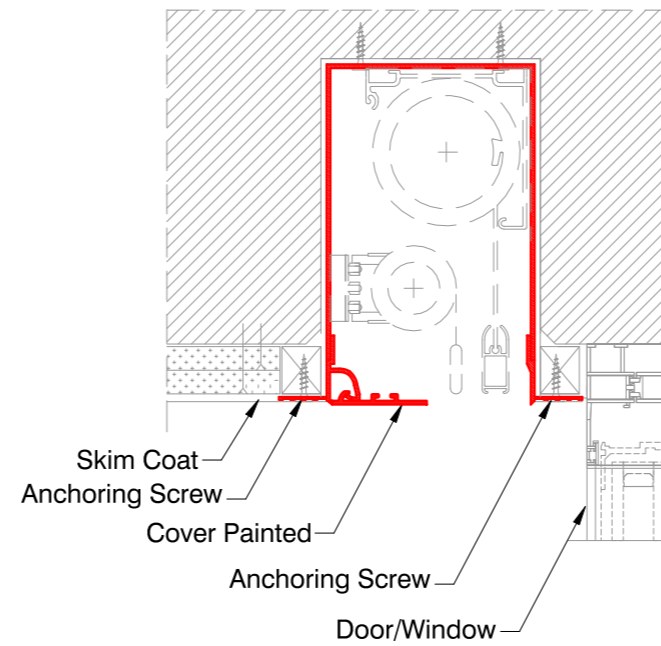


# Blindspace® C110x180 & C110x50 for Medium Standard Roller Blind and SHY 85/60 240v

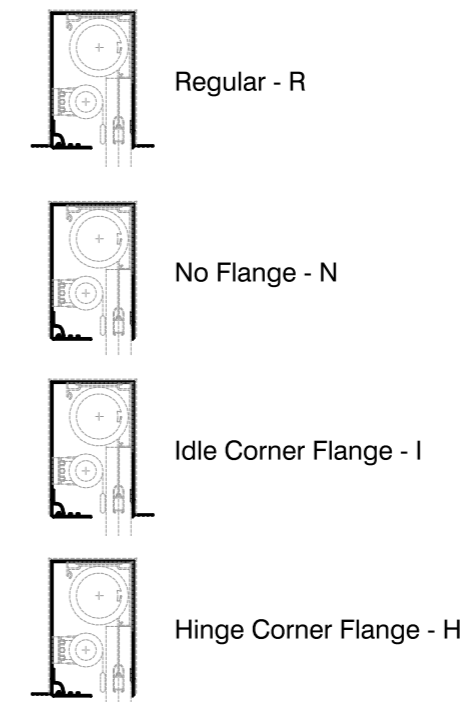


## SAMPLE INSTALLATION DETAIL

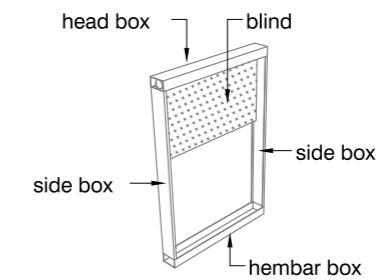
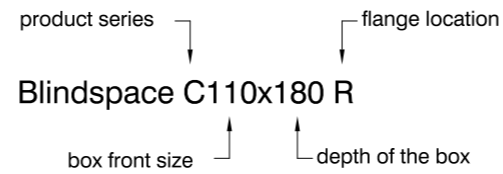
INSTALLATION NOTE:  
Make sure there is space for window/door handles.  
Boxes and blinds can also be mirrored in vertical plane for opening towards the room.



## SKIM COAT FLANGES LOCATION OPTIONS

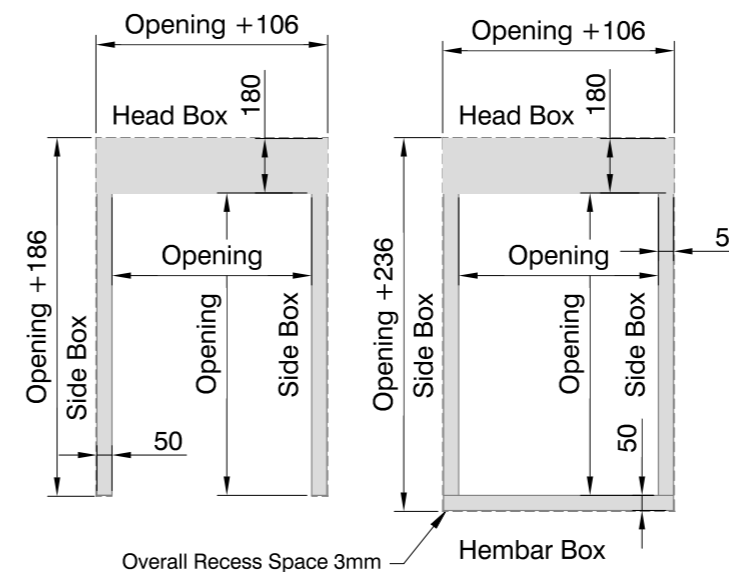


## PRODUCT REFERENCE

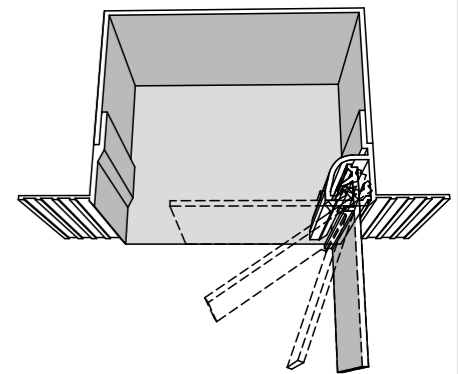


Top down configuration of blinds is shown.  
Bottom up configuration is also possible.  
For bottom up configuration the frame layout should be mirrored in horizontal plane.

## FRAME LAYOUT OPTIONS



Product	Blindspace C110x180 Double
Description	Recessed aluminium boxes and covers designed to conceal window blinds.
Material	Anodized Aluminium, grade: front plate: EN 6063 T6 back plate: EN AW-1050A H14/H24
Finishes	- Unfinished for site painting - Primed for site painting - Pre-finished to RAL colour
Blind sizes	Blind Sizes to fit inside the box: Medium Standard Roller Blind and SHY 85/60 240v with 36mm hem bar Exact size depending on fabric and hembar selection. Opening Width max: 2800mm Opening Height max: 2900mm
Installation	Boxes should be fixed on both sides. The finished plaster level should be flush with chamfered edge. Anchoring countersink screws through skim coat flanges are recommended.
Drawing	Custom Blindspace Boxes C110x180 for Double Window Blinds
Item name	C110x180, C110x50
Date	November, 2019
Notes	Dimensions in mm Do not scale from drawing
Drawn by	M. Kozak, B. Dzieza
Approved	A. Sundelin
Revision	R-0: first issue R-1: size update R-2: naming update



Print date	2019-11-07
Print file	blindspace c110x180 for windows double with medium and shy 85 36 hem v11.dwg
Page size	ISO A3 420x297
Remarks	-