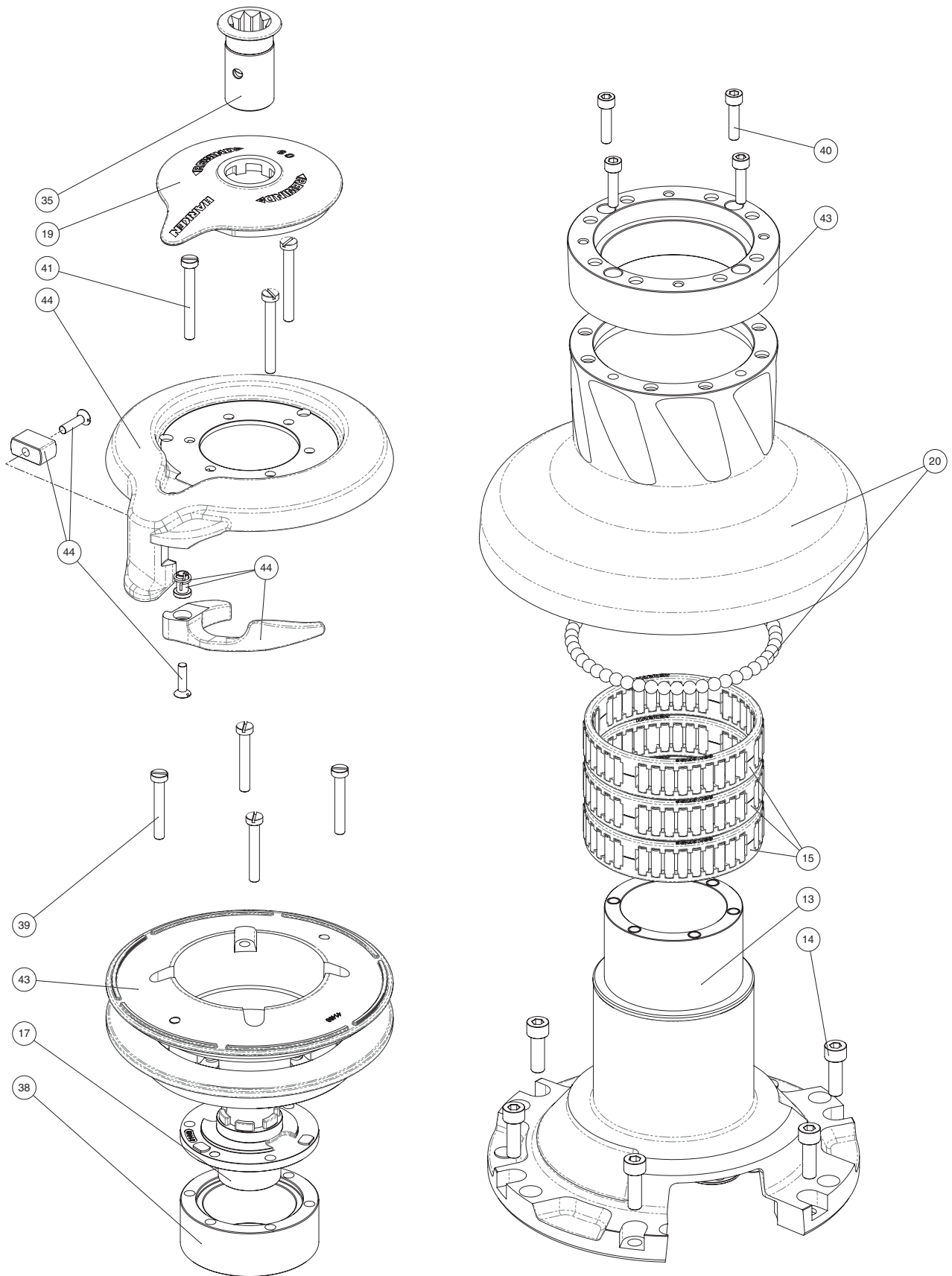
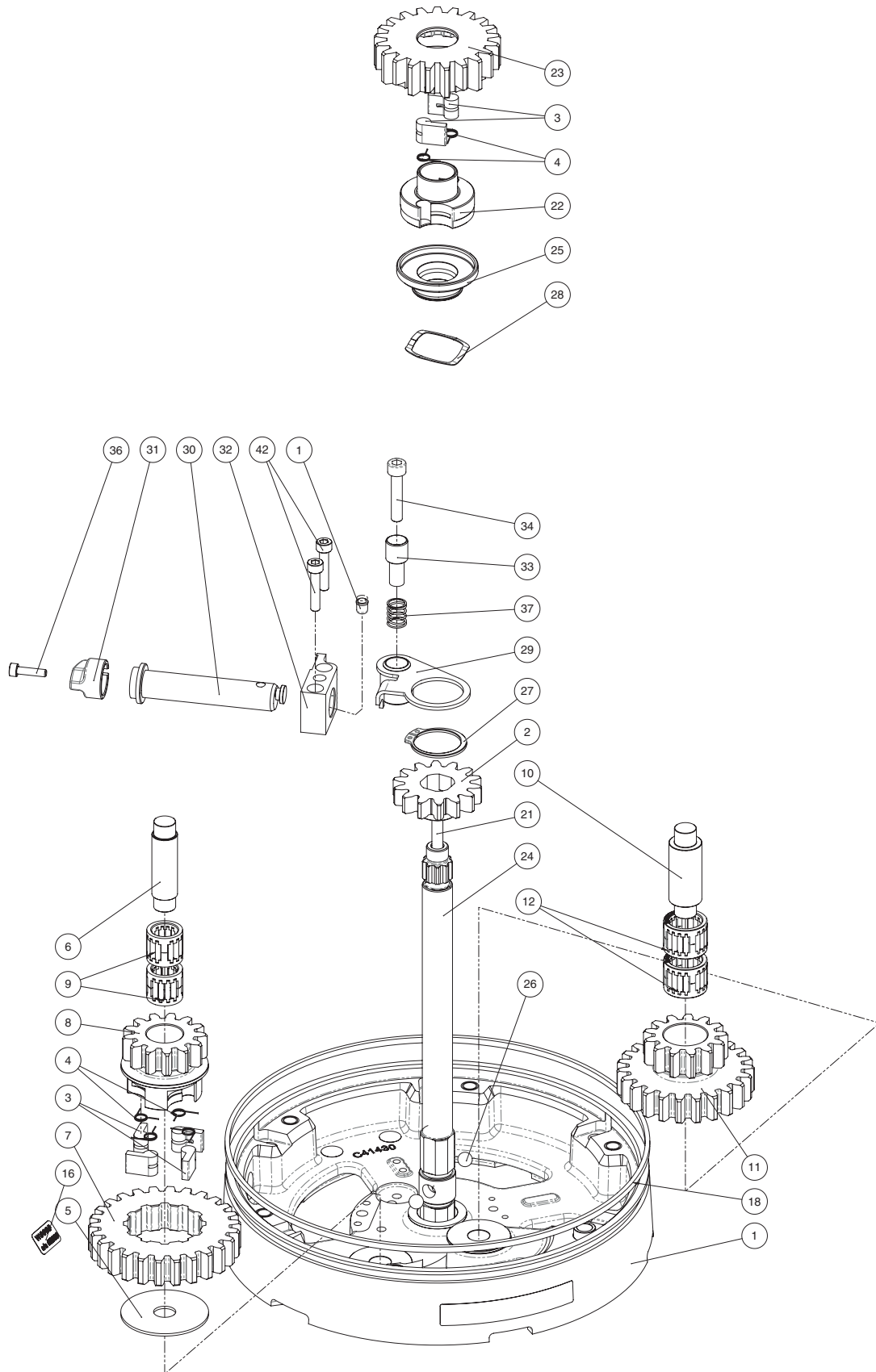


Exploded view

60 Rewind STA, STC, STCW, STBBB, STCCC EL Winch



60 Rewind STA, STC, STCW, STBBB, STCCC EL Winch



Parts List

60 Rewind™ STA EL Winch

A = drum in anodised aluminium

Pos.	Q.ty	Code	Description	Pos.	Q.ty	Code	Description
1	1	A96575800	Assy Base W60 RW Base W60RW Heli-coil M8x10	26	2	M0614103	Ball 5-16" inox
	1	S476030004	Centering bushing Ø12	27	1	M0616603	Seeger Ring UNI 7435:1975 - Ø28 mat. 17-7 Ph
	1	S4130900A7	Bushing Ø22xØ25x8.5	28	1	M0630802	SMALLEY RING SSR0137-S17
	2	S415580085	Bushing Ø12xØ35x9	29	1	A76575600	Command x W60 Rewind
	1	M6009463	Spring loaded ball plunger Ø6 Winch Product Sticker**	30	1	A96575700	Assy knob W60 Rewind Knob W60 Rewind Heli-coil M4x8 Pin for knob Bushing Ø6.5xØ4x3
2	1	S657550004	Gear Z14 W60RW		1	S419190004	
3	6	S000080003	Pawl Ø8*		1	S419200041	
4	6	S000380001	Pawl Spring Ø8*	31	1	S497400080	Knob W46 rewind
5	1	S278170002	Washer Ø12.5xØ48x1.5	32	1	S657590080	Switch Support W60RW
6	1	S281010004	Pin for gear	33	1	S416530004	Pin for switch W46 Rewind
7	1	S414420041	Ratchet Gear Z26xN4	34	1	M0624203	Screw M6x30
8	1	S414410004	Pawls Carrier Gear Z13 N4	35	1	A94165200	Assy socket W46 Rewind Socket Handle W46 Rewind Washer Ø25xØ15x4 Nut Screw for Disconnect Rod O ring RC 2025 series
9	2	A72821800	Roller Bearing Ø14xØ20x18		1	S414940085	
10	1	S416030004	Gear Pin Ø12xØ18x52,5		1	S414930003	
11	1	S414480004	Idler and Pinion Z23/Z13 W60		1	M0679797	
12	2	A74162300	Roll bearing Ø24xØ18x18	36	1	M0624103	Screw M4x16 UNI5931
13	1	A94143100	Assy Housing Winch 60.2 Housing W60 Heli-coil M6x9	37	1	S418590001	Spring Ø10.67x12.7 rif.SPEC C0420-035-0500S
	2	S415580085	Bushing Ø12xØ35x9	38	1	S657620052	Spacer for stripper arm support W60 Rew
	1	S4130900A7	Support Bushing W60 Bushing Ø22xØ25x8.5	39	4	M0623103	Screw M6x40 TC DIN84 A4
14	6	M0606303	Screw M8x25 UNI 5931	40	4	M0601703	Screw M6x25 UNI 5931
15	3	A74145000	Roller Bearing Ø95xØ107x26	41	3	M6007103	Screw M6x50 UNI6107
16			Winch Serial Number Sticker	42	2	M0627602	SCREW M5x25 TCCE U5931 D912 A2
17	1	S4144300A0	Stripper Arm Housing W60/70	43	1	A96574900	Assy jaws Winch 60 Upper Jaw W60 Lower Jaw W60RW SPRING Tapered spacer for W60RW drum Spacer ring Winch 60 Rewind
18	1	S281700097	Red line		8	S385970001	
19	1	S6574800B1	Cover 2 Speed W60 REWIND		1	S657610052	
20	1	A96575000	Assembly Kit drum Winch 60 STA Rewind Drum Assembly W60 RW Ball 5/16"		1	S665780080	
	50	M0610280		44	1	A96574600	Assy stripper arm Stripper arm W60 Rewind Peeler W60 Rewind Spring stripper arm W46 Rewind Bushing Screw M5x20 UNI 6109 Slider
21	1	S657540002	Disconnect rod 60 Rewind		1	S657470019	
22	1	S657530004	Pawls carrier Ø8xN2		1	S416570001	
23	1	S657520041	Gear Z21		1	S416580041	
24	1	S657510004	Main shaft W60 Rewind		2	M0619003	
25	1	S416260041	Disconnect flange		1	S419170080	

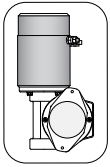
*Available with service kit; see website www.harken.com

**Winch product sticker

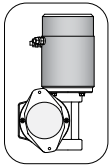


Horizontal electric motor 12V/24V

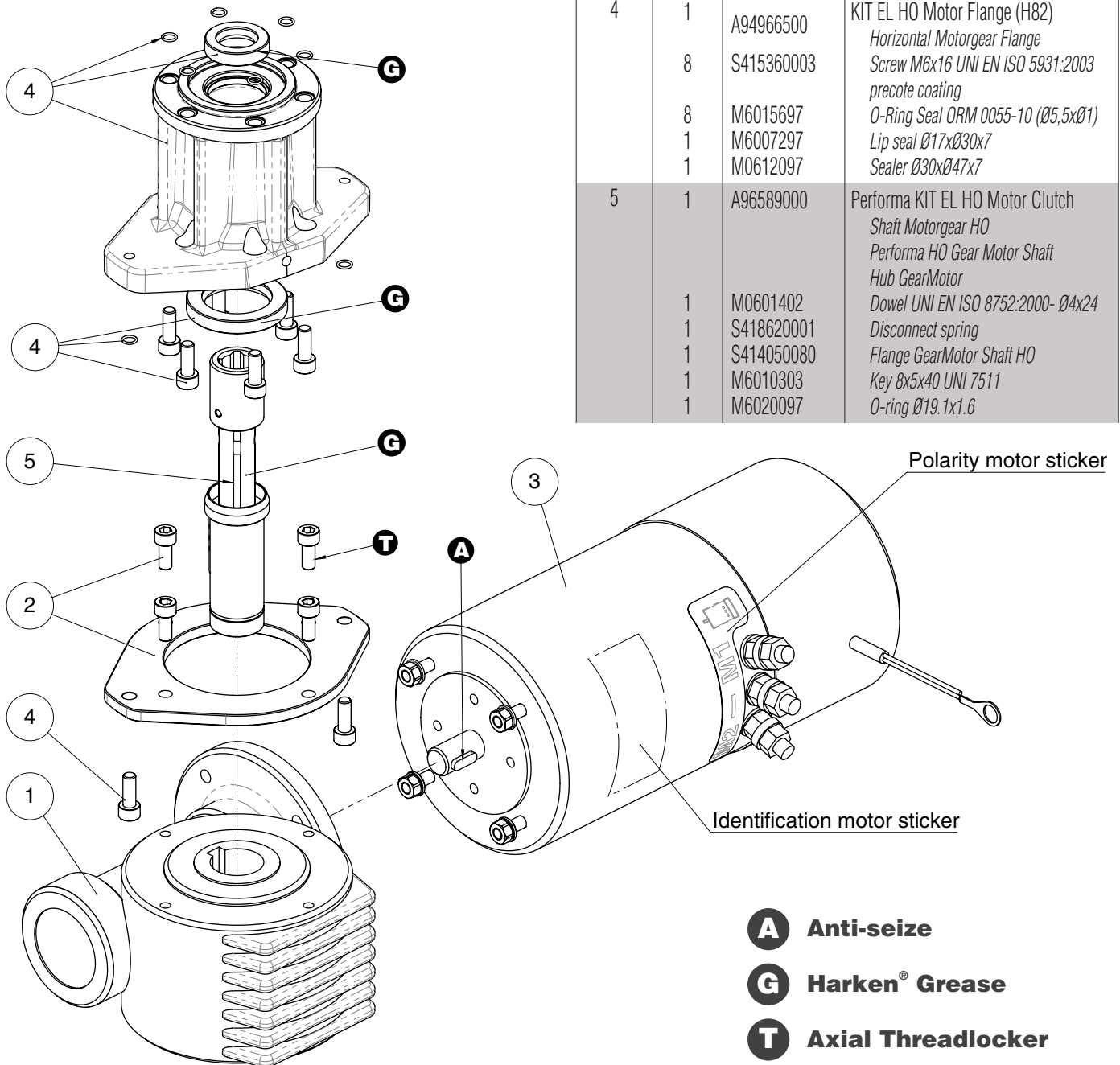
TOP VIEW



* Motor installed in right-hand configuration.



** Motor installed in left-hand configuration.



Pos.	Q.ty	Code	Description
1	1	A93127900	KIT Gear Reduction VF49
	1	A94194900	KIT LM Gear Reduction 1/24
2	1	A94149200	KIT Assy Electric Motor Flange
	1	A94149200L	KIT Assy Electric Motor Flange Left
	4	M0606803	Electric Motor Flange Screw M6x14 UNI 5931
3	1	A96656800	Kit electric motor HO 12V W.60 RW
	1	A96656900	Kit electric motor OR 24V Winch 60 RW
4	1	A94966500	Kit EL HO Motor Flange (H82)
	8	S415360003	Horizontal Motorgear Flange Screw M6x16 UNI EN ISO 5931:2003 precote coating
	8	M6015697	O-Ring Seal ORM 0055-10 (Ø5,5xØ1)
	1	M6007297	Lip seal Ø17xØ30x7
	1	M0612097	Sealer Ø30xØ47x7
5	1	A96589000	Performa KIT EL HO Motor Clutch
			Shaft Motorgear HO
			Performa HO Gear Motor Shaft
			Hub GearMotor
	1	M0601402	Dowel UNI EN ISO 8752:2000- Ø4x24
	1	S418620001	Disconnect spring
	1	S414050080	Flange GearMotor Shaft HO
	1	M6010303	Key 8x5x40 UNI 7511
	1	M6020097	O-ring Ø19.1x1.6

Polarity motor sticker

Identification motor sticker

- A** Anti-seize
- G** Harken® Grease
- T** Axial Threadlocker