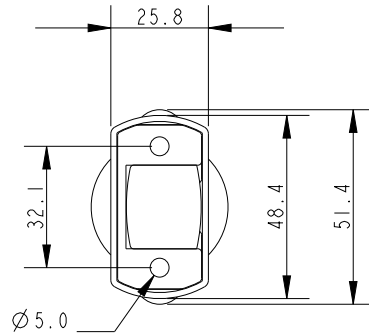


DETAIL A
SCALE 1:2



Specification

| Part Number | Suitable For | X = Length mm | X = Length ft | Weight g |
|-------------|--|------------------|------------------|-------------|
| A4198 | - | 700 | 2'4" | 141 |
| A4898 | Optimist, Cadet | 609 | 2'0" | 124 |
| A4298TOP | Topper | 676 | 2'3" | 177 |
| A4298 | Laser 2, Laser 3000 | 762 | 2'6" | 147 |
| A4498 | 470, 420, Enterprise, GP14, Pico | 915 | 3'0" | 170 |
| A4498-TOP | Topper | 975 | 3'2" | 177 |
| A4698 | Laser, RS400, Finn, 29er, RSFeva, RS200 | 1102 | 3'7" | 195 |
| A4798 | B14, RS600, Int. 14, Contender | 1975 | 6'6" | 347 |

DIMENSIONS FOR REFERENCE ONLY
 allenbrothers.co.uk
 +44(0)1621 772477

| Title | Description |
|-----------|----------------------------|
| A4_98-REF | Aluminium Tiller Extension |