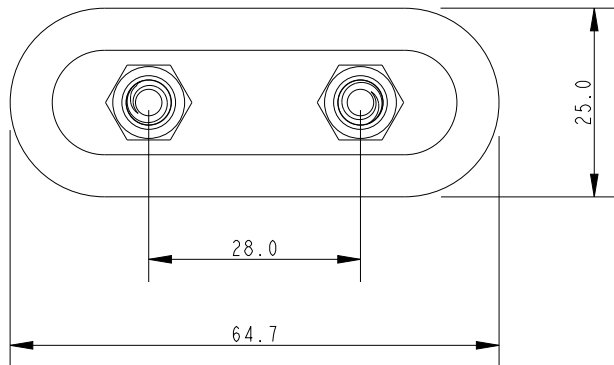


SCALE 1:1



SCALE 3:2



Specification					
Rod Size mm	Fixing Hole Centre mm	Height mm	Thread Length kg	Weight g	Inside Dia. mm
6	28	50	25	62	22

**DIMENSIONS FOR REFERENCE ONLY**  
 allenbrothers.co.uk  
 +44(0)1621 772477

Title	Description
<b>A4871X-REF</b>	U Bolt With Heavy Duty Top & Bottom Backing Plate