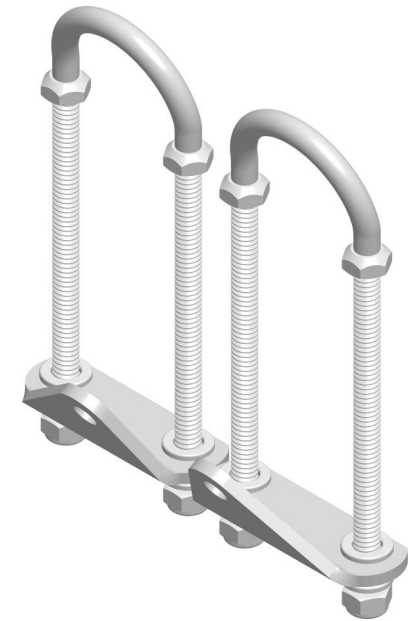
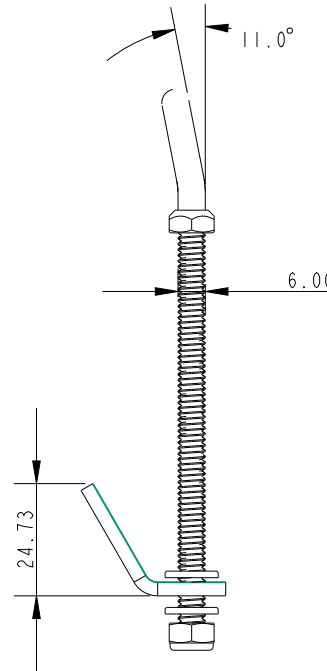
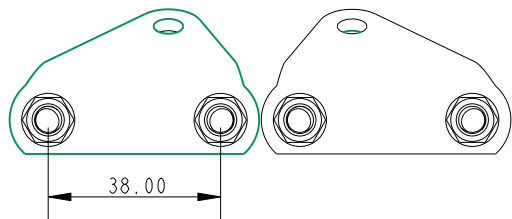


SCALE 3:5



SCALE 3:5



Specification

Rod Size mm	Fixing Hole Centres mm	Height mm	Tread Length mm	Weight g	Inside Diameter mm
6	38	120	96	91	32

DIMENSIONS FOR REFERENCE ONLY
 allenbrothers.co.uk
 +44(0)1621 772477

Title	Description
A4671XT-FT-REF	U bolt w/ Plate and Flange Tang