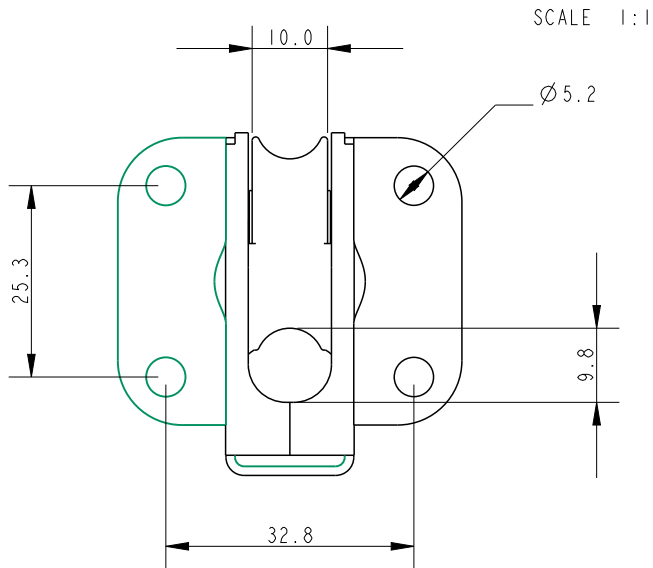


SCALE 3:2



DIMENSIONS FOR REFERENCE ONLY
 allenbrothers.co.uk
 +44(0)1621 772477

Specification

Length mm	Line Diameter mm	Hole centre mm	Breaking Load kg	MWL kg	Weight g	Bearing Detail
45	8	25	850	140	57	Stainless Steel

Title	Description
A4101-REF	Upstand Block