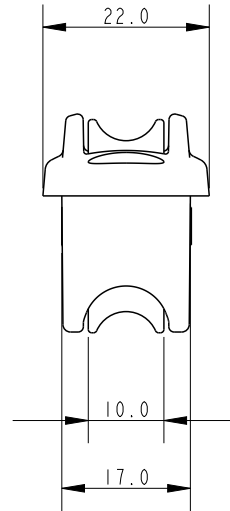
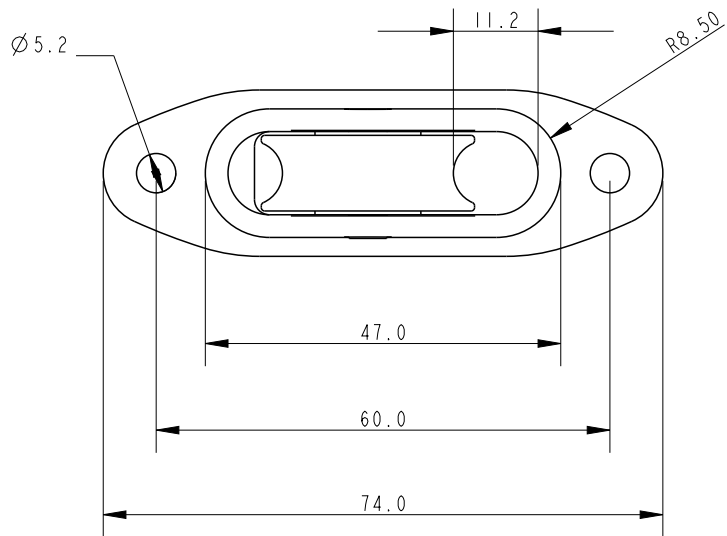


SCALE 1:1



SCALE 3:2



**DIMENSIONS FOR REFERENCE ONLY**  
 allenbrothers.co.uk  
 +44(0)1621 772477

**Specification**

Length mm	Line Diameter mm	Hole Centre mm	Breaking Load kg	MWL kg	Weight g	Bearing Detail
47	8	60	500	140	25.6	Stainless Steel

Title	Description
A2131-REF	Single Through Deck