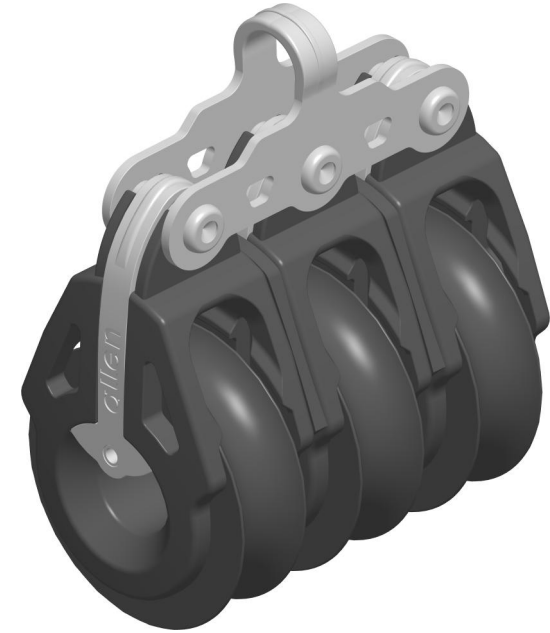
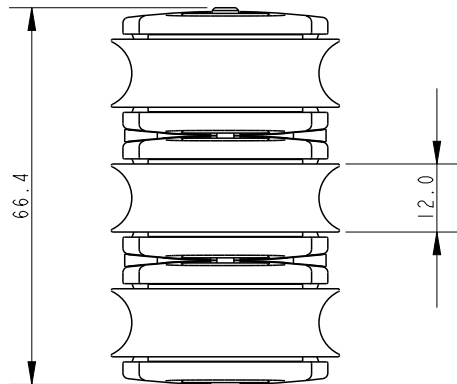


SCALE 3:4



SCALE 1:1



Specification					
Length mm	Line Diameter mm	Breaking Load kg	MWL kg	Weight g	Bearing Detail
84	10	1350	320	129	Stainless Steel

DIMENSIONS FOR REFERENCE ONLY
 allenbrothers.co.uk
 +44(0)1621 772477

Title	Description
A2045-REF	Triple