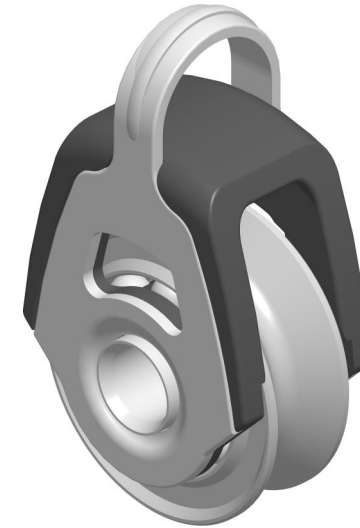
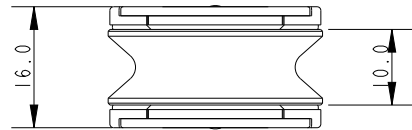


SCALE 1:1



SCALE 3:2

**Specification**

Length mm	Line Diameter mm	Shackle Pin mm	Breaking Load kg	MWL kg	Weight g	Bearing Detail
49	8	-	800	300	39	Stainless Steel

**DIMENSIONS FOR REFERENCE ONLY**  
 allenbrothers.co.uk  
 +44(0)1621 772477

Title	Description
<b>A2030HL-REF</b>	Single High Load - Stainless Steel Sheave