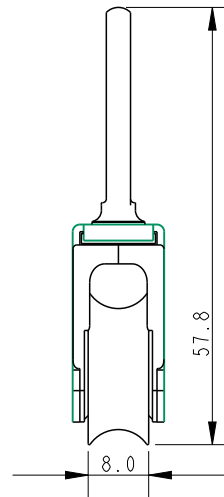
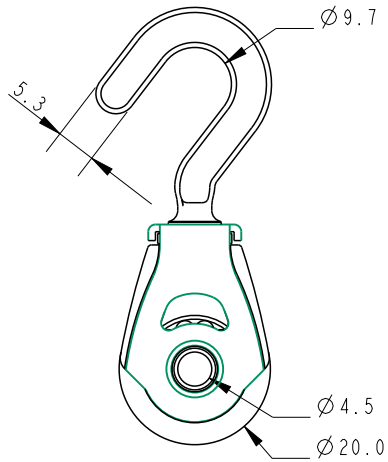


SCALE 1:1



SCALE 2:1

Specification						
Length mm	Line Diameter mm	Shackle Pin mm	Breaking Load kg	MWL kg	Weight g	Bearing Detail
57.8	6	-	350	115	19	Stainless Steel

DIMENSIONS FOR REFERENCE ONLY
allenbrothers.co.uk
+44(0)1621 772477

Title	Description
A2020SHK-REF	Single With Swivel Hook