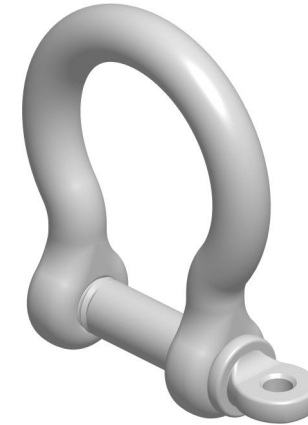
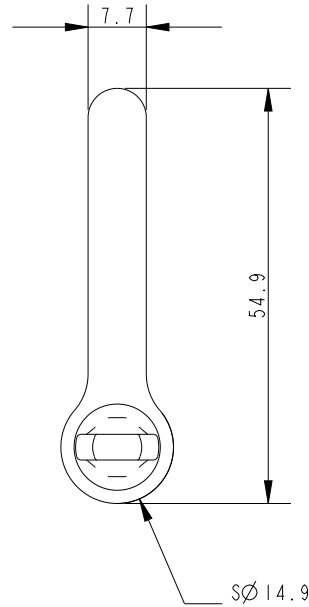


SCALE 1:1



Specification

L mm	A mm	D mm	W mm	Breaking Load kg	Weight g
36	18	8	28	2500	59

DIMENSIONS FOR REFERENCE ONLY
 allenbrothers.co.uk
 +44(0)1621 772477

Title	Description
A-622108-REF	Bow Shackle With Forged Pin