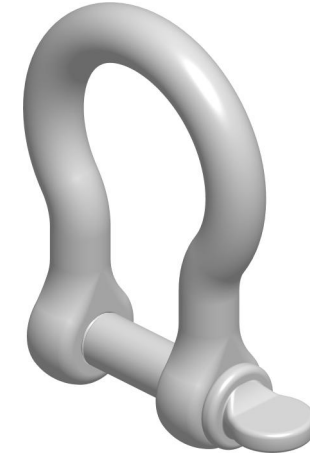
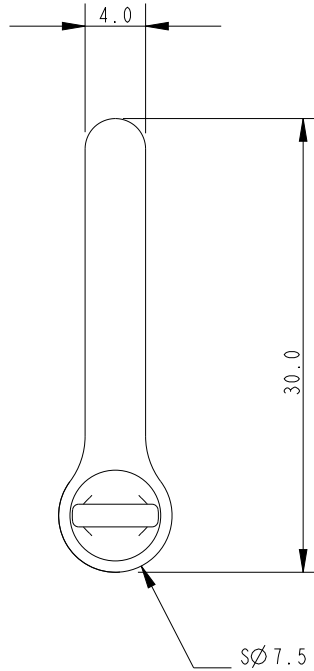


SCALE 2:1



**DIMENSIONS FOR REFERENCE ONLY**  
 allenbrothers.co.uk  
 +44(0)1621 772477

Specification					
L mm	A mm	D mm	W mm	Breaking Load kg	Weight g
20	8	4	13	500	8.5

Title	Description
<b>A-622104-REF</b>	<b>Bow Shackle With Forged Pin</b>