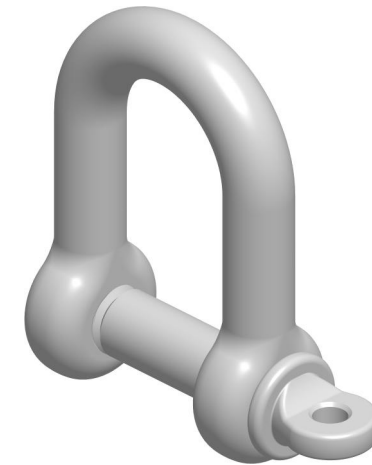
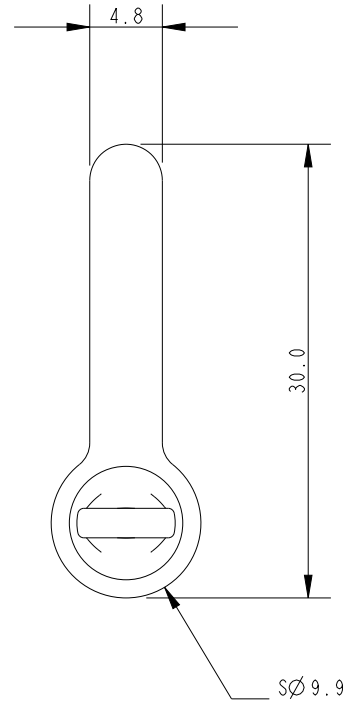


SCALE 2:1



DIMENSIONS FOR REFERENCE ONLY
 allenbrothers.co.uk
 +44(0)1621 772477

Specification

L mm	A mm	D mm	Breaking Load kg	Weight g
18	11	5	950	14

Title	Description
A-621105-REF	D Shackle With Forged Pin