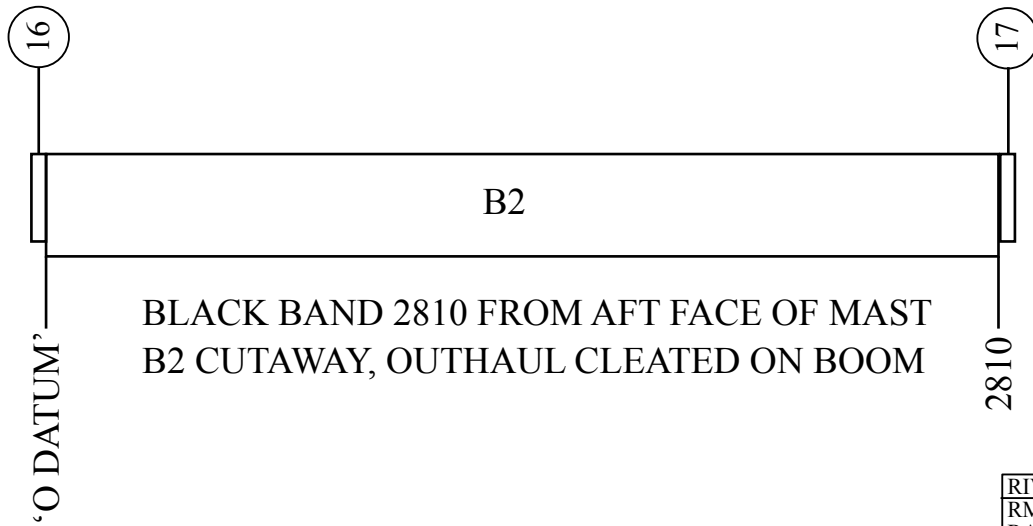
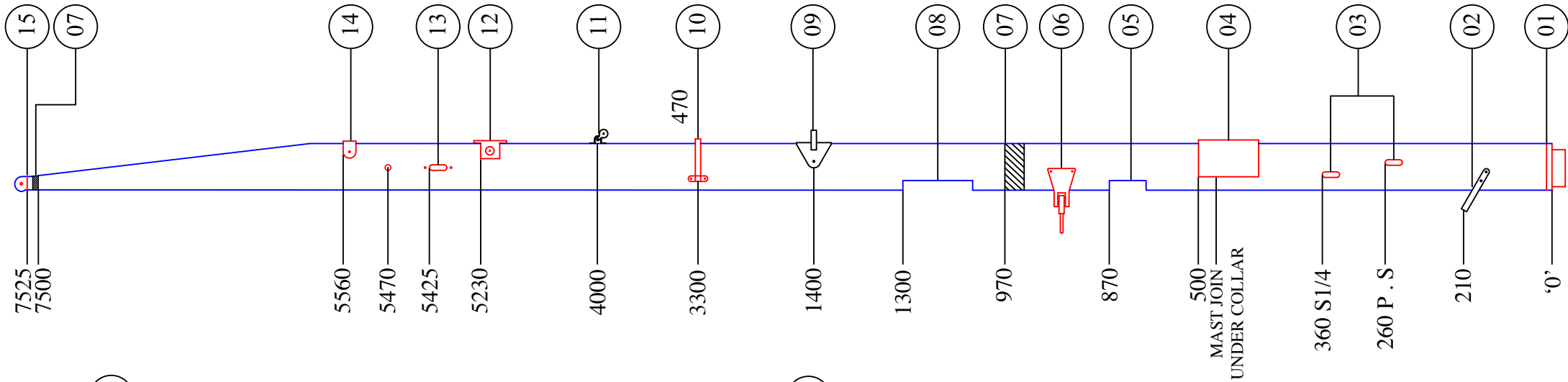


# PONANT M6



POLE SPEC:  
OAL 2450  
CUT LENGTH 2374

ITEM	DESCRIPTION	PART NO	Qty.
01	TENNON HEEL PLUG	THP	01
02	KICKER TANG	IS5 TANG	01
03	25 x 6mm SLOT		02
04	COLLAR		01
05	50MM JIB SLOT		01
06	GOOSENECK COMPLETE	GNSSPARS	01
07	BLACK BAND TAPE		02
08	SAILENTRY 150mm	SE	01
09	MAST POLE EYE	ISP 3	01
10	SPREADER BRK SBHD	SBHD	01
11	BLOCK + EYE		01
12	ISP JIB BOX	AP37	01
13	BACKING PLATES	BP	02
14	BALL BRG SPIN BOX 410		01
15	MAST HEAD / PIN 'n' RING	MH,PR	01
16	INBOARD BOOM END		01
17	OUTBOARD BOOM END		01

### MAST DETAILS

RIVET INDEX	SECTION
RM-MONEL	LENGTH
RA-ALLY	MAST WEIGHT
RCS-SHORT CARBON	TIP WEIGHT
RCL-LONG CARBON	C of G

**Super Spars Ltd**  
Mill Road Ind. Est, Fareham, Hants. England PO16 OTW  
Tel: 01329 232103 Fax: 01329 828503  
E-mail: sales@superspars.com Web site: www.superspars.com



DATE: 10/04/2012 SHEET No. 1 of 3  
TITLE: PONANT REVISION No. 01

THIS DRAWING IS CONFIDENTIAL AND SHALL NOT BE COMMUNICATED TO A THIRD PARTY WITHOUT WRITTEN PERMISSION.