



V4

Performance Hardware



20mm

20mm



"You can't go wrong with the A2020. Its reliable and smooth, by far my favourite 20mm block."

Stuart Bithell

Diego Botin & Iago Marra – Credit Lloyd Images

20mm



A2021 A2026 A2026M

Part	Description	Length mm	Max Line Dia. mm	Shackle Pin mm	Breaking Load kg	MWL kg	Weight g	Sheave Dia. mm	Fixing Hole Centres mm
A2021	Single Multi Function	35	6	-	350	115	11.5	-	-
A2026	Single Cheek	45	6	4	350	115	15.3	-	-
A2026M	Single Composite Cheek	33	6	-	540	115	12	-	18

Key for load rating tables

Maximum Working Load (MWL)

The maximum load that the block will endure with repeated sheave movement

Breaking Load

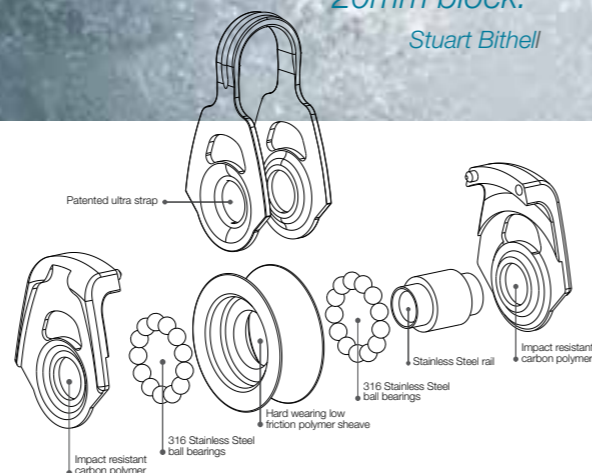
The load at which a major block failure is likely to occur



Part	Description	Length mm	Max Line Dia. mm	Breaking Load kg	MWL kg	Weight g
A2020XHL-BLACK	Extreme High Load Black	29	6	900	400	17
A2020XHL-BLUE	Extreme High Load Blue	29	6	900	400	17
A2020XHL-GOLD	Extreme High Load Gold	29	6	900	400	17
A2020XHL-ORANGE	Extreme High Load Orange	29	6	900	400	17
A2020XHL-PURPLE	Extreme High Load Purple	29	6	900	400	17
A2020XHL-SILVER	Extreme High Load Silver	29	6	900	400	17

20mm Dynamic Blocks

20mm Dynamic Blocks featuring the patented Allen Dynamic bearing system which provides an unrivalled weight to performance ratio. This is coupled with our high strength and rope friendly stainless steel ultra-strap; making them amongst the strongest and most reliable ball bearing blocks on the market. The range is available with different types of accessories including lacing eyes, hooks, swivels and cleats. The range also features a central rivet that provides great options as a tie on becket. You'll find a 20mm block to suit most control line applications.



Part	Description	Length mm	Max Line Dia. mm	Shackle Pin mm	Breaking Load kg	MWL kg	Weight g	Sheave Dia. mm	Fixing Hole Centres mm
A2020	Single	37	6	-	540	115	10	-	-
A2020HL	Single High Load	37	6	-	540	250	17.5	20	-
A2020HL-4036	Single High Load With Lacing Eye	52	6	-	540	250	21	20	-
A2020TI3	Single Ti3-On	29	6	-	540	115	8	-	-
A2020TI3HL	Single High Load Ti3-On	29	6	-	540	250	14	-	-
A2020TII	Single Tii-On	29	6	-	540	115	8	-	-



Part	Description	Length mm	Max Line Dia. mm	Shackle Pin mm	Breaking Load kg	MWL kg	Weight g	Fixing Hole Centres mm
A2020SHK	Single With Swivel Hook	58	6	-	350	115	19	-
A2020SC	Single With Swivel Head	49	6	4	350	115	15.4	-
A2020LZ	Stand-Up Fixed	43	6	-	540	115	15.4	27
A2020-4035	Single With P-Clip	60	6	5	540	115	15	-
A2020-4036	Single With Offset Lacing Eye	52	6	-	540	115	15	15
A2020F	Single With Fork Head	39	6	4	350	115	15	-
A2021HL	Single Multi Function With High Load Sheave	35	6	-	540	250	11.5	-
A2026HL	Cheek Block High Load	45	6	-	350	350	21.3	-
A2021SC	Shackle Swivel Head	49	6	4	350	115	15.4	-
A2021F	Single Fork Head	48	6	4	350	115	15.2	-
A2021HK	Single With Fixed Hook	65	6	-	165	115	17.5	-



Part	Description	Length mm	Max Line Dia. mm	Shackle Pin mm	Breaking Load kg	MWL kg	Weight g	Sheave Dia. mm
A2028	Back To Back	52	6	-	540	115	20	-
A2028HL	Back To Back High Load	52	6	-	540	300	32	20
A2029	Linked Singles	70	6	-	540	115	21.8	-



Part	Description	Length mm	Max Line Dia. mm	Shackle Pin mm	Breaking Load kg	MWL kg	Weight g	Sheave Dia. mm
A2022	Double	48	6	-	600	225	31.6	-
A2022HL	Double High Load	48	6	-	600	325	42	20
A2022Tii	Tii-On Double	29	6	-	600	225	15.6	-
A2022F	Double Fork Block	51	6	5	600	225	15.5	-
A2022A	Articulating Double	48	6	-	600	200	29.1	-
A2023	Double With Becket	59	6	-	600	225	33.5	-



Part	Description	Length mm	Max Line Dia. mm	Shackle Pin mm	Breaking Load kg	MWL kg	Weight g	Fixing Hole Centres mm
A2022LZ	Double Stand Up Fixed	53	6	-	600	225	34	28
A2022SC	Double With Swivel	56	6	4	350	225	35	-
A2023HK	Double With Becket And Hook	110	6	-	600	225	60.2	-
A2023SHK	Double With Swivel Hook	-	6	-	500	225	35	-
A2126M	Double Composite Cheek	33	6	-	540	225	35	18
A5849	Deck Mounting Plate With 2 A2021F	51	6	4	350	115	50	25



Part	Description	Length mm	Max Line Dia. mm	Shackle Pin mm	Breaking Load kg	MWL kg	Weight g	Fixing Hole Centres mm
A2024	Triple	50	6	-	650	320	47.9	-
A2024HL	Triple High Load	50	6	-	650	400	63	20
A2024F	Triple With Fork	51	6	5	650	320	48	-
A2025	Triple With Becket	66	6	-	650	320	52.9	-
A2024A	Articulating Triple	50	6	-	650	300	42.9	-

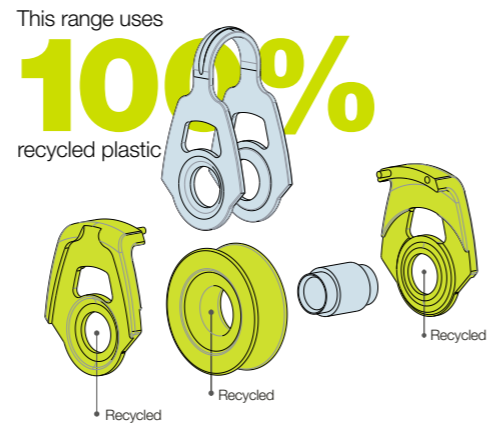


Part	Description	Length mm	Max Line Dia. mm	Shackle Pin mm	Breaking Load kg	MWL kg	Weight g
A2024-677	Triple With Inverted Cleat	55	6	-	650	320	86.9
A2025-677	Triple, Inverted Cleat & Becket	66	6	-	650	320	86.9
A2027	Triple, Cleat & Becket	75	6	-	650	320	86.9
A2027NB	Triple With Extended Cleat	75	6	-	650	320	98

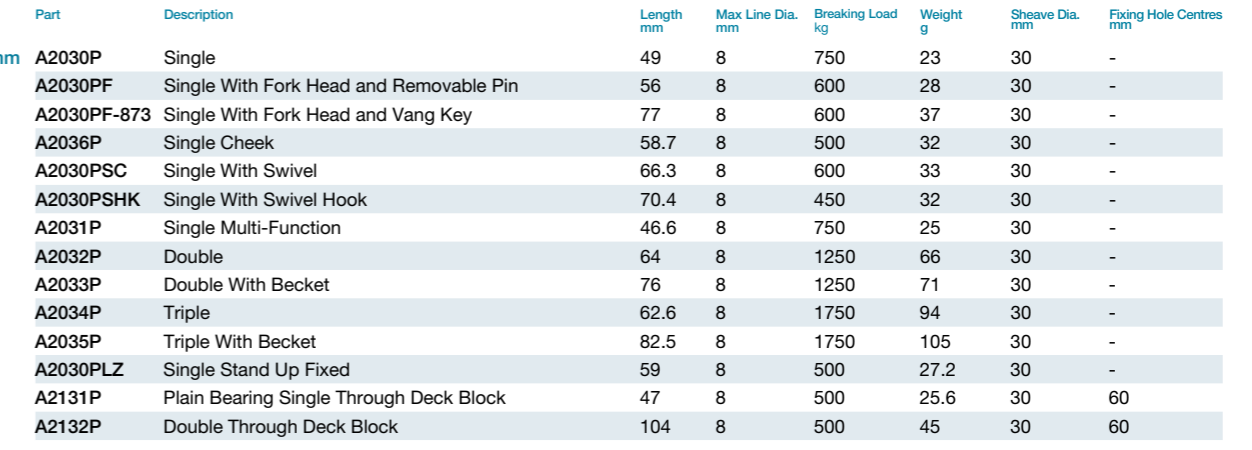


Part	Description	Length mm	Max Line Dia. mm	Shackle Pin mm	Breaking Load kg	MWL kg	Weight g	Fixing Hole Centres mm
A2121	Single Through Deck	54	6	-	350	105	10.8	42
A2121HL	Single Through Deck Block With Steel Sheave	54	6	-	400	-	10.8	42
A2122	Double Through Deck	60	6	-	350	105	20	64
A2122HL	Double Through Deck Block With Steel Sheave	75	6	-	350	-	20	63
A2123	Flip Flop Block	-	5	-	350	105	19	16
A4251	Single Through Deck	32	6	-	400	105	30	25 x 24
A4502	Stand Up Single	32	6	-	350	105	22	27 x 19

Part	Description	Length mm	Max Line Dia. mm	Shackle Pin mm	Breaking Load kg	MWL kg	Weight g	Fixing Hole Centres mm
A4505	Double Upstand Block	32	6	-	350	105	94	27 x 19
A4710	Lightweight Stand Up Single	34	6	-	350	105	19	26
A2026-PROFIX	Cheek Adaptor For A2021	-	-	-	-	-	3.8	-
A5404S	Shackle Head For A2021	15	-	4	780	-	4.4	-



Plain Bearing Blocks



The new range of plain bearing blocks is made using 100% recycled plastics as well as 20% less material than the previous version. Using the outer cheek and strap from the 20 and 30mm dynamic range allows us to manufacture this new range more efficiently, whilst helping to reduce the long-term impact of plastics and un-recyclable materials on the environment. More Eco-friendly they also feature a grey sheave to differentiate them from the existing dynamic range, which sheave is Black. Plain bearing blocks offer great static loading capabilities at a low weight and cost, making them perfect for take-up systems or applications that don't require high dynamic performance.

Part	Description	Length mm	Max Line Dia. mm	Breaking Load kg	Weight g	Sheave Dia. mm	Fixing Hole Centres mm
20mm A2020P	Single	37	6	540	10	20	-
A2020P-4035	Single With P-Clip	62.4	6	540	13.9	20	-
A2020P-4036	Single With Lacing	52	6	540	13.9	20	15
A2026P	Single Cheek	45	6	350	14.2	20	-
A2020PSC	Single With Swivel	53	6	350	18	20	-
A2020PSHK	Single With Swivel	57.7	6	350	17.9	20	-
A2020PTi3	Plain Bearing Ti3-On	29	6	540	7	20	-
A2020PTii	Tii-On	29	6	540	7	20	-
A2021P	Single Multi-Function Single	35	6	350	10.4	20	-
A2021PHK	Single With Hook	65.5	6	165	16.4	20	-
A2022P	Double	47.6	6	500	29.4	20	-
A2022PSHK	Plain Bearing Double With Swivel Hook	57.7	6	500	32	20	-
A2023P	Double With Becket	59	6	500	31.2	20	-
A2024P	Triple	50.1	6	650	44.6	20	-
A2025P	Triple With Becket	66	6	650	49.6	20	-
A2020PLZ	Single Stand Up Fixed	43	6	540	14.3	20	27
A2121P	Through Deck Single	54	6	400	10.8	20	42
A2122P	Plain Bearing Double Through Deck Block	75	6	350	20	20	63

Part	Description	Length mm	Max Line Dia. mm	Breaking Load kg	Weight g	Sheave Dia. mm	Fixing Hole Centres mm
30mm A2030P	Single	49	8	750	23	30	-
A2030PF	Single With Fork Head and Removable Pin	56	8	600	28	30	-
A2030PF-873	Single With Fork Head and Vang Key	77	8	600	37	30	-
A2036P	Single Cheek	58.7	8	500	32	30	-
A2030PSC	Single With Swivel	66.3	8	600	33	30	-
A2030PSHK	Single With Swivel Hook	70.4	8	450	32	30	-
A2031P	Single Multi-Function	46.6	8	750	25	30	-
A2032P	Double	64	8	1250	66	30	-
A2033P	Double With Becket	76	8	1250	71	30	-
A2034P	Triple	62.6	8	1750	94	30	-
A2035P	Triple With Becket	82.5	8	1750	105	30	-
A2030PLZ	Single Stand Up Fixed	59	8	500	27.2	30	-
A2131P	Plain Bearing Single Through Deck Block	47	8	500	25.6	30	60
A2132P	Double Through Deck Block	104	8	500	45	30	60

High Roller Blocks

TiiTAN & XHL

High Roller Block Range - High performance blocks designed for high stakes sailing.

Lightweight aluminium side cheeks encapsulate an aluminium sheave, which free spins on roller bearings and side load ball bearings.

Easily unassembled and serviced to give longer lasting high performance.

Ideal for fast running and highly loaded lines on big boats. Applications such as: mainsheets, runners, halyards, spinnaker systems, jib sheets and control lines.

TiiTAN

The TiiTAN Block is a further development from our XHL range. Weighing in at only 28 grams makes the TiiTAN the lightest and strongest 30mm ball bearing pulley available on the market. This is an incredible 30% weight reduction when compared to the 30mm XHL block.

Find out more by scanning the QR code



Fanatic, Cape 31 – Credit: Paul Wyeth



Features:

- Ceramic ball bearings for reduced friction in salt water.
- Titanium sheave for maximum weight reduction.
- Chamfered rope guide for soft attachment with two lashing holes.
- Upgraded XHL bearing system

HIGH ROLLER BLOCKS

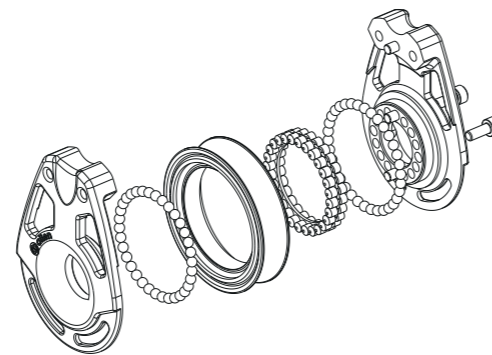
TiiTAN BLOCK

A9040

This is the smallest block available on the market which features a high load two-stage roller bearing system. Roller (needle) bearings take the main loads of the sheave and offer great sheave rolling speeds at high loads. The side load ball bearings cater for any off-centre loading and minimise friction further.

A9060

The 60mm high roller block features caged roller (needle) bearings. The cage keeps the rollers spread evenly around the sheave whilst also stopping the rollers from rubbing together. This reduces friction and allows for faster rolling speeds. The side load ball bearings cater for any off-centre loading and minimise friction further.



Part	Description	Breaking Load kg	Length mm	Max Line Dia. mm	MWL kg	Sheave Dia. mm	Weight g	Hole Centres mm
A9040	Single Tii-On High Roller	2000	55	10	800	40	47	-
A9060	Single Tii-On High Roller	4000	83	13	2000	60	132	-
SA9040	Servicing Kit For A9040	-	-	-	-	-	-	-
SA9060	Servicing Kit For A9060	-	-	-	-	-	-	-

XHL

The XHL range has been designed to deal with extremely high loads without compromising on low load dynamic performance. This is achieved with our XHL bearing system which features twin rows of stainless steel ball bearings running on a stainless steel axle paired with a precision plain bearing washer. When the XHL range is exposed to extreme static loads, it changes to a plain bearing block. Stopping the ball bearings from getting damaged. As soon as the static load is reduced the XHL returns to a high-performing dynamic block.

Features:

- Stainless steel ball bearings for long lasting performance.
- Stainless steel sheave with V profile, optimised for the fast running of rope without weakening the working load of the line.
- Aluminium side cheeks for a stronger and longer-lasting body which holds its shape under extreme loads.
- Available in six colours: Blue, Black, Silver, Gold, Orange, Purple.

The TiiTAN and XHL range is ideal for use in vang cascades and halyard or control line turning points where static loads can be extremely high but low load dynamic performance is required.

Part	Description	Breaking Load kg	MWL kg	Sheave Size mm	Length mm	Maximum Line Dia. mm	Weight g
A2020XHL	Extreme High Load Block	900	400	20	29	6	17
A2031XHL-873	Extreme High Load Vang Block With SA.873	1000	500	30	57	8	55
A2030XHL	Extreme High Load Block	1250	500	30	43	8	41
A2040XHL	Extreme High Load Block	1500	650	40	54	8	71
A9031-873	TiiTAN Vang Block With SA.873	1000	500	30	69	8	43
A9030	TiiTAN Block	1250	500	30	40	8	28



Tii-On Blocks

Our Tii-On Blocks feature a stainless steel loop at the head of the block. This gives our range maximum strength and reliability with minimal cheek separation when tied on and loaded up with a soft shackle. The stainless steel head loop also ensures the block stays in the right orientation when being used.



Part	Description	Length mm	Max Line Dia. mm	Breaking Load kg	MWL kg	Weight g
A2020Tii	Single Tii-On	29	6	540	115	8
A2022Tii	Double Tii-On	29	6	600	225	15.6
A2030Tii	Single Tii-On	42	8	750	140	24
A2032Tii	Double Tii-On	42	8	1250	280	48
A2040Tii	Single Tii-On	58	10	800	180	34.5
A2050Tii	Single Tii-On	72	10	900	300	61
A2060Tii	Single Tii-On	84	10	1400	700	91

Tii-Shackles

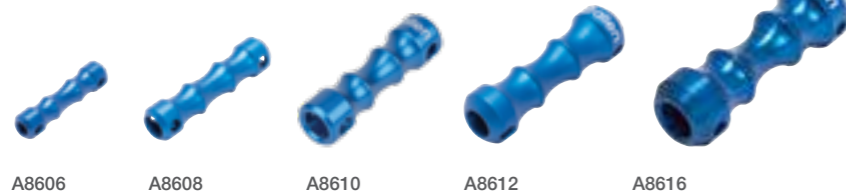
This simple and easy attachment system will save weight and give you more options for attaching blocks. Tii-Shackles feature an adjustable loop to make attachment quick and easy. Perfectly designed for use with our Tii-On blocks and Pad-Tii ranges.



Part Number	Description	For Use With	Length mm	Diameter mm	Breaking Load kg	Weight g
A15100	Tii-Shackle	A2020Tii	100	1.5	200	0.6
A15110	Tii-Shackle	20 & 30mm Tii-Blocks	110	1.5	360	0.9
A20110	Tii-Shackle	A2022Tii	110	2	200	1.3
A25110	Tii-Shackle	A2030Tii	110	2.5	300	4.8
A25120	Tii-Shackle	A2032Tii	120	2.5	300	-
A25130	Tii-Shackle	A2040Tii	130	3	400	-
A40140	Tii-Shackle	A2050Tii	140	4	600	-
A40180	Tii-Shackle	A2060Tii	180	4	600	-

Dog Bones

Allen Dog Bones can be used in a variety of applications. Ideal for use with soft shackles as rope stops. CNC machined from aluminium our Dog Bones are extremely hard wearing. Available in 6 colours. Black, Blue, Gold, Silver, Purple and Orange



Part Number	Description	Length mm	Maximum Outside Diameter mm	Minimum Outside Diameter mm	Rope Diameter mm	*Safe Working Load kg	*Breaking Load kg	Weight g
A8606	Dogbone	24	6	4	2 - 4	350	600	1
A8608	Dogbone	32	8	6	4 - 5	600	1100	3
A8610	Dogbone	10	10	6.5	6	900	1800	4.6
A8612	Dogbone	40	12	7	5 - 6	1400	2500	7
A8616	Dogbone	48	16	8	6 - 8	2000	3500	14

*Estimated Loads

High Load Thimbles

Thimbles are a great alternative to blocks when there is a need for high static load capabilities. Our high load thimbles come coated in Teflon to help reduce friction. Machined from aluminium and anodised in a choice of 6 colours, black, blue, silver, purple, gold and orange. Also available in stainless steel.



A..82-8
A..82-10
A..82-14



Part Number	Description	Inside Diameter mm	Depth mm	Maximum Working Load kg	Weight g
A..87-15	Aluminium Thimble	6	6	300	1
A..87-20	Aluminium Thimble	8	8	400	2
A..87-25	Aluminium Thimble	10	10	800	5
A..87-30	Aluminium Thimble	12	12	1000	7
A..87-35	Aluminium Thimble	15	14	1500	11
A..87-50	Aluminium Thimble	20	21	2000	40
A..87-75	Aluminium Thimble	28	31	2500	154
A..87-90	Aluminium Thimble	28	39	3000	289
A..82-8	Stainless Steel Thimble	8	5	150	0.5
A..82-10	Stainless Steel Thimble	9	6	250	2
A..82-14	Stainless Steel Thimble	14	8	300	1.5

Pad-Tii

Pad-Tii's are a soft attachment deck fitting which are a great choice if you are looking to add an attachment point to a surface that is low profile and easy to thread rope around. To find out more go to page 61.



Part Number	Description	Fixing Hole Centres mm	Fixing Hole Depth Maximum mm	Fixing Hole Depth Minimum mm	Fixing Hole Diameter mm	Outside Diameter mm	Breaking Load kg	Maximum Working Load kg	Weight g
A8639-6	Pad-Tii	13	8	6	12.8	19	350	250	21
A8639-8	Pad-Tii	13	10	8	12.8	19	350	250	21
A8639-10	Pad-Tii	13	12	10	13	19	350	250	21
A8739-6	Pad-Tii	17	8	6	16	24	400	300	7
A8739-8	Pad-Tii	17	10	8	16	24	400	300	7
A8739-10	Pad-Tii	17	12	10	16	24	400	300	7
A8739-18	Pad-Tii	17	20	18	16	24	400	300	10
A881310	Pad-Tii Fixed Bar	13	10	4.5	12.8	19	350	250	8
A881610	Pad-Tii Fixed Bar	17	10	4.5	16	24	575	350	10
A82525	Pad-Tii Fixed Bar	25	25	5	25	38	1400	700	33

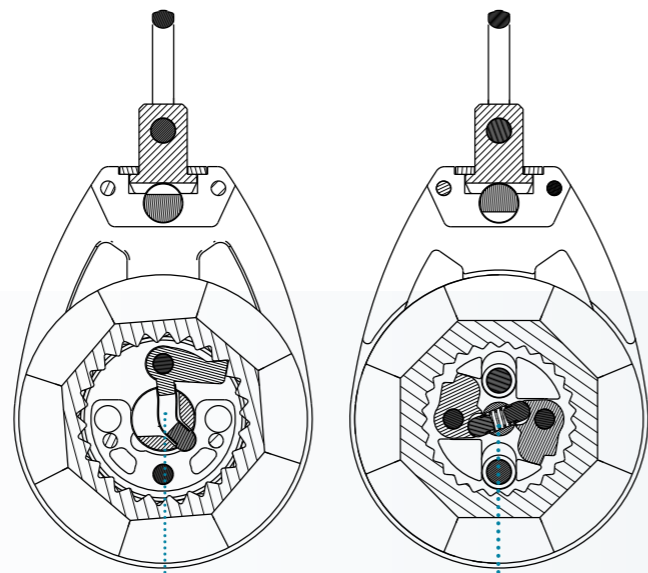
Ratchet Blocks

AutoRatchet

The Allen AutoRatchet Blocks were the first of their kind on the market some 30 years ago. Years of constant development, with the World's top sailors, has led us to the release of our X2 AutoRatchets. The new "X2" pawl system which incorporates two pawls into the mechanism ensures that the load is evenly shared between both pawls, this means that the block can withstand higher working loads while also increasing both the reliability and longevity. It also features the patented swivel head lock system which can be fixed in position, allowing for more setup options.

Switchable Ratchet

Allen Switchable Ratchet Blocks can easily be switched on or off, even under load. The patented swivel head lock system can be fixed in position, allowing for more setup options. The sheave design gives high grip under load while allowing easy release when required.



A2160
Switchable-ratchet block - Ratchet mechanism can be switched on and off as required.

A2360
AutoRatchet block - Load sensitive AutoRatchet which is triggered when block comes under load.

Wave Ratchet

The wave ratchet offers 20 to 40%* more grip without adding any additional wear to the rope.

The most effective way to increase friction is to add sharp edges to the ratchet sheave, but this quickly deteriorates and wears away the rope. So, after working alongside leading rope manufacturers the Allen design team came up with a simple solution which improves grip without chewing away at your expensive rope.

The Wave Ratchet sheave has an offset V style grip, made from a hard-wearing recycled plastic nylon, which does not have sharp edges that will eat into the rope. Instead, by adjusting the V formation in the sheave to be slightly offset, the ratchet now grips the rope at additional points around the sheave, resulting in more grip. However, the new Wave Ratchet not only improves grip but as a result of the design it also allows for a less 'jumpy' feel when easing the sheets.

*Depends on the type of rope in use with the sheave.



A2160WAVE

A2360WAVE

Part	Description	Sheave Dia. mm	Length mm	Max Line Dia. mm	Shackle Pin mm	Breaking Load kg	Trigger Load kg	MWL kg	Weight g
A2160WAVE	Pro-Ratchet With Wave Sheave	60	110	12	5	1000	-	275	110
A2360WAVE	X2 Wave AutoRatchet	60	110	12	5	1000	10	275	139



A2140 A2345 A2150

A2345
"Perfect for our kite sheets. Turns on and off exactly when you want it to."
Fynn Sterritt



A2160 A2150C A2160C A2150FIDDLE A2160FIDDLE A2360

Part	Description	Sheave Dia. mm	Length mm	Max Line Dia. mm	Shackle Pin mm	Breaking Load kg	Trigger Load kg	MWL kg	Weight g
A2140	Pro-Ratchet 40	40	78	6	4	475	-	120	40
A2345	X2 AutoRatchet	45	90	8	4	280	10	140	56
A2150	Pro-Ratchet 50	50	95	10	4	700	-	200	64.5
A2150C	Pro-Ratchet 50 With Cheek Adaptor	50	92	10	4	700	-	200	80
A2150FIDDLE	Pro-Ratchet 50 With Fiddle	50	126	10	4	700	-	200	80
A2160	Pro-Ratchet 60	60	110	12	5	1000	-	275	110
A2160C	Pro-Ratchet 60 With Cheek Adaptor	60	108	12	5	1000	-	275	139
A2160FIDDLE	Pro-Ratchet 60 With Fiddle	60	150	12	5	1000	-	275	139
A2360	X2 AutoRatchet	60	110	12	5	1000	10	275	110



A2151 A2161 A2058 A2068 A2159 A2169 A.622

A2169 & A2069
"The Quint mainsheet system is really, really smooth"
Laura Marimon

Part	Description	Sheave Dia. mm	Length mm	Max Line Dia. mm	Shackle Pin mm	Breaking Load kg	MWL kg	Weight g
A2151	Pro-Ratchet With Becket & Cleat	50	136	10	4	700	200	64.6
A2058	Triple With Switchable Ratchet & Adjustable Cleat	50	120	10	4	950	470	394
A2159	Quint With Switchable Ratchet, Becket & Cleat	50	136	10	4	700	200	503
A2161	Single Switchable Ratchet With Becket & Cleat	60	127	12	5	1000	275	333
A2068	Triple With Switchable Ratchet, Becket & Cleat	60	145	12	5	1250	600	535
A2169	Quint With Switchable Ratchet, Becket & Cleat	60	148	12	6	1000	600	750
A.622	Spring Guard For Ratchets	-	-	-	-	-	-	2.5

Flip Flop Blocks

Deck Organiser

30mm Flip Flop Blocks

Flip flop blocks are designed to pivot around a central fixing point, this keeps the rope close to the deck, mast or boom whilst still allowing the block to articulate to the correct lead angle, ensuring friction stays as low as possible whilst still guiding the rope to where it needs to go.



Part	Description	Breaking Load kg	Fixing Hole Centres mm	Fixing Hole Size mm	Max Line Dia mm	MWL kg	Sheave Size mm	Weight g
A4988X	Lightweight Flip Flop Cleat With Removable Sheave	-	85.5	5	10	100	30	108
A2133	Flip Flop Block	700	20	5	8	140	30	53
A2133-677	30mm Flip Flop Block With A.677 Cleat	700	20	5	8	140	30	119
A2133-77	30mm Flip Flop Block With A..77 Cleat	700	20	5	8	140	30	128

30mm



Blaze Nationals - Credit: Nick Champion

FLIP FLOP BLOCKS

DECK ORGANISER

40mm Flip Flop Blocks



Part	Description	Breaking Load kg	Fixing Hole Centres mm	Fixing Hole Size mm	Max Line Dia mm	MWL kg	Sheave Size mm	Weight g
A2143	40mm Flip Flop Block	-	60.3	5	10	150	40	77
A2143-676	40mm Flip Flop Block with Allenite Cam Cleat	-	60.3	5	10	150	40	210
A2143-76	40mm Flip Flop Block With Cam Cleat	-	60.3	5	10	150	40	255

40mm

Deck Organiser

Designed for leading control lines and halyards along a deck or coach roof.

Features dynamic bearing sheaves. Which uses twin rows of stainless-steel ball bearings running on a stainless-steel rail. This provides a superior load-carrying ability and longevity when compared to other bearing systems which run on a plastic rail.

The cheeks are made from marine grade aluminium and anodised black.



Part	Description	Breaking Load kg	Length mm	Max Line Dia mm	MWL kg	Sheave Dia. mm	Weight g
A2423	20mm Deck Organiser	540	87	6	115	20	41
A2433	30mm Deck Organiser	700	118	8	140	30	86
A2443	40mm Deck Organiser	700	170	16	200	40	208

Wire Blocks

Wire Blocks

Specifically intended for use where wire lines are subjected to low rotational high loads. The range uses stainless-steel side cheeks to give maximum strength in the smallest form possible and a single row of spaced stainless-steel ball bearings in the sheave. Available with different accessories including hooks, becket, swivels and shackles giving a whole range of choice to suit the application.



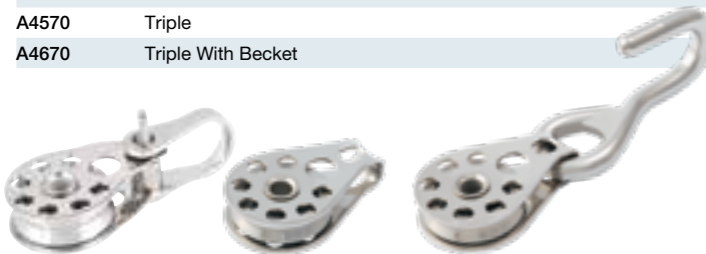
Nick Evans - Optimist - Credit: Sportography TV



A4068



Part	Description	Sheave Diameter mm	Length mm	Max Line Dia. mm	Shackle Pin mm	Breaking Load kg	Weight g
A4568	Single	16	29	2 - 4	4	400	11
A4668	Single With Becket	16	50	4	4	400	40
A4569	Double	16	40	2 - 4	4	400	25
A4669	Double With Becket	16	50	2 - 4	4	400	26
A4570	Triple	16	40	2 - 4	4	400	36
A4670	Triple With Becket	16	50	2 - 4	4	400	38



Part	Description	Sheave Diameter mm	Length mm	Max Line Dia. mm	Shackle Pin mm	Breaking Load kg	Weight g
A4279	Single Flared Cheek	25	41	2 - 7	5	750	44
A4379	Single Fixed Head	25	41	2 - 5	5	750	25
A4379HK	Single With Hook	25	105	2 - 6	-	500	81



A4379HK-90 A4393 A4393HK A4479 A4993 AB1342



Part	Description	Sheave Dia. mm	Length mm	Max Line Dia. mm	Shackle Pin mm	Breaking Load kg	Weight g
A4379HK-90	Single With 90 Degree Hook	25	90	2 - 6	-	500	81
A4393	Single Fixed Head With Becket	25	59	2 - 5	5	750	31
A4393HK	Single Fixed Head And Becket With Hook	25	103	2 - 5	-	750	81
A4479	Single With Shackle	25	58	2 - 5	5	750	33
A4993	Single Clevis Pin Head	25	43	2 - 5	5	750	31
AB1342	Brass Sheaved Plain Bearing	20	37	6	-	540	-
A4679	Double Fixed Head	25	57	2 - 5	5	750	54
A4779	Double Fixed Head With Becket	25	70	2 - 5	5	750	60
A4593	Triple Fixed Head	25	57	2 - 5	5	750	78
A4693	Triple Fixed Head With Becket	25	70	2 - 5	5	750	84
A4979	Quad Fixed Head	25	51	2 - 5	5	750	89



A4196 A4296 A4396



Part	Description	Sheave Dia. mm	Length mm	Max Line Dia. mm	Shackle Pin mm	Breaking Load kg	Weight g
A4196	Single Fixed Head	38	62	2 - 6	5	1000	71
A4296	Single With Shackle	38	74	2 - 6	5	1000	80
A4396	Single Fixed Head With Becket	38	80	2 - 6	5	1000	84
A4496	Double Fixed Head	38	74	2 - 6	5	1000	141
A4596	Double Fixed Head With Becket	38	93	2 - 6	5	1000	150
A4696	Triple Fixed Head	38	74	2 - 6	5	1000	195
A4796	Triple Fixed Head With Becket	38	93	2 - 6	5	1000	208
A4068	Optimist Sprit	16	55	2 - 4	4	400	20

BLOCKS

CLEATS &
JAMMERS

TRACK &
KEELBAND

DECK & HULL
FITTINGS

SPARS &
RIGGING

RUDDERSTOCK
& ACCESSORIES

SAILMAKERS
HARDWARE

SHACKLES

ACCESSORIES

DISTRIBUTORS &
MAJOR STOCKIST

PRODUCT CODE
INDEX



**SAIL-VOILE
CANADA**

Hardware partner to the Canadian Sailing Team



www.allenbrothers.co.uk



[allensailinghardware](https://www.facebook.com/allensailinghardware)



[@allen_sailing](https://twitter.com/allen_sailing)



[@allen_sailing](https://www.instagram.com/allen_sailing)



sales@allenbrothers.co.uk