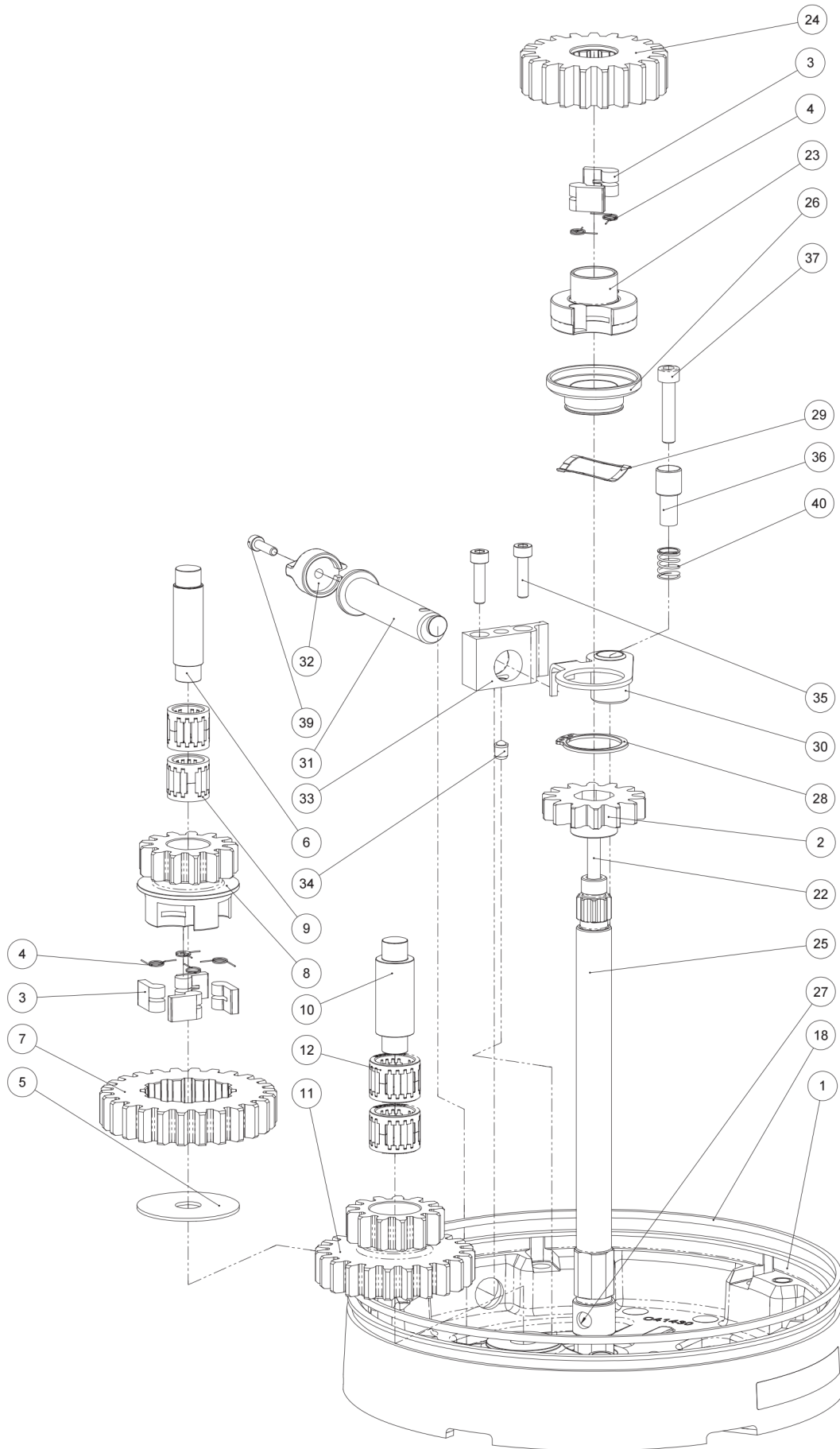


Radial[®] 60 STA Rewind[™] Winch



Radial® 60 STA Rewind™ Winch

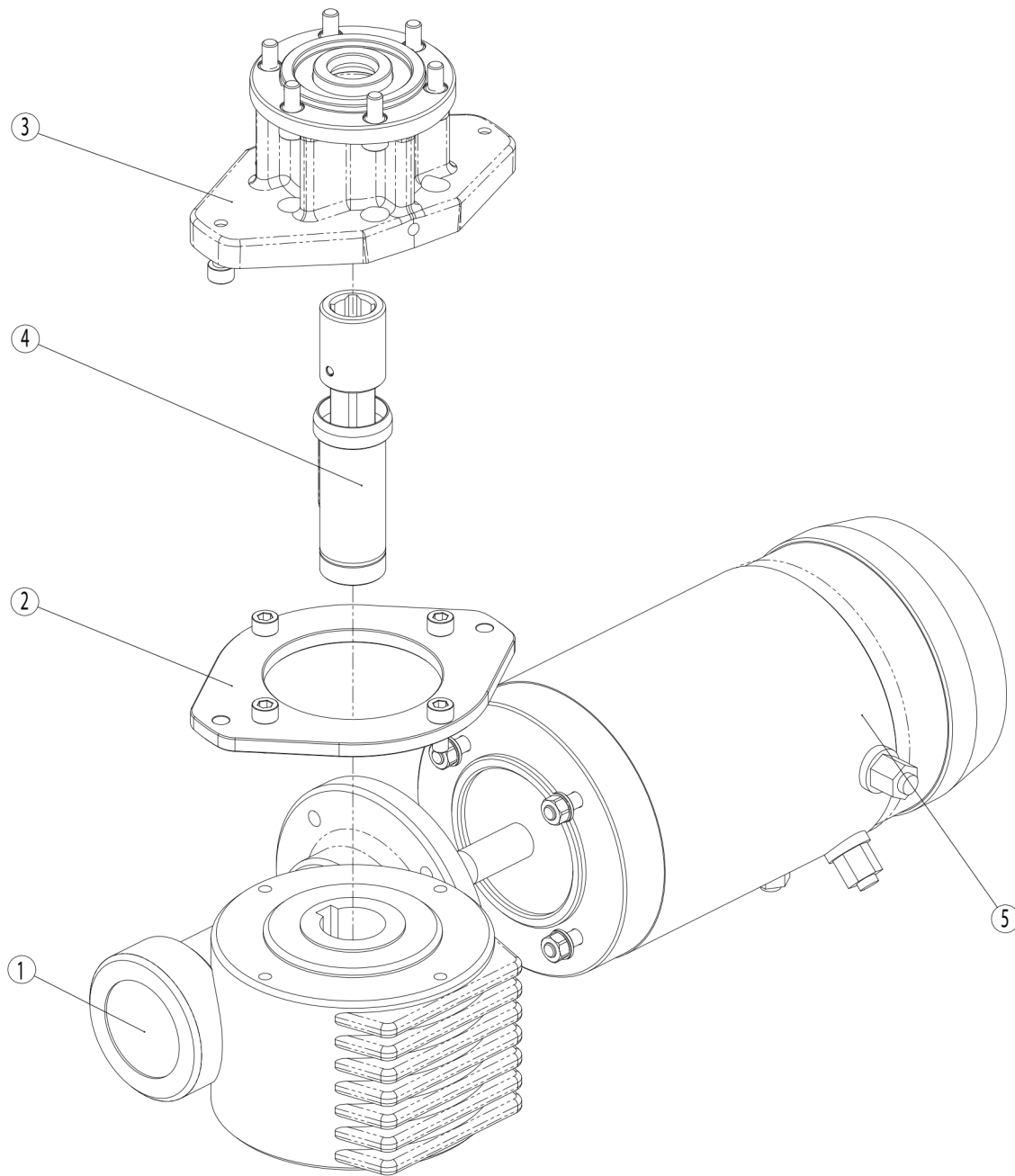
Pos.	Q.ty	Code	Description	Pos.	Q.ty	Code	Description
1	1	A 965758 00	Assy Base W60**	29	1	M 06308 02	SMALLEY RING SSR0137-S17
2	1	S 65755 00 04	Gear Z14 W60	30	1	A 765756 00	Command x W60
3	6	S 00008 00 03	Pawl Ø8*	31	1	A 965757 00	Assy knob W60
4	6	S 00038 00 01	Pawl Spring dia 8*	32	1	S 49740 00 80	Knob W46
5	1	S278170002	Washer 12.5x48x1.5*	33	1	S 65759 00 80	Swich Support W60
6	1	S281010004	Pin for gear	34	1	M6009463	Spring loaded ball plunger Ø6*
7	1	S 41442 00 41	Rachet Gear Z26xN4	35	2	M 06446 03	Hex key M5x20 UNI 5931*
8	1	S 41441 00 04	Pawls Carrier Gear Z13 N4	36	1	S 41653 00 04	Pin for switch W46
9	2	A72821800	Roller Bearing 14/20/18*	37	1	M 06242 03	Screw M6x30*
10	1	S 41603 00 04	Gear Pin Ø12xØ18x52,5	38	1	A 941652 00	Assy socket W46
11	1	S 41448 00 04	Idler and Pinion Z23/Z13 W60	39	1	M0624103	Screw M4x16 UNI5933*
12	2	A 741623 00	Roll bearing 24x18x18*	40	1	S 41859 00 01	Spring Ø10.67x12.7 rif.SPEC C0420-035-0500S*
13	1	A 941431 00	Assy Housing Winch 60 <i>Winch Serial Number Sticker</i>	41	1	S 65762 00 52	Spacer for stripperarm support W60*
14	6	M0606303	Screw M8x25 UNI 5931*	42	3	S 41875 00 03	Screw M6x50 U6107 Teflon Coating*
15	3	A 741450 00	Roller Bearing Ø95xØ107x26*	43	4	M0623103	Screw M6x40 TC DIN84 A4*
16	1	S 41876 00 63	Winch Serial Number Sticker	44	4	M 06017 03	Screw M6x25 UNI 5931*
17	1	S 41443 00 A0	Stripper Arm Housing W60	45	1	S 41917 00 80	Slider
18	1	S 28170 00 97	Red line	46	2	M 06190 03	Screw M5x20 UNI 6109*
19	1	S 65748 00 B1	Cover 2 Speed W60	47	1	S 41658 00 41	Bushing
20	1	A 765750 00	Drum Assembly W60	48	1	S 65746 00 03	Stripper-arm W60
21	50	M 06102 80	Ball 5/16"	49	1	S 41657 00 01	Spring stripper arm W46
22	1	S 65754 00 02	Disconnect rod 60	50	1	S 65747 00 19	Peeler W60 Rewind
23	1	S 65753 00 04	Pawls carrier Ø8xN2*	51	1	S 66578 00 80	Spacer ring Winch 60*
24	1	S 65752 00 41	Gear Z23	52	1	S 65761 00 52	Tapered spacer for W60 drum
25	1	S 65751 00 04	Main shaft W60	53	8	S385970001	Spring*
26	1	S 41626 00 41	Disconnect flange	54	1	S 41436 00 A9	Upper Jaw W60
27	2	M 06141 03	Ball 5-16" inox	55	1	S 65749 00 53	Lower Jaw W60
28	1	M0616603	Seeger Ring UNI 7435:1975 - Ø28 mat. 17-7 Ph				

*Service kit available; see winch kit section on the website www.harken.com

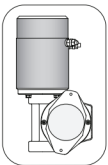
**Winch product sticker



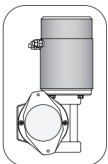
Horizontal electric motor 12V



TOP VIEW



*** Motor installed in right-hand configuration.**



**** Motor installed in left-hand configuration.**

Pos.	Qty	Code	Description
1	1	A 931279 00 A 941949 00	KIT Gear Reduction VF49* KIT LM Gear Reduction VF49**
2	1	A 941492 00	KIT Assy Electric Motor Flange
3	1	A 949665 00	KIT EL HO Motor Flange
4	1	A 965890 00	KIT EL HO Motor Clutch
5	1	A 966568 00	Motor 12 V 1.5 kW