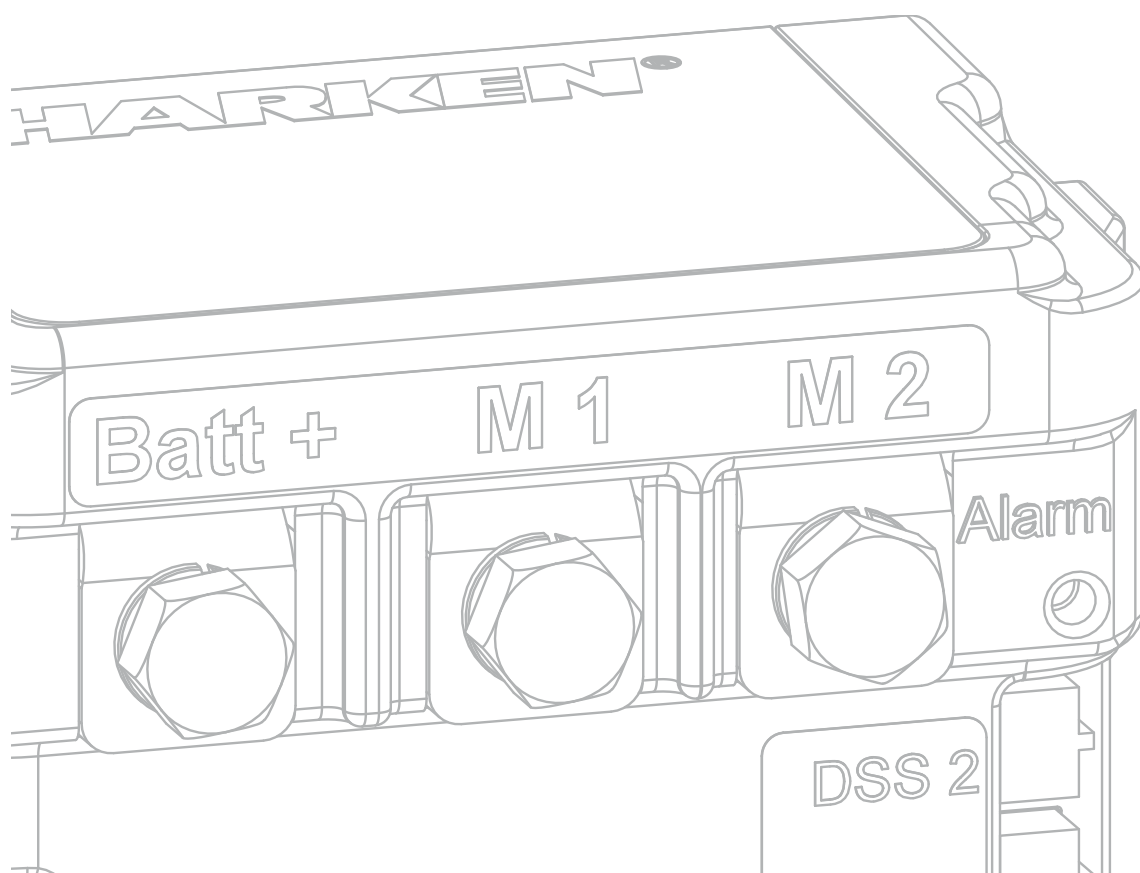


HARKEN®

Dual-Function **Control Box**



Installations manual (EN)

GLOSSARY.....	1
SYMBOLS.....	1
SAFETY INFORMATION.....	2
INTRODUCTION.....	3
WINCH RADIAL-PERFORMA-CLASSIC-FLATWINDER™ 250.....	4
WINCH RADIAL-PERFORMA-CLASSIC-FLATWINDER™ 250 48V.....	5
WINCH REWIND-FLATWINDER™ 500.....	6
WINCH REWIND-FLATWINDER™ 500 48V.....	7
WINCH UNIPOWER.....	8
WINCH UNIPOWER BRS.....	9
WINCH UNIPOWER 48V.....	10
WINCH RADIAL-PERFORMA-REWIND-UNIPOWER-CLASSIC-FLATWINDER™ DSS DECODER.....	11
WINCH REWIND-FLATWINDER™ 500 BRS.....	12
WINCH RADIAL-PERFORMA-CLASSIC-FLATWINDER™ 250 BRS.....	13
CAPTIVE REEL WINCH.....	14
CAPTIVE REEL WINCH BRS.....	15

Intended use: specific and proper use of the device for which it is designed

Improper use: use of the device in a different way from that indicated in the instructions for use specified in this manual

Qualified operator: person who has attended specialisation and training about the use of the device

User: person who uses the device regularly

SYMBOLS



CAUTION!

This denotes mandatory actions by the user; without these actions, the user is subjected to injury and the device can be seriously damaged



NOTE!

This denotes important information concerning the device



CAUTION! Read this manual carefully and fully understood before using the system to avoid personal injury or property damage during system operation.

- Install and use the device only as described in the technical information supplied.
- Improper use can cause severe harms to users, equipment and the boat.
- This information is **DESTINED EXCLUSIVELY** for qualified operators.
- Installation of the device by personnel who are not experts may cause serious damage to the winch and the boat.
- Never substitute any part with one that is not original. Even though they look similar and are both made by Harken®, the non-original part may not be suitable and the warranty will be invalidated.
- Harken® cannot be responsible for damage or injury resulting from unsafe product use, lack of maintenance or incorrect product and/or system installation or operation.
- This manual is an integral part of the device and aims to provide all the information needed for its safe and correct use.
- Install and use the device as described in the technical specifications supplied.
- Failure to install the device will void the warranty of the device itself and the Harken® product to which it is connected. Refer to the warranty on the web site www.harken.com.
- This manual is available only in English. If you do not fully understand the English language, do not carry out the operations described in this manual. For any doubts, questions or comments contact the Harken® distributors nearest to you or contact the Harken® Italy Technical Service by e-mail:
techservice@harken.it
- See www.harken.com for additional safety information.

This manual gives information about the installation of the Dual Function Control Box for the following Harken® products:

- Winch Radial
- Winch Performa
- Winch Rewind
- Winch UniPower
- Winch Classic
- Captive Reel Winch
- FlatWinder™ 250
- FlatWinder™ 500



All other information are described into the User manual for Dual Function Control Box provided by Harken® and explained into the following paragraphs:

- **INTRODUCTION**
- **OVERVIEW**
- **INSTALLATION**
- **USAGE**
- **DIAGNOSTICS, TROUBLESHOOTING AND FAULTS**

The User manual for Dual Function Control Box is provided into the packaging of the winch and available on the website www.harken.com



CAUTION!

The device must only be installed by specialised personnel



CAUTION!

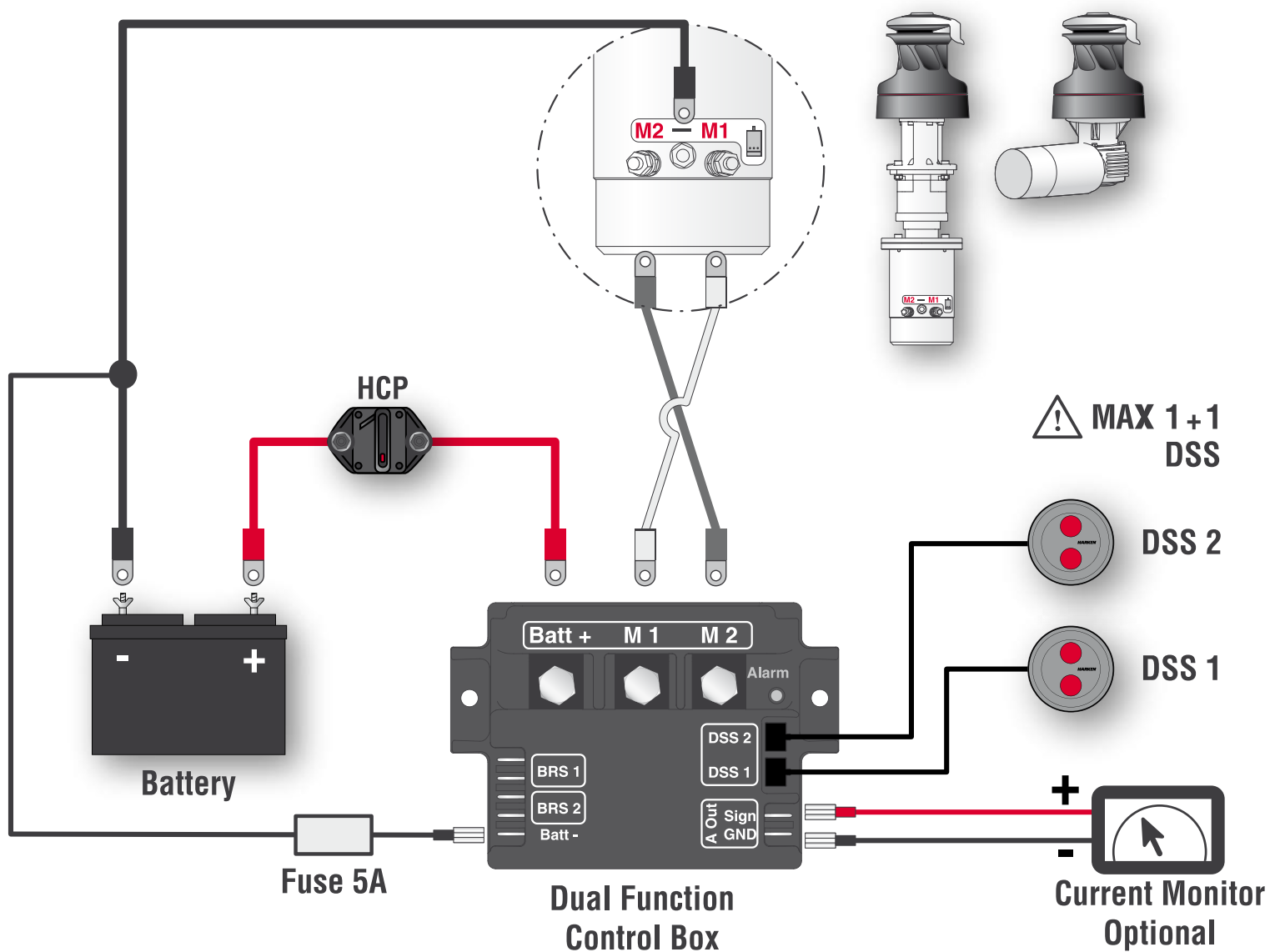
Cut power off before proceeding with installation.



CAUTION!

Each winch features its own Dual Function Control Box: check the correct association before installing.

WINCH RADIAL - PERFORMA - CLASSIC - FLATWINDER™ 250



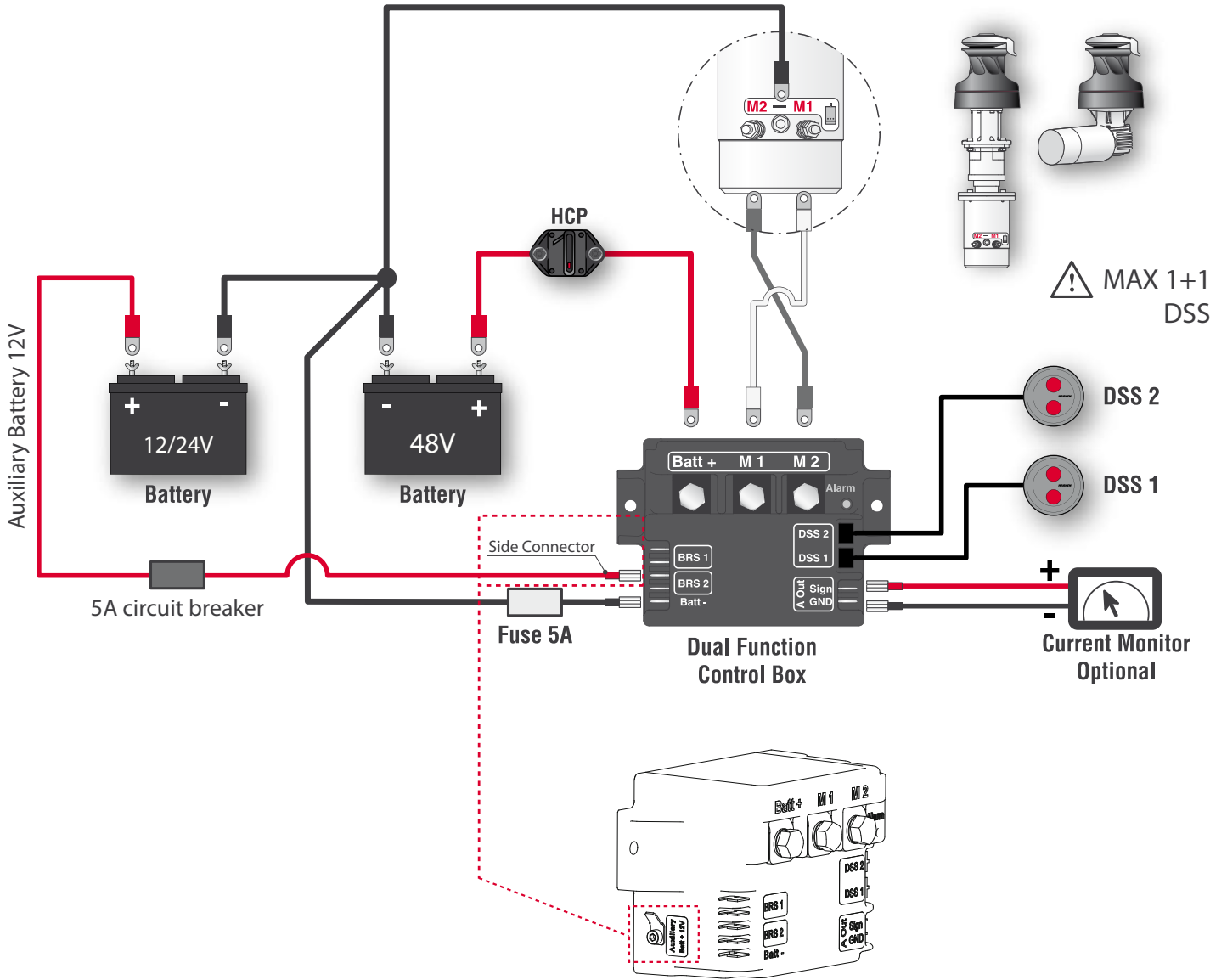
NOTE!

For 2 or less Digital System Switches, the decoder is not necessary

Fig.2

WINCH RADIAL - PERFORMA - CLASSIC - FLATWINDER™ 250

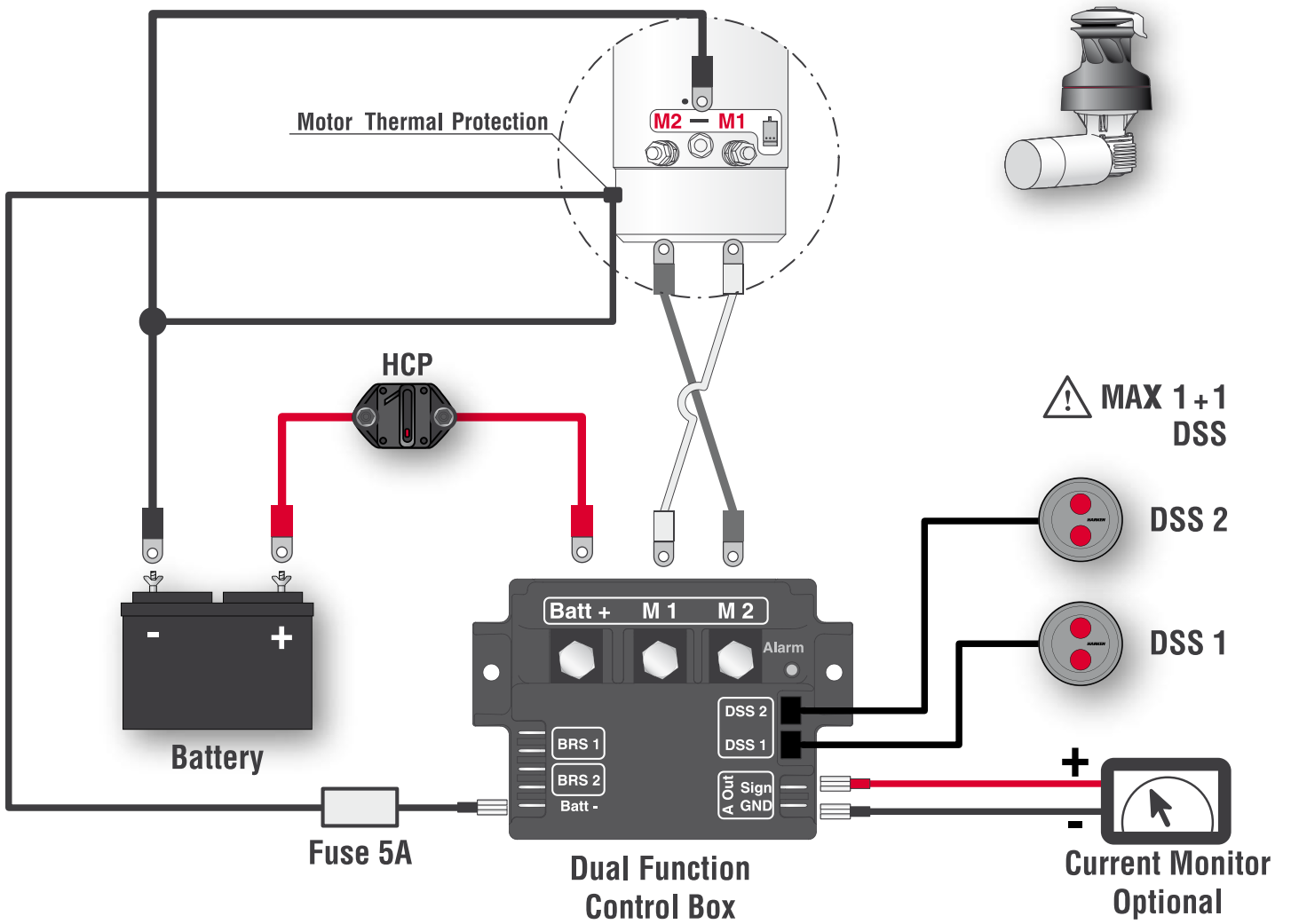
48V



NOTE!

For 2 or less Digital System Switches, the decoder is not necessary

WINCH REWIND - FLATWINDER™ 500

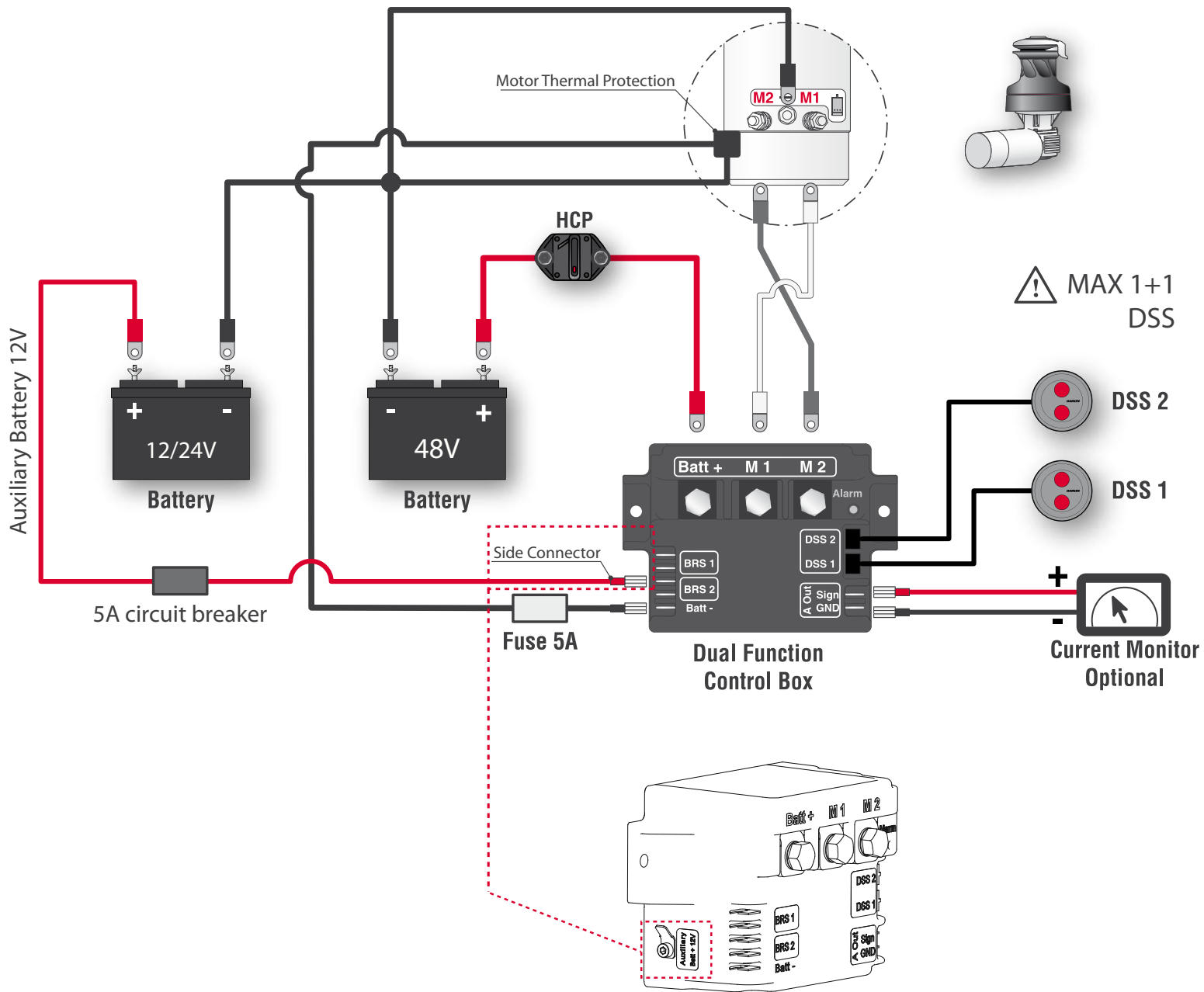


NOTE!

For 2 or less Digital System Switches, the decoder is not necessary

Fig.4

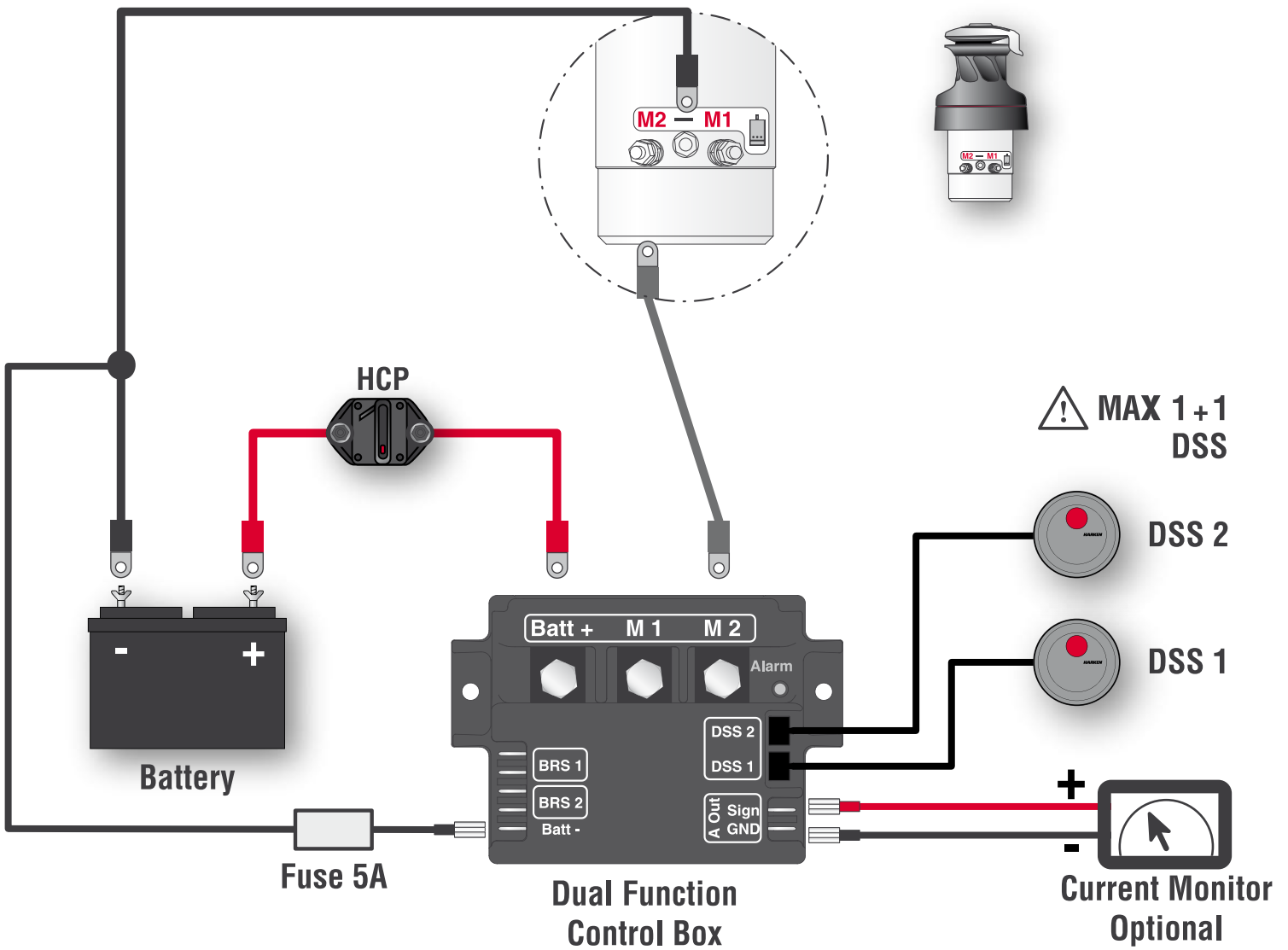
WINCH REWIND - FLATWINDER™ 500 48V



NOTE!

For 2 or less Digital System Switches, the decoder is not necessary

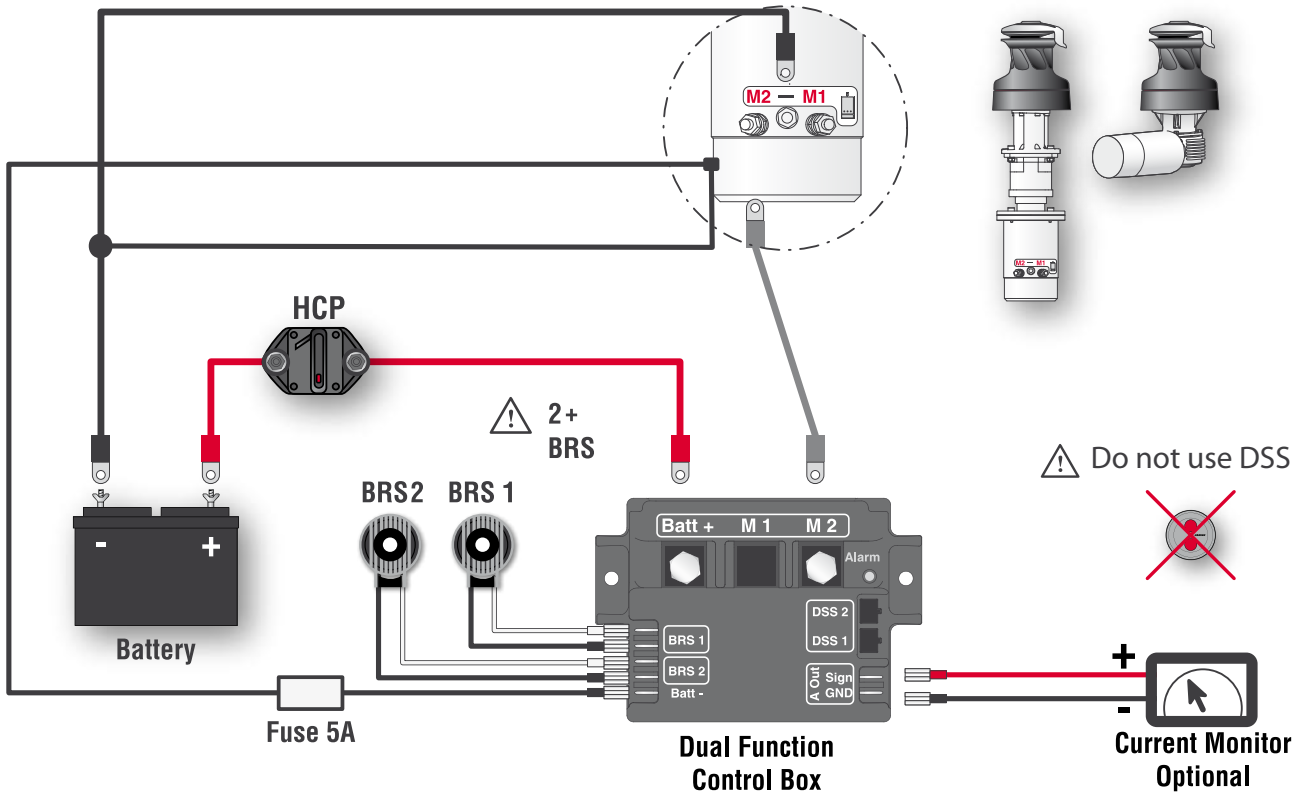
WINCH UNIPOWER



NOTE!

For 2 or less Digital System Switches, the decoder is not necessary

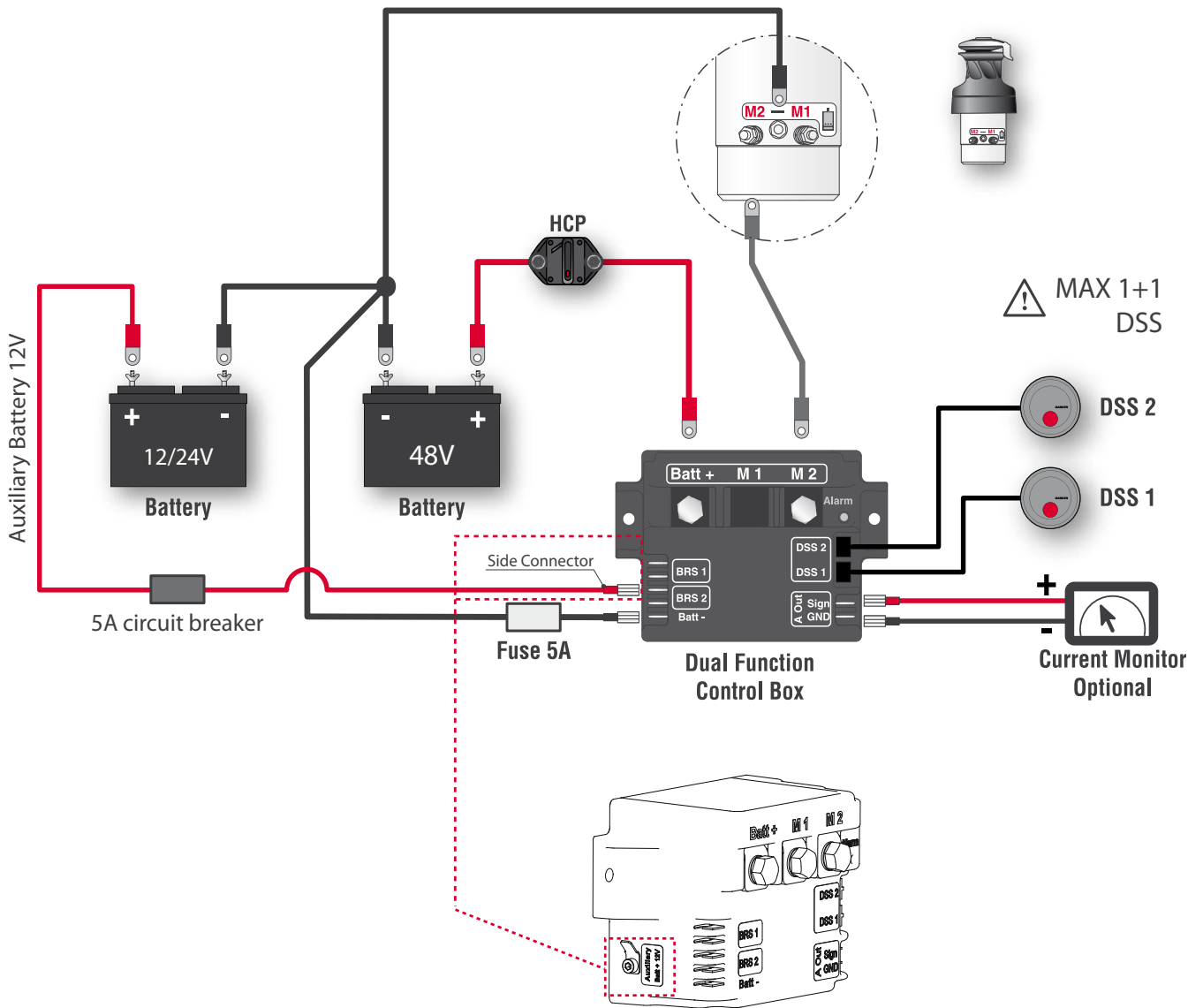
WINCH UNIPOWER BRS



NOTE!

For BRS buttons installations: do not use Digital System Switches

WINCH UNIPOWER 48V

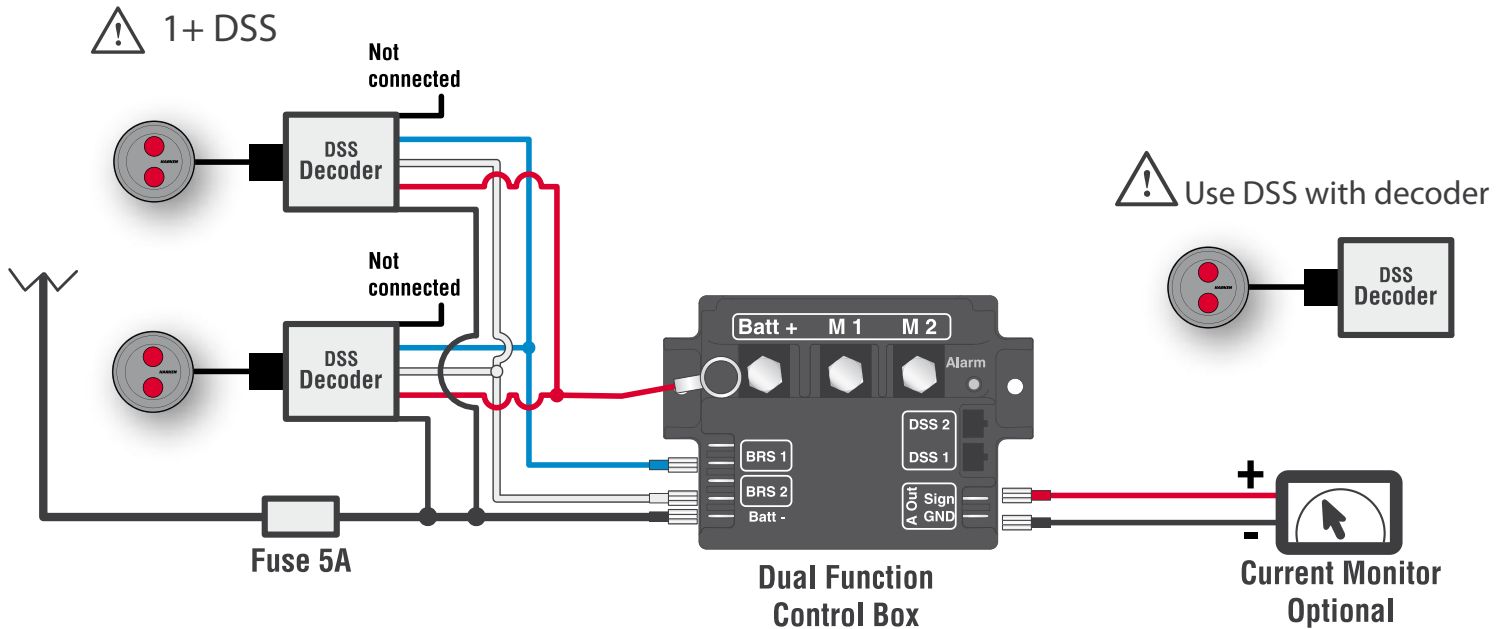


NOTE!

For 2 or less Digital System Switches, the decoder is not necessary

WINCH RADIAL - PERFORMA - REWIND - UNIPOWER - CLASSIC - FLATWINDER™

DSS DECODER



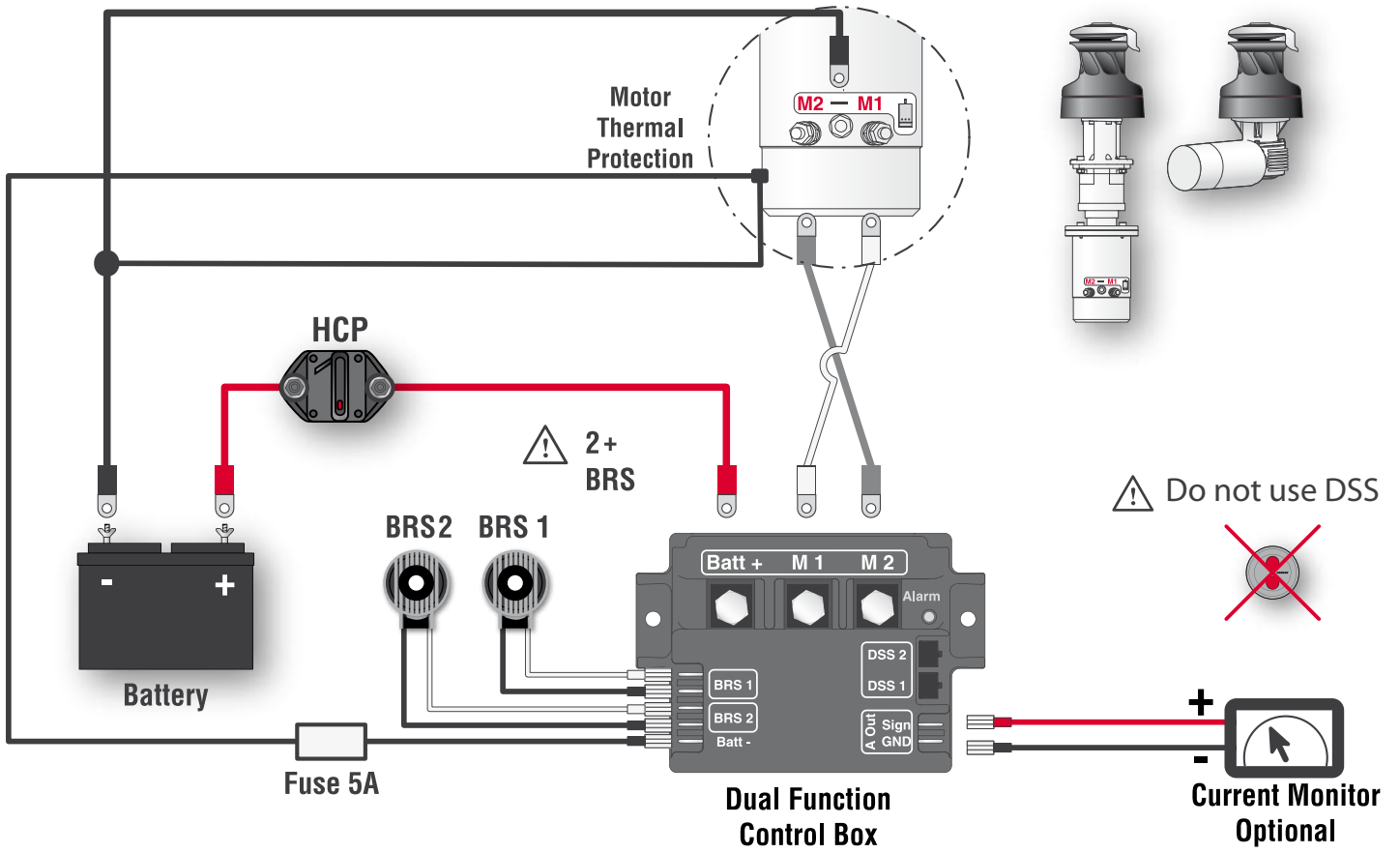
NOTE!

For 2 or more Digital System Switches:

- *the decoder is necessary*
- *connect the DSS outputs to BRS1 and BRS2 inputs*
- *the connection to the motor follows the wiring schemes shown in this manual*
- *for UniPower Winch use Single DSS version*

WINCH REWIND - FLATWINDER™ 500

BRS

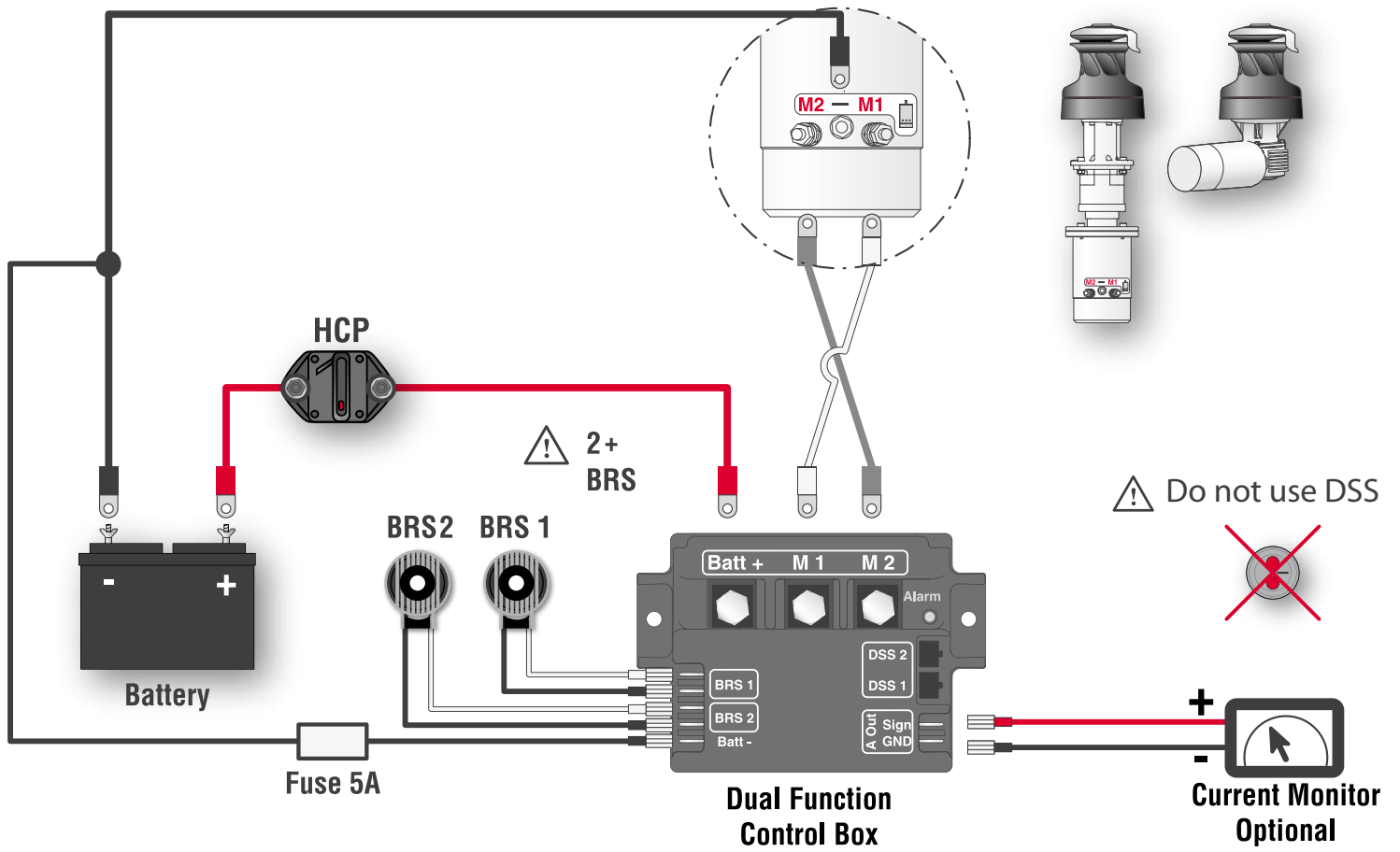


NOTE!

For BRS buttons installations: do not use Digital System Switches

WINCH RADIAL - PERFORMA - CLASSIC - FLATWINDER™ 250

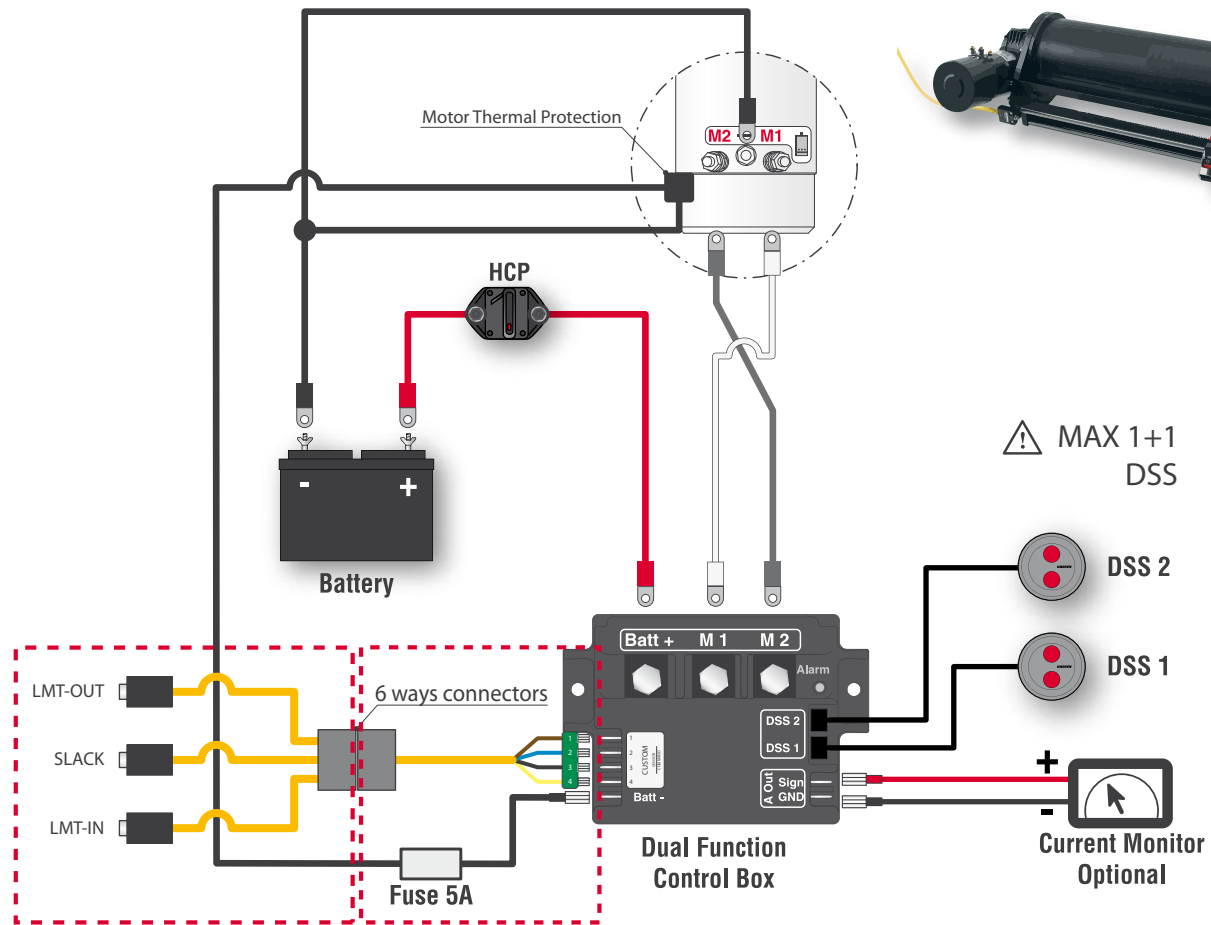
BRS



NOTE!

For BRS buttons installations: do not use Digital System Switches

CAPTIVE REEL WINCH

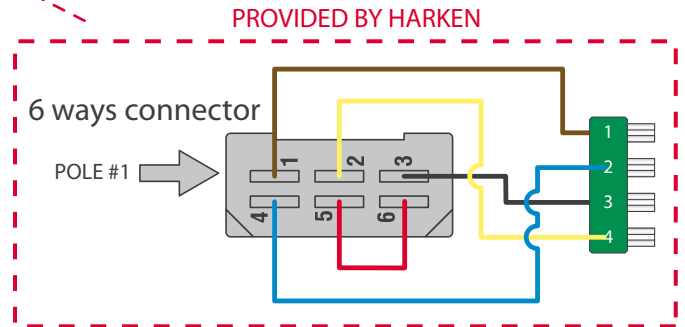
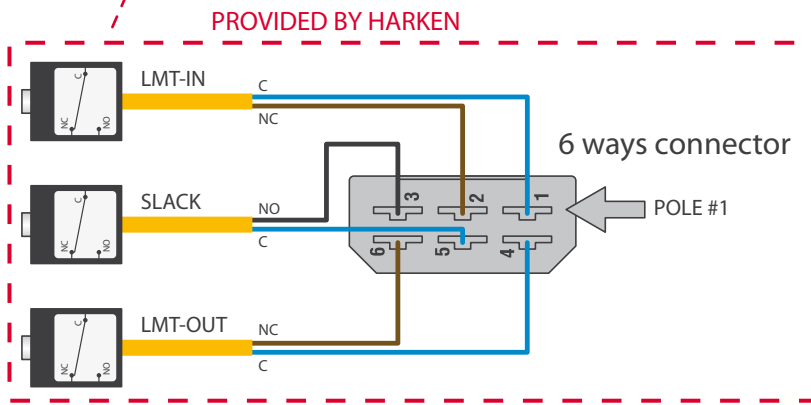


⚠ MAX 1+1
DSS

DSS 2

DSS 1

Current Monitor
Optional

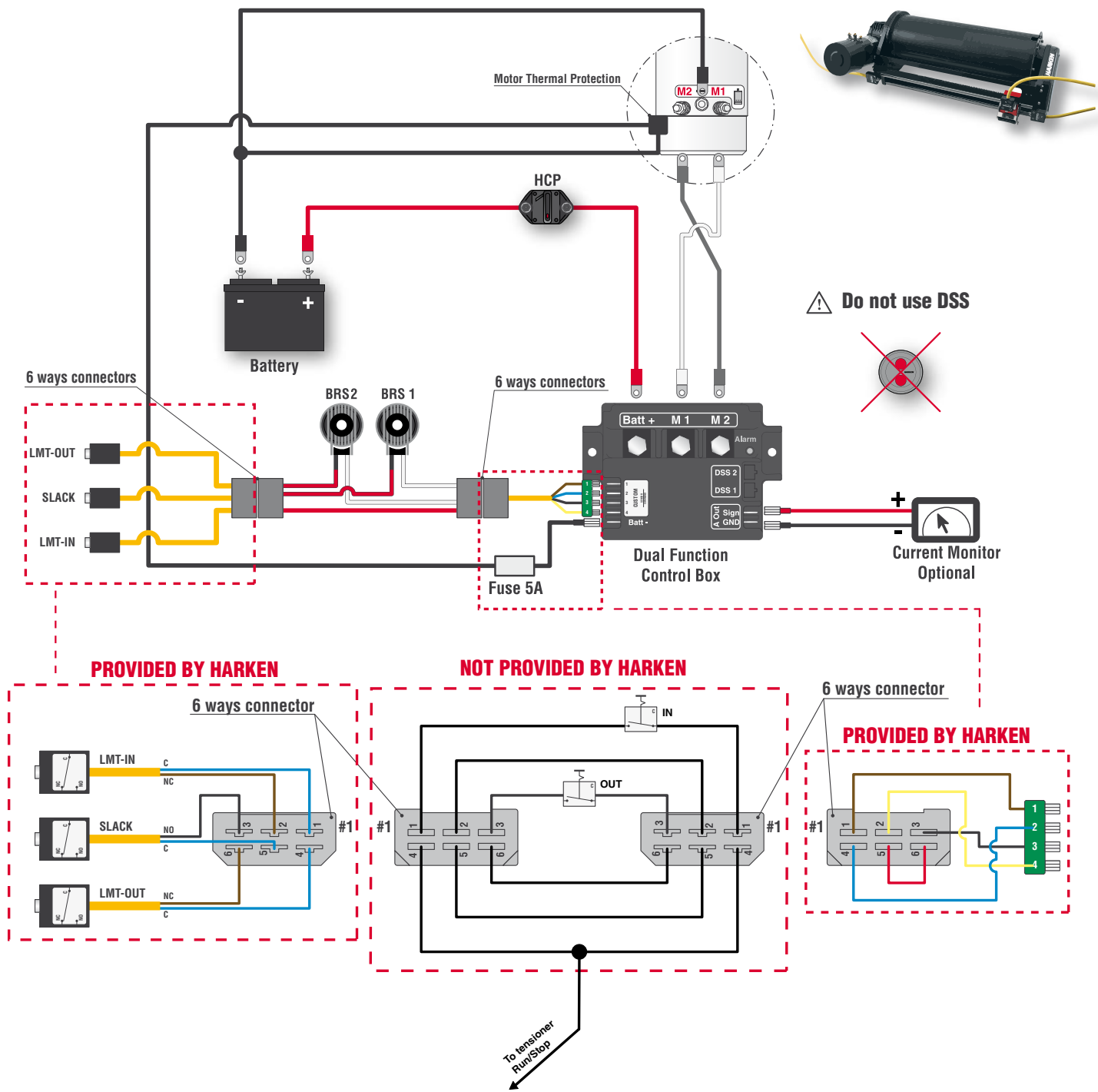


NOTE!

For 2 or less Digital System Switches, the decoder is not necessary

Fig.12

CAPTIVE REEL WINCH BRS



NOTE!

For BRS buttons installations: do not use Digital System Switches

Harken® Italy S.p.A.
Via Marco Biagi, 14
22070 Limido Comasco (CO) Italy
Tel. (+39) 031.3523511
Fax. (+39) 031.3520031
Email: info@harken.it
Web: www.harken.com

ADFCBIM 01