



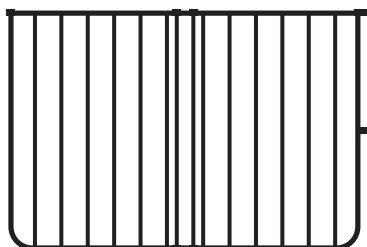
THE STAIR BARRIER®
Keeping children and pets off the stairs

Installation Instructions Wall to Wall

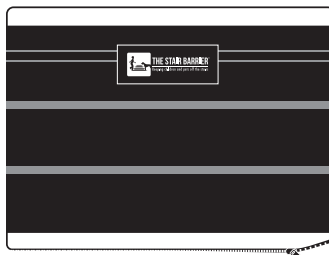
FOR OPENINGS 27" (68cm) - 42.5" (108cm)

Gate is recommended for children between 6 and 24 months. If installing at top of stairs, install a minimum of three inches from end of first step.

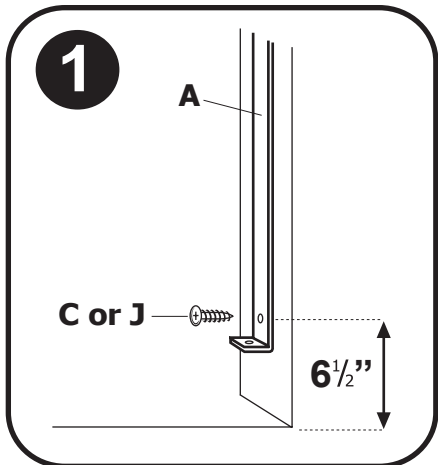
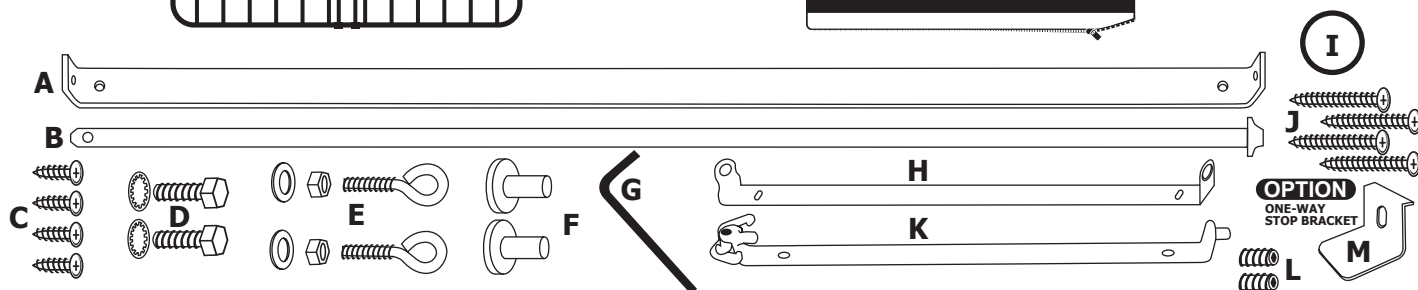
Included in the Box



Gate



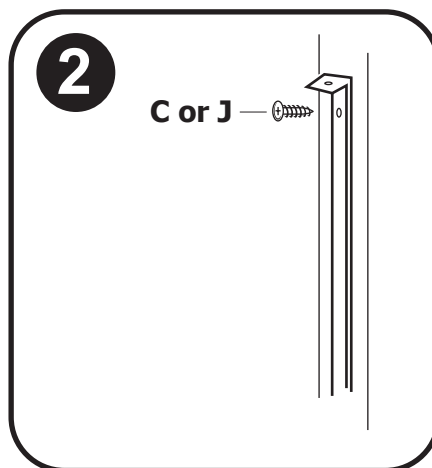
Fabric Cover



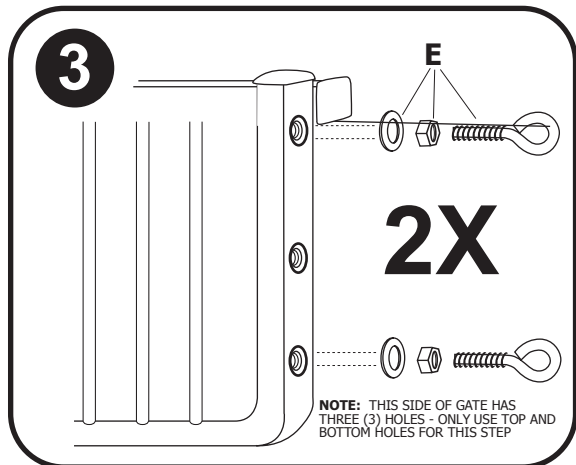
1. Install hinge bracket (A) to wall (stationary side of gate) using Phillips screw (C) drill pilot hole 6 1/2" above floor surface. (Use ruler on left edge of this sheet to measure from floor).

OPTION: Long screws (J) maybe be used to attach gate to stud dry wall.

2. Install second screw (C) in top of hinge bracket securing it to the wall.



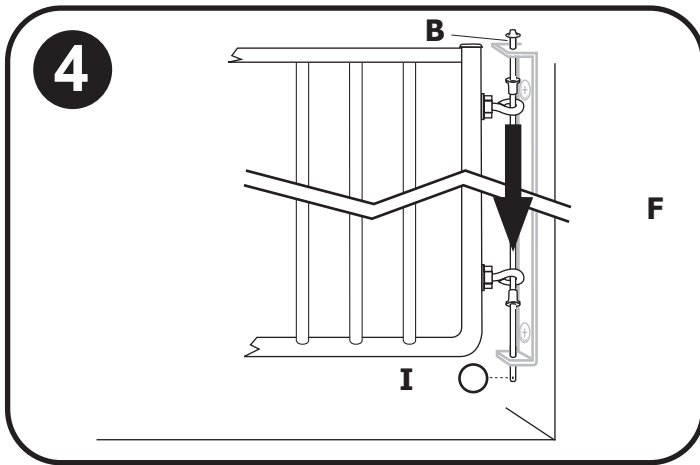
3. Insert eye bolts with nut and washer (E) into top and bottom of hinge side gate (side with three holes). Be sure nuts are tight. Do not use middle hole for this step.



**FOR MAXIMUM SAFETY,
ALWAYS KEEP GATE
LATCHED AND CLOSED.**

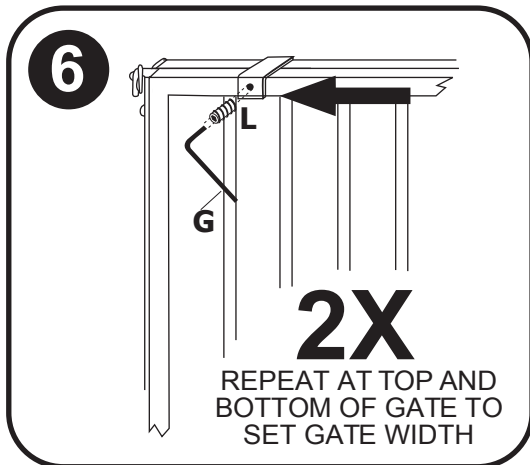
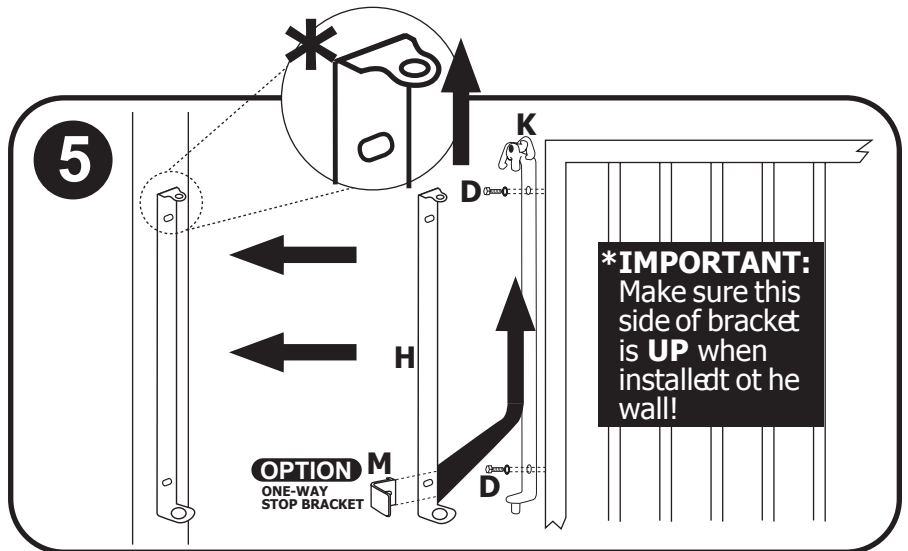
The Stair Barrier is committed to providing parents a high quality, attractive and American-made solution for keeping children and pets off staircases. Our team takes pride in delivering exceptional products and customer service. If you have any questions or concerns about your Stair Barrier, please contact us. We are happy to help!
support@betteroptionsco.com | 1 (888) 752-8262 | betteroptionsco.com

installation instructions



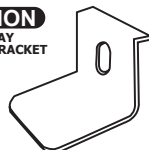
4. Hang gate inserting hinge rod (B), through top of mounted hinge bracket (A), through upper plastic shoulder washer (F), through both eye bolts, through lower plastic shoulder washer (F), and finally through bottom of hinge bracket. To secure hinge, insert key ring (I) through hole in end of hinge rod. Gate can be mounted at angles up to 30 degrees.

5. Mount latch assembly (K) to gate using 3/4" bolts with serrated washers (D). Attach wall mount for latch assembly (H) up into part (K) that is now secure on gate. Slide gate out to mark holes for (H) on attaching wall. (*OPTIONAL ONE WAY BRACKET INSTALLED HERE) Then attach the wall mount of latch assembly to wall using Phillips head screws (C). Optional long screws (J) maybe be used to attach gate to stud through dry wall.



6. Keep gate closed and latched. Use Allen wrench (G) to insert set screws (L) in the upper and lower brackets of the gate. Tighten the set screws to set the width of the gate.

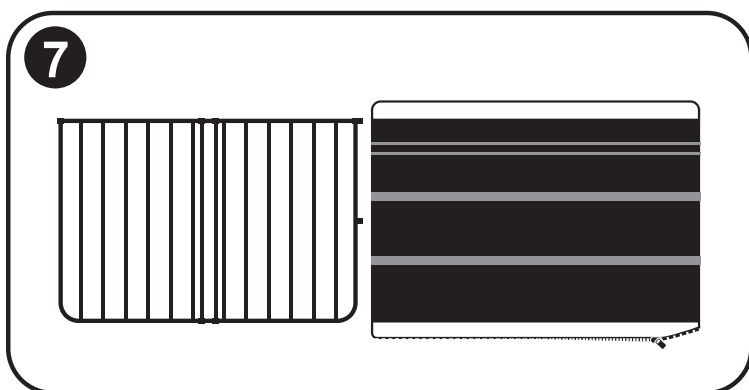
OPTION
ONE-WAY
STOP BRACKET



IF GATE IS INSTALLED AT TOP OF STAIRCASE:
Install one-way stop bracket (M) on one side of wall mount latch to have gate open in only one direction for maximum safety.

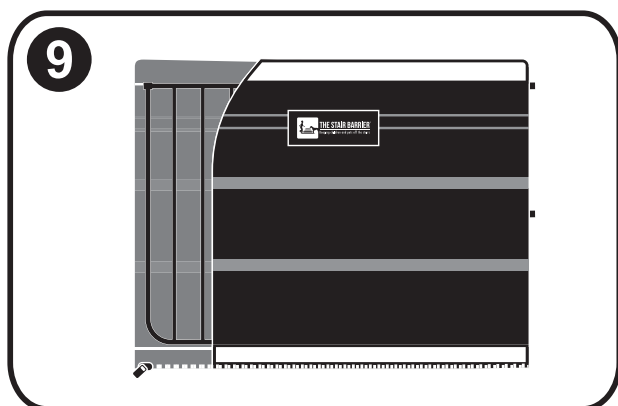
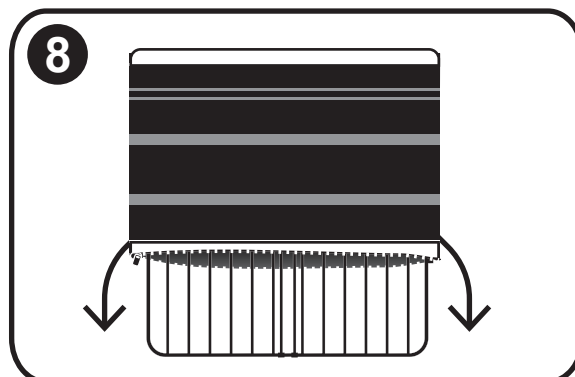
**FOR MAXIMUM SAFETY,
ALWAYS KEEP GATE
LATCHED AND CLOSED.**

installation instructions



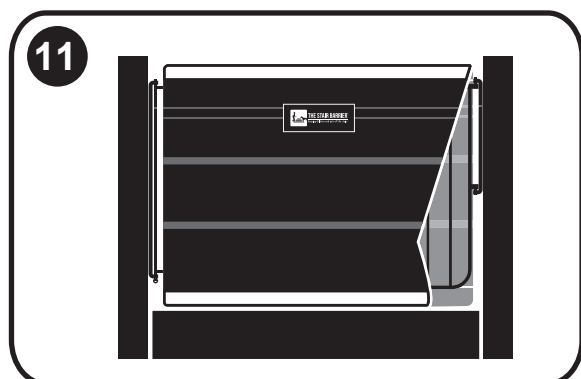
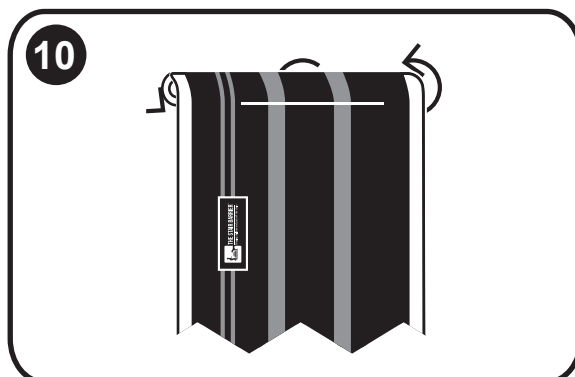
7. Once you have the wall mounts installed and the desired width, lay the gate on the ground in front of you that has the latch at the top and place the slipcover logo facing down with the flap/zipper on the bottom to the side of the gate.

8. Unzip the bottom and slowly slide slipcover over the hard mount a couple inches at the top and the bottom, proceed sliding the rest of the slipcover on ensuring it does not snag the latch or the middle section where the gate is wider.



9. Once the slipcover is completely on, zip the bottom. You should see approximately 3 inches of contrasting cap fabric at the top and bottom and that logo should be centered.

10. Depending on the width of your gate you may have extra fabric on either side. The fabric can cover the hard mount on the non-latching side of the wall, but otherwise fold/tuck (similar to tucking pants to be hemmed) the fabric in on either side, keeping the logo label centered.



11. Attach gate to wall mounts and make sure that the slipcover does not hangover and impede opening, closing and locking of gate.

**FOR MAXIMUM SAFETY,
ALWAYS KEEP GATE
LATCHED AND CLOSED.**

cleaning & care of Stair Barrier Fabrics. Stair Barriers are made of Class 1 Upholstery grade fabric. Cleaning code is "S". To clean, use a soft brush to loosen dirt and then vacuum TSB with an upholstery attachment. For tougher stains, use a mild, water-free solvent or dry cleaning product. **DO NOT MACHINE WASH**

The Stair Barrier is committed to providing parents a high quality, attractive and American-made solution for keeping children and pets off staircases. Our team takes pride in delivering exceptional products and customer service. If you have any questions or concerns about your Stair Barrier, please contact us. We are happy to help!
support@betteroptionsco.com | 1 (888) 752-8262 | betteroptionsco.com