



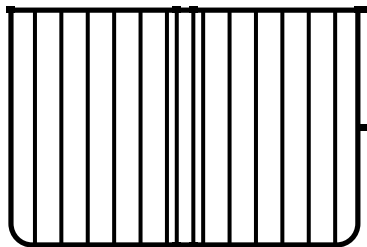
**THE STAIR BARRIER®**  
Keeping children and pets off the stairs

## Installation Instructions Wall to Wall

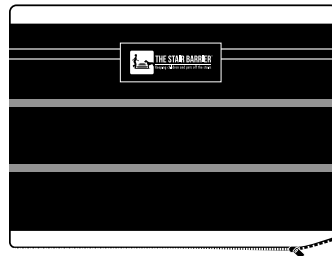
FOR OPENINGS 27" (68cm) - 42.5" (108cm)

Gate is recommended for children between 6 and 24 months. If installing at top of stairs, install a minimum of three inches from end of first step.

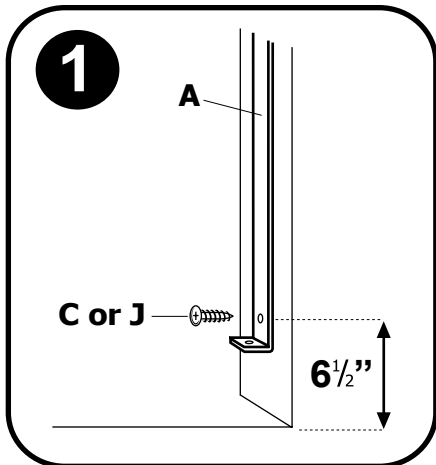
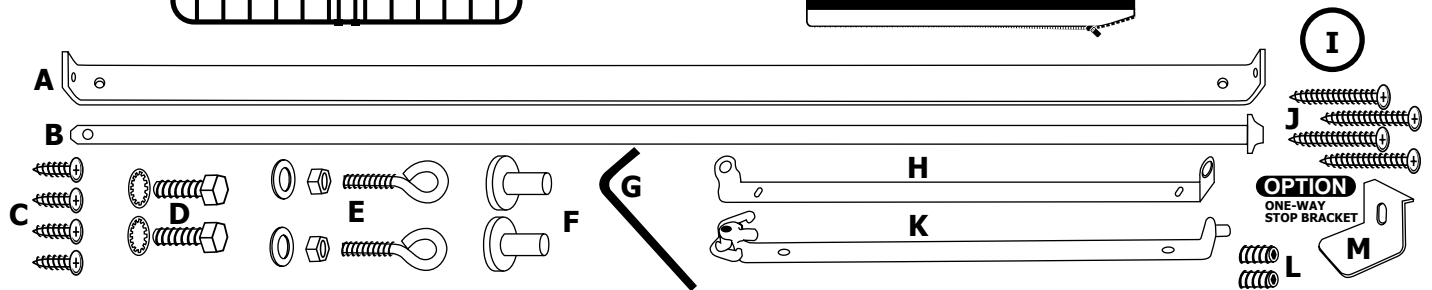
### Included in the Box



Gate



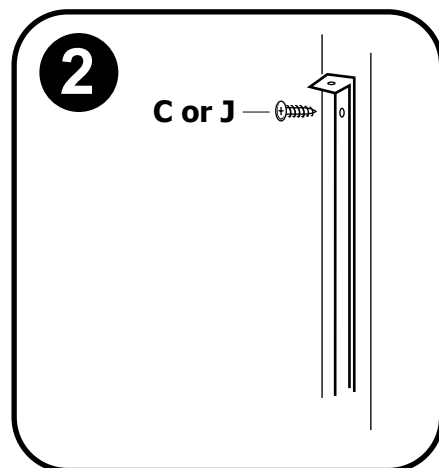
Fabric Cover



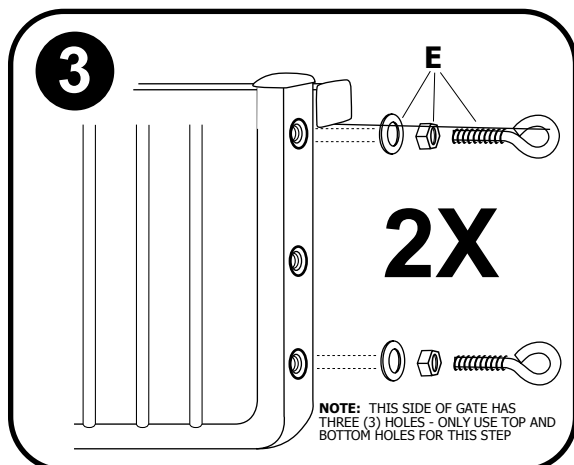
1. Install hinge bracket (A) to wall (stationary side of gate) using Phillips screw (C) drill pilot hole 6 1/2" above floor surface. (Use ruler on left edge of this sheet to measure from floor).

**OPTION:** Long screws (J) maybe be used to attach gate to stud dry wall.

2. Install second screw (C) in top of hinge bracket securing it to the wall.

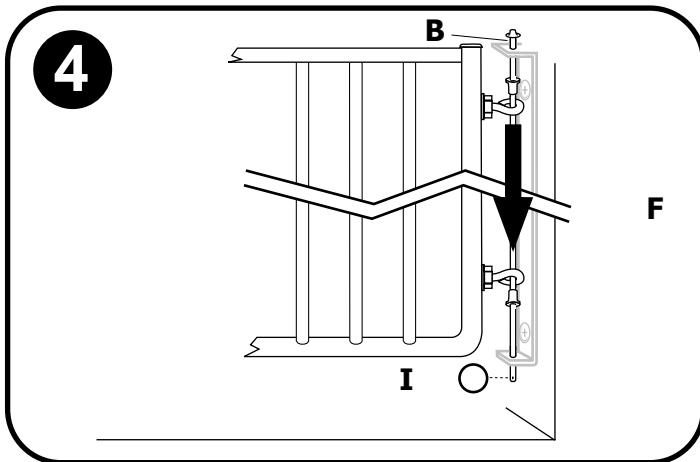


3. Insert eye bolts with nut and washer (E) into top and bottom of hinge side gate (side with three holes). Be sure nuts are tight. Do not use middle hole for this step.



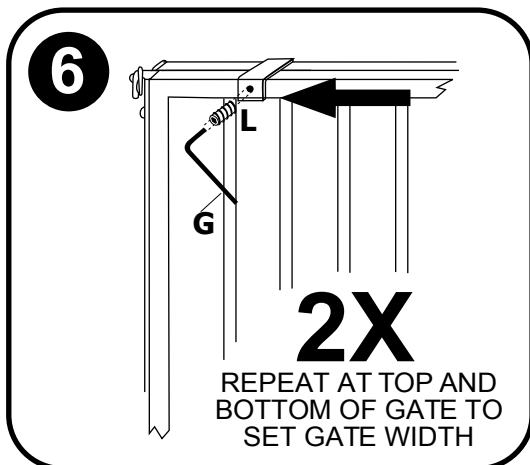
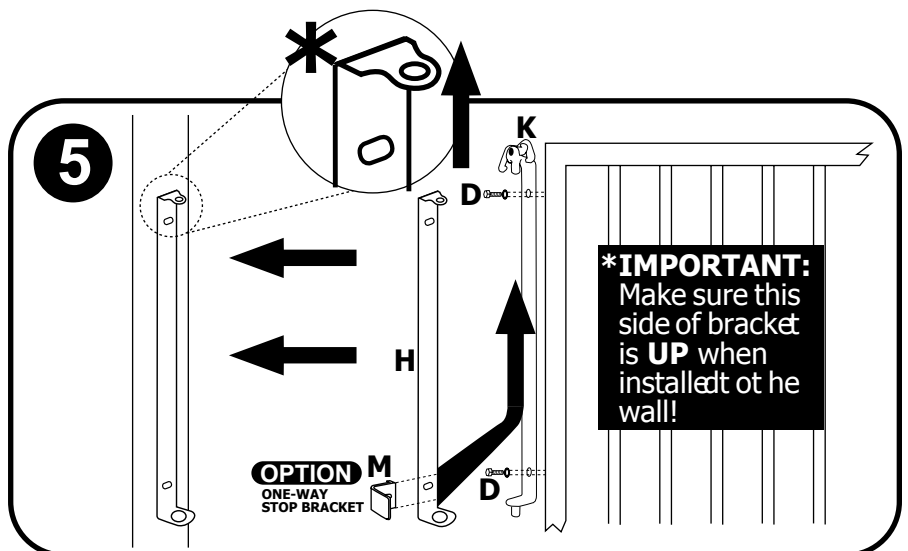
**FOR MAXIMUM SAFETY,  
ALWAYS KEEP GATE  
LATCHED AND CLOSED.**

# installation instructions

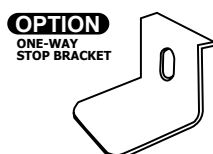


4. Hang gate inserting hinge rod (B), through top of mounted hinge bracket (A), through upper plastic shoulder washer (F), through both eye bolts, through lower plastic shoulder washer (F), and finally through bottom of hinge bracket. To secure hinge, insert key ring (I) through hole in end of hinge rod. Gate can be mounted at angles up to 30 degrees.

5. Mount latch assembly (K) to gate using 3/4" bolts with serrated washers (D). Attach wall mount for latch assembly (H) up into part (K) that is now secure on gate. Slide gate out to mark holes for (H) on attaching wall. (\*OPTIONAL ONE WAY BRACKET INSTALLED HERE) Then attach the wall mount of latch assembly to wall using Phillips head screws (C). Optional long screws (J) maybe be used to attach gate to stud through dry wall.



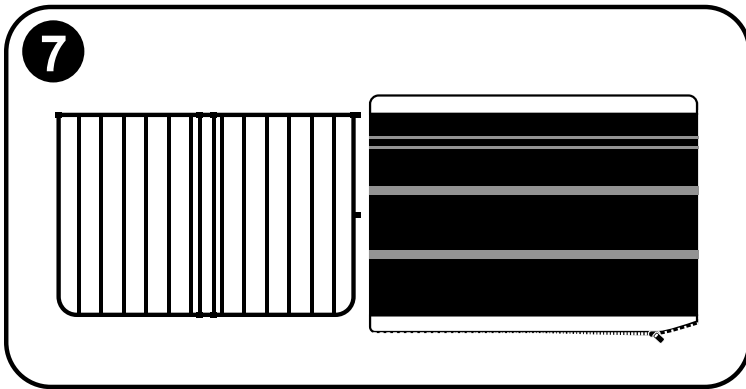
6. Keep gate closed and latched. Use Allen wrench (G) to insert set screws (L) in the upper and lower brackets of the gate. Tighten the set screws to set the width of the gate.



IF GATE IS INSTALLED AT TOP OF STAIRCASE: Install one-way stop bracket (M) on one side of wall mount latch to have gate open in only one direction for maximum safety.

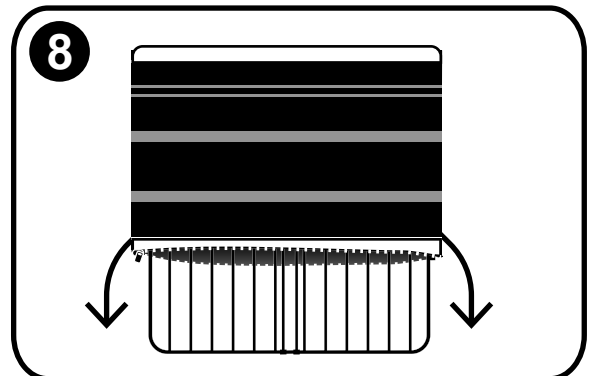
**FOR MAXIMUM SAFETY,  
ALWAYS KEEP GATE  
LATCHED AND CLOSED.**

# installation instructions

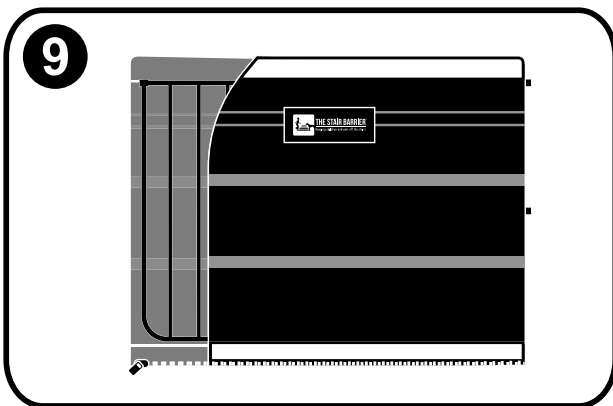


7. Once you have the wall mounts installed and the desired width, lay the gate on the ground in front of you that has the latch at the top and place the slipcover logo facing down with the flap/zipper on the bottom to the side of the gate.

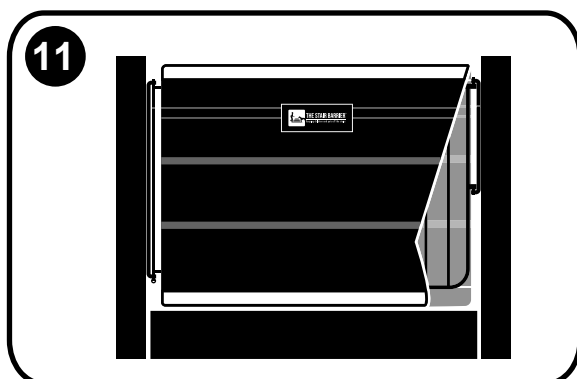
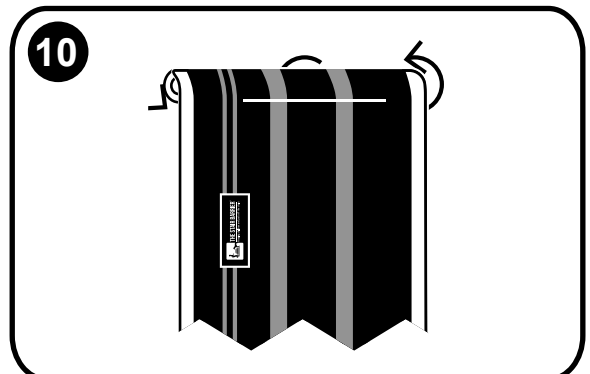
8. Unzip the bottom and slowly slide slipcover over the hard mount a couple inches at the top and the bottom, proceed sliding the rest of the slipcover on ensuring it does not snag the latch or the middle section where the gate is wider.



9. Once the slipcover is completely on, zip the bottom. You should see approximately 3 inches of contrasting cap fabric at the top and bottom and that logo should be centered.



10. Depending on the width of your gate you may have extra fabric on either side. The fabric can cover the hard mount on the non-latching side of the wall, but otherwise fold/tuck (similar to tucking pants to be hemmed) the fabric in on either side, keeping the logo label centered.



11. Attach gate to wall mounts and make sure that the slipcover does not hangover and impede opening, closing and locking of gate.

**FOR MAXIMUM SAFETY,  
ALWAYS KEEP GATE  
LATCHED AND CLOSED.**

**cleaning & care of Stair Barrier Fabrics.** Stair Barriers are made of Class 1 Upholstery grade fabric. Cleaning code is "S". To clean, use a soft brush to loosen dirt and then vacuum TSB with an upholstery attachment. For tougher stains, use a mild, water-free solvent or dry cleaning product. **DO NOT MACHINE WASH**

The Stair Barrier is committed to providing parents a high quality, attractive and American-made solution for keeping children and pets off staircases. Our team takes pride in delivering exceptional products and customer service. If you have any questions or concerns about your Stair Barrier, please contact us. We are happy to help!  
support@thestairbarrier.com | 1 (888) 752-8262 | thestairbarrier.com

# WARNING

**Children have died or been seriously injured when gates are not securely installed**

- For maximum safety, ALWAYS keep gate latched and closed/
- ALWAYS install and use gate as directed using all required parts
- STOP using when a child can climb over or dislodge gate
- Use ONLY with the buckles latched and all straps tight and securely engaged
- NEVER use to keep child away from pool
- NEVER leave a child unattended. Adult supervision is required
- For use with children 6 months to 2 years of age and/or pets

**Read all warnings and instructions before installation**

- ALWAYS keep your instructions for reference
- NEVER attempt to step over The Stair Barrier
- NEVER use The Stair Barrier without its internal struts
- Misuse of The Stair Barrier may cause serious injury or death
- Periodically check all fasteners/straps to be sure they are tight and secure
- Stop using gate if any parts are missing or become damaged
- Hardware is included for use in solid materials only, such as wood or metal or drywall using the enclosed wall anchors
- The Stair Barrier will not prevent all accidents

# CAUTION

Internal struts must be installed during use. Do not remove internal struts, except to clean.

Always latch buckles during use. Always adjust all straps to ensure tight fit.

When one side of The Stair Barrier is unbuckled to allow access to the staircase, completely roll The Stair Barrier to the other side of the staircase with straps and buckles rolled internally.

Discontinue the use of the product if it becomes damaged, broken, or disassembled.

DO NOT MACHINE WASH.

## limited warranty

The Better Options Company Inc.

The Better Options Company Inc. will activate this limited warranty upon receipt of your Warranty Registration Card. Alternatively, to register online, visit: [www.thestairbarrier.com](http://www.thestairbarrier.com).

After activation, The Better Options Company Inc warrants The Stair Barrier to be free from defects in material and workmanship for a period of 1 year from the date of original retail sale. This limited warranty is valid only for the first retail consumer. Proof of purchase is required.

If The Better Options Company Inc. determines that the Stair Barrier is defective in material or workmanship during the warranty period, The Better Options Company Inc. shall, at its sole option, repair or replace The Stair Barrier with a similar product or replacement part(s) (collectively, "replacement unit"). This is the sole remedy. Any replacement unit shall be covered by the balance of any time remaining under this limited warranty.

The limited warranty does not cover deterioration or malfunction resulting from normal wear and tear, improper maintenance, misuse, modification, neglect, abuse, and/or repairs, or attempted repairs, made by anyone not authorized by The Better Options Company Inc.

To obtain warranty service, you must contact The Stair Barrier to make a claim within thirty (30) days after you discover a problem. Please call The Stair Barrier at **1 (888) 752-8262** or send an email to **support@thestairbarrier.com**. To fully evaluate your claim, The Stair Barrier may ask that you send pictures and/or (at your expense) the product itself.

This limited warranty disclaims any special, incidental or consequential damages, including indirect damage, loss of use, cost, and expense.

**THIS LIMITED WARRANTY IS EXCLUSIVE AND IN LIEU OF, AND THE BETTER OPTIONS COMPANY INC EXPRESSLY DISCLAIMS, ANY OTHER WARRANTY, EXPRESS OR IMPLIED, INCLUDING ANY IMPLIED WARRANTY OF MERCHANTABILITY AND/OR FITNESS FOR A PARTICULAR PURPOSE**

This limited warranty gives your specific legal rights, and you may also have other rights which vary from state to state. Some states do not allow limitations on implied warranties and/or do not allow the exclusion of incidental or consequential damages, so the above limitation may not apply to you.

The Stair Barrier is committed to providing parents a high quality, attractive and American-made solution for keeping children and pets off staircases. Our team takes pride in delivering exceptional products and customer service. If you have any questions or concerns about your Stair Barrier, please contact us. We are happy to help!  
support@thestairbarrier.com | 1 (888) 752-8262 | thestairbarrier.com