



**THE STAIR BARRIER®**  
Keeping children and pets off the stairs

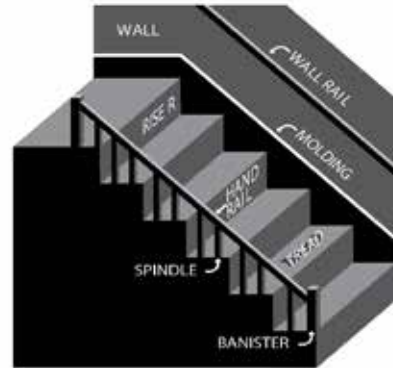
## Installation Instructions Banister to Banister

### before installation

To properly install, use and enjoy your Stair Barrier, you need to know the staircase terms shown in the diagram.

Before installation of your Stair Barrier, measure the distance between the banisters of your staircase and confirm that you have purchased the correct Stair Barrier configuration.

### term glossary



### banister to banister



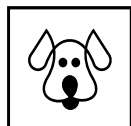
#### stair width compatibility

**Regular**  
Height: 32"  
Width: 43"

**Wide**  
Height: 32"  
Width: 43+” –  
52”



6-24  
months



small &  
large

**PLEASE NOTE:** The key to the best fit is to be able to pull TSB fabric as tightly across your staircase opening as possible. A small gap (maximum of 1”) on the sides between TSB and the attachment to the banister or spindle may offer the tightest fit.

### what's in the box

1 Stair Barrier

(No tools are required for installation.)

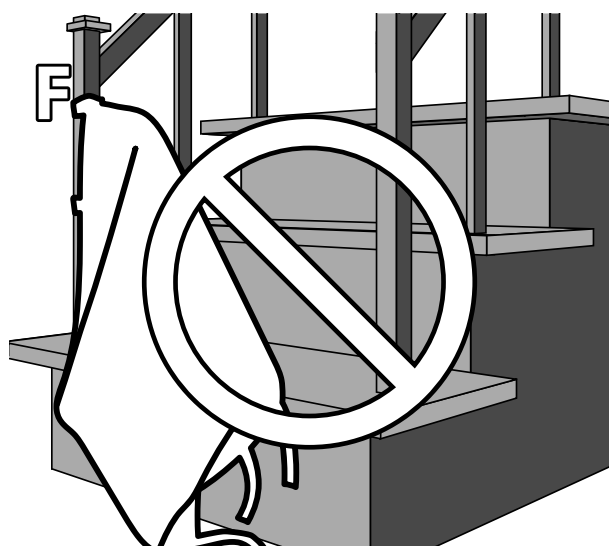
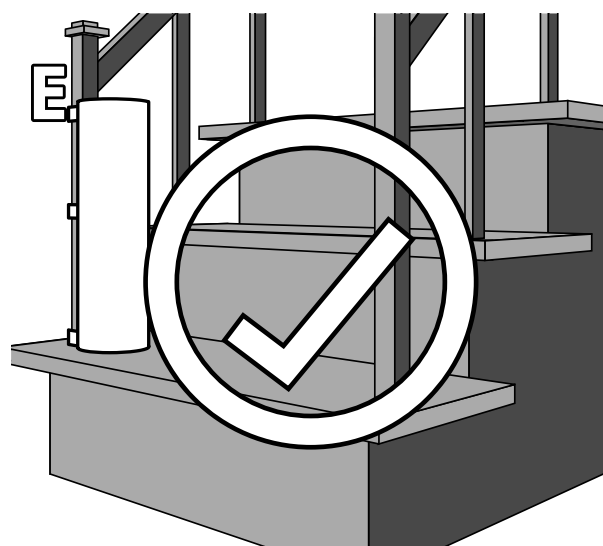
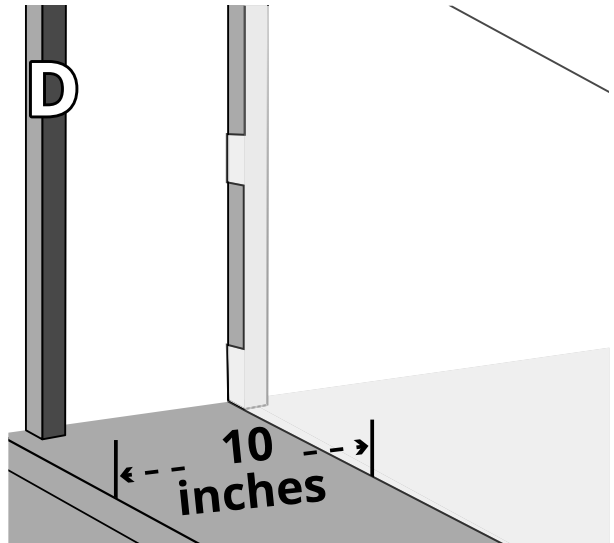
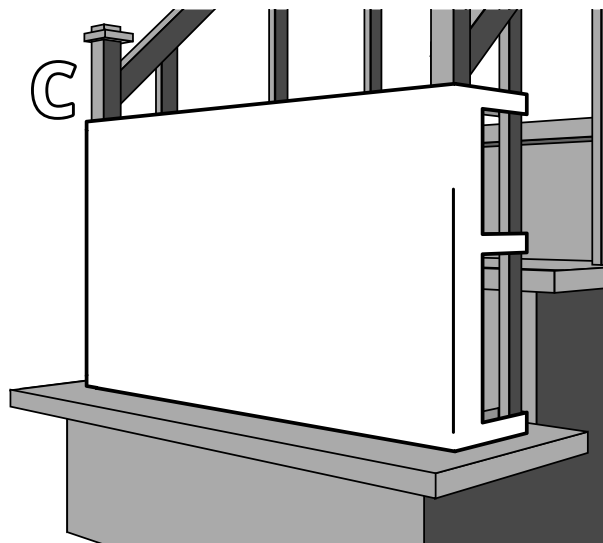
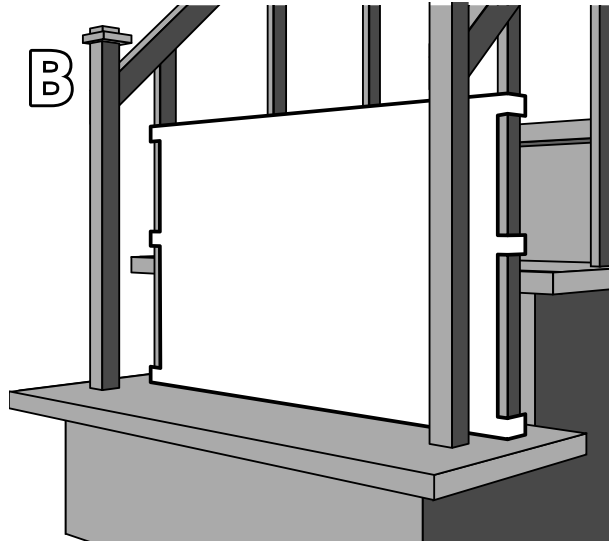
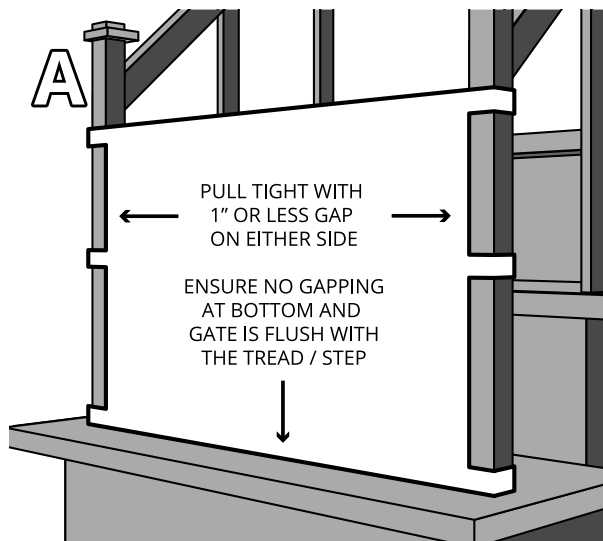
### installation instructions

1. While facing your staircase, position the front of your Stair Barrier (TSB) between the banisters.
2. Position TSB as far to the rear of the treads as possible. If there are multiple spindles on the tread where TSB is to be installed, use the spindle located closest to the rear of the tread. **See Fig. B**
3. When installing at the top of stairs: Install TSB a minimum of 10 inches back from first tread/step. With all soft barrier gates there will be some give to the fabric and to ensure there are no entrapments, there must be ample flooring between TSB and the first step. **See Fig. D**
4. Wrap the top strap of TSB around the banister and latch the buckle. You may use the banister, spindles or both to attach the straps. In some cases, you may choose to use multiple spindles. **See Figs. A, B and C.**
5. Repeat this process for the middle and bottom straps.
6. When properly installed, the bottom edge of TSB should be flush with the stair tread and there should be little (a maximum of 1”) or no gaps between the fabric and the attachment to the banister or spindle, on either side. **See Fig. A**
7. If one side of TSB is unlatched to allow access to the staircase, completely roll TSB to the side that is still attached to the banister. **See Fig. E.** When not in use, TSB should not block the staircase. **See Fig. F**

The Stair Barrier is committed to providing parents a high quality, attractive and American-made solution for keeping children and pets off staircases. Our team takes pride in delivering exceptional products and customer service. If you have any questions or concerns about your Stair Barrier, please contact us. We are happy to help!  
support@thestairbarrier.com | 1 (888) 752-8262 | thestairbarrier.com

# installation instructions

figures A to F



## cleaning & care

All indoor Stair Barriers are made of Class 1 Upholstery grade fabric. Cleaning code is "S". To clean, use a soft brush to loosen dirt and then vacuum TSB with an upholstery attachment. For tougher stains, use a mild, water-free solvent or dry cleaning product. **DO NOT MACHINE WASH.**

The Stair Barrier is committed to providing parents a high quality, attractive and American-made solution for keeping children and pets off staircases. Our team takes pride in delivering exceptional products and customer service. If you have any questions or concerns about your Stair Barrier, please contact us. We are happy to help!  
support@thestairbarrier.com | 1 (888) 752-8262 | thestairbarrier.com

# **WARNING**

## **Children have died or been seriously injured when gates are not securely installed**

- ALWAYS install and use gate as directed using all required parts
- STOP using when a child can climb over or dislodge gate
- Use ONLY with the buckles latched and all straps tight and securely engaged
- NEVER use to keep child away from pool
- NEVER leave a child unattended. Adult supervision is required
- For use with children 6 months to 2 years of age and/or pets

## **Read all warnings and instructions before installation**

- ALWAYS keep your instructions for reference
- NEVER attempt to step over The Stair Barrier
- NEVER use The Stair Barrier without its internal struts
- Misuse of The Stair Barrier may cause serious injury or death
- Periodically check all straps to be sure they are tight and secure
- Stop using gate if any parts are missing or become damaged
- The Stair Barrier will not prevent all accidents

# **CAUTION**

Internal struts must be installed during use. Do not remove internal struts, except to clean.

Always latch buckles during use. Always adjust all straps to ensure tight fit.

When one side of The Stair Barrier is unbuckled to allow access to the staircase, completely roll The Stair Barrier to the other side of the staircase with straps and buckles rolled internally.

Discontinue the use of the product if it becomes damaged, broken, or disassembled

DO NOT MACHINE WASH.

## **limited warranty**

The Better Options Company Inc.

The Better Options Company Inc. will activate this limited warranty upon receipt of your Warranty Registration Card. Alternatively, to register online, visit: [www.thestairbarrier.com](http://www.thestairbarrier.com).

After activation, The Better Options Company Inc warrants The Stair Barrier to be free from defects in material and workmanship for a period of 1 year from the date of original retail sale. This limited warranty is valid only for the first retail consumer. Proof of purchase is required.

If The Better Options Company Inc. determines that the Stair Barrier is defective in material or workmanship during the warranty period, The Better Options Company Inc. shall, at its sole option, repair or replace The Stair Barrier with a similar product or replacement part(s) (collectively, "replacement unit"). This is the sole remedy. Any replacement unit shall be covered by the balance of any time remaining under this limited warranty.

The limited warranty does not cover deterioration or malfunction resulting from normal wear and tear, improper maintenance, misuse, modification, neglect, abuse, and/or repairs, or attempted repairs, made by anyone not authorized by The Better Options Company Inc.

To obtain warranty service, you must contact The Stair Barrier to make a claim within thirty (30) days after you discover a problem. Please call The Stair Barrier at **1 (888) 752-8262** or send an email to **support@thestairbarrier.com**. To fully evaluate your claim, The Stair Barrier may ask that you send pictures and/or (at your expense) the product itself.

This limited warranty disclaims any special, incidental or consequential damages, including indirect damage, loss of use, cost, and expense.

**THIS LIMITED WARRANTY IS EXCLUSIVE AND IN LIEU OF, AND THE BETTER OPTIONS COMPANY INC EXPRESSLY DISCLAIMS, ANY OTHER WARRANTY, EXPRESS OR IMPLIED, INCLUDING ANY IMPLIED WARRANTY OF MERCHANTABILITY AND/OR FITNESS FOR A PARTICULAR PURPOSE**

This limited warranty gives your specific legal rights, and you may also have other rights which vary from state to state. Some states do not allow limitations on implied warranties and/or do not allow the exclusion of incidental or consequential damages, so the above limitation may not apply to you.

The Stair Barrier is committed to providing parents a high quality, attractive and American-made solution for keeping children and pets off staircases. Our team takes pride in delivering exceptional products and customer service. If you have any questions or concerns about your Stair Barrier, please contact us. We are happy to help!  
[support@thestairbarrier.com](mailto:support@thestairbarrier.com) | 1 (888) 752-8262 | [thestairbarrier.com](http://thestairbarrier.com)