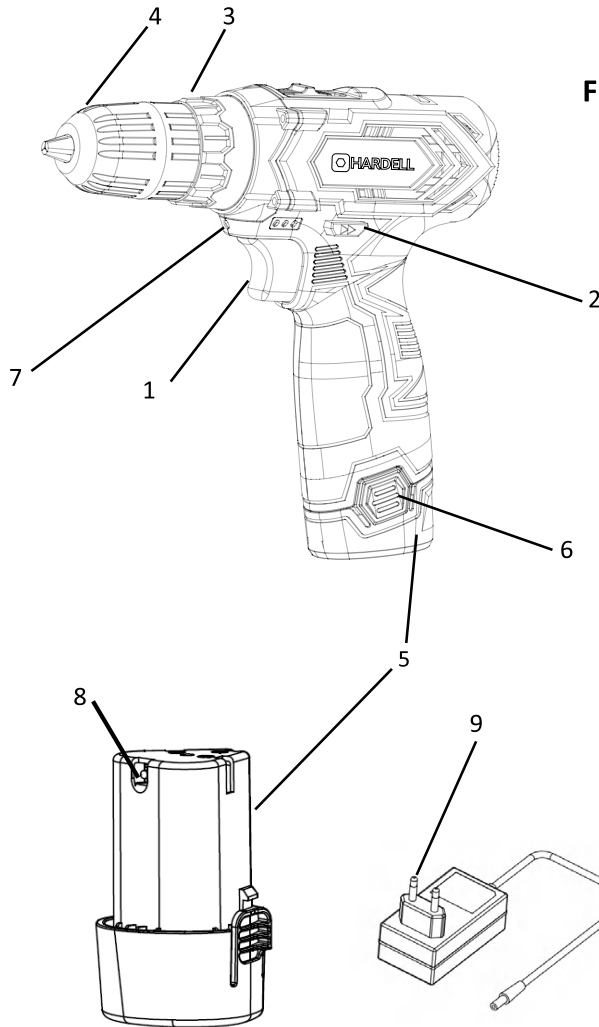




# Cordless Drill Operator's Manual



Thank you for purchasing this product. To ensure proper use and trouble-free operation, please read this guide carefully before operating. If there is any issue, please contact us via Amazon or e mail: [hardell.service@gmail.com](mailto:hardell.service@gmail.com), we will help you within 12 hours.



**Fig. 1**

### Product Descriptions

- |                             |                           |
|-----------------------------|---------------------------|
| 1. On/Off Switch            | 6. Battery Release Button |
| 2. Forward/Reverse Switch   | 7. LED Light              |
| 3. Torque Adjustment Collar | 8. Loading Socket         |
| 4. Keyless Chuck (10mm)     | 9. Plug Adaptor           |
| 5. Battery                  |                           |

# 1. APPLICATION

The power tool is intended for driving and drilling through wood and plastics It is not designed for professional use.



**WARNING!** Read this manual and general safety instructions carefully before using the appliance, for your own safety. Your power tool should only be passed on together with these instructions.

# 2. PACKAGE CONTENT LIST

- Remove all packaging materials.
- Remove remaining packing and package inserts (if included).
- Check that the package contents are complete.
- Check the appliance, the power cord, the power plug and all accessories for transportation damage.
- Keep the packing materials as far as possible till the end of the warranty period. Dispose it into your local waste disposal system afterwards.



**WARNING: Packaging materials are not toys! Children must not play with plastic bags! Danger of suffocation!**

- |                    |                                     |
|--------------------|-------------------------------------|
| 1 x Cordless drill | 2 x Woodworking drill bit(5mm/8mm)  |
| 1 x Charger        | 3 x Impact drill(5mm/6mm/8mm)       |
| 1 x Flexible Shaft | 3 x Black Twist Drill(4mm/5mm/6mm)  |
| 1 x Manual         | 3 x Silver Twist Drill(4mm/5mm/6mm) |



If any parts are missing or damaged, please contact your dealer.

# 3. SYMBOLS

In this manual and/or on the machine the following symbols are used:

	Denotes risk of personal injury or damage to the tool.		In accordance with essential requirements of the European directive(s)
	Wear eye protection		Wear gloves
	Read manual before use		In accordance with the essential requirements of the FCC

## 4. GENERAL POWER TOOL SAFETY WARNINGS

Read all safety warnings and instructions. Failure to heed warnings and follow instructions may result in electric shock, fire and/or serious injury. Keep safety warnings and instructions for future reference. The term "power tool" in the safety warnings refers to your mains- operated (corded) power tool or battery- operated (cordless) power tool.

### 4.1. Working area

- Keep working area clean and well lit. Untidy and dark areas can lead to accidents.
- Do not operate power tools in potentially explosive surroundings, for example, in the presence of inflammable liquids, gases or dust. Power tools create sparks which may ignite the dust or fumes.
- Keep children and bystanders at a distance when operating a power tool. Distractions can cause you to lose control of it.

### 4.2. Electrical safety

- Always check that the power supply corresponds to the voltage on the rating plate.
- Power tool plugs must match the outlet. Never modify the plug in any way. Do not use adapter plugs with earthed power tools. Unmodified plugs and matching outlets will reduce the risk of an electric shock.
- Avoid body contact with earthed surfaces such as pipes, radiators, kitchen ranges and refrigerators. There is an increased risk of an electric shock if your body is earthed.
- Do not expose power tools to rain or wet conditions. If water gets inside a power tool, it will increase the risk of an electric shock.
- Do not damage the cord. Never use the cord for carrying, pulling or unplugging the power tool. Keep the cord away from heat, oil, sharp edges or moving parts. Damaged or entangled cords increase the risk of an electric shock.
- When operating a power tool outdoors, use an extension cable suitable for outdoor use. Using a cord suitable for outdoor use reduces the risk of an electric shock.
- If operating a power tool in a damp location is unavoidable, use a power supply protected by a residual current device (RCD). Using an RCD reduces the risk of an electric shock.

### 4.3. Personal safety

- Stay alert, watch what you are doing and use common sense when operating a power tool. Do not use a power tool when you are tired or under the influence of drugs, alcohol or medication. A moment of inattention when operating a power tool may result in serious personal injury.
- Use safety equipment. Always wear eye protection. Using safety equipment such as a dust mask, non-skid safety shoes, a hard hat, or hearing protection whenever it is needed will reduce the risk of personal injury.
- Avoid accidental starts. Ensure the switch is in the off position before inserting the plug. Carrying power tools with your finger on the switch or plugging in power tools when the switch is in the on position makes accidents more likely.
- Remove any adjusting keys or spanners before turning on the power tool. A spanner or key left attached to a rotating part of the power tool may result in personal injury.

- Do not reach out too far. Keep your feet firmly on the ground at all times. This will enable you retain control over the power tool in unexpected situations.
- Dress properly. Do not wear loose clothing or jewellery. Keep your hair, clothing and gloves away from the power tool. Loose clothes, jewellery or long hair can become entangled in the moving parts.
- If there are devices for connecting dust extraction and collection facilities, please ensure that they are attached and used correctly. Using such devices can reduce dust-related hazards.

#### **4.4. Power tool use and care**

- Do not expect the power tool to do more than it can. Use the correct power tool for what you want to do. A power tool will achieve better results and be safer if used in the context for which it was designed.
- Do not use the power tool if the switch cannot turn it on and off. A power tool with a broken switch is dangerous and must be repaired.
- Disconnect the plug from the power source before making adjustments, changing accessories, or storing power tools. Such preventive safety measures reduce the risk of starting the power tool accidentally.
- Store power tools, when not in use, out of the reach of children and do not allow people who are not familiar with the power tool or these instructions to operate it. Power tools are potentially dangerous in the hands of untrained users.
- Maintain power tools. Check for misalignment or jammed moving parts, breakages or any other feature that might affect the operation of the power tool. If it is damaged, the power tool must be repaired. Many accidents are caused by using poorly maintained power tools.
- Keep cutting tools sharp and clean. Properly maintained cutting tools with sharp cutting edges are less likely to jam and are easier to control.
- Use the power tool, accessories and cutting tools, etc., in accordance with these instructions and in the manner intended for the particular type of power tool, taking into account the working conditions and the work which needs to be done. Using a power tool in ways for which it was not intended can lead to potentially hazardous situations.

#### **4.5. Service**

- Your power tool should be serviced by a qualified specialist using only standard spare parts. This will ensure that it meets the required safety standards.

### **5. MACHINE-SPECIFIC SAFETY WARNINGS**

- Hold power tool by insulated gripping surfaces, when performing an operation where the fastener may contact hidden wiring. Fasteners contacting a "live" wire may make exposed metal parts of the power tool "live" and could give the operator an electric shock.
- Protect the battery charger from rain and moisture. The penetration of water in a battery charger increases the risk of electric shock.
- Recharge only with the charger specified by the manufacturer. A charger that is suitable for one type of battery, it may create a risk of fire when used with another battery.
- Do not charge other batteries. The battery charger is suitable only for charging our lithium ion batteries within the listed voltage range. Otherwise there is danger of fire and explosion.

- Keep the battery charger clean. Contamination may cause the danger of electric shock.
- Check the battery charger, cable and plug each time before using. Do not use the battery charger when defects are detected. Do not open the battery charger yourself and have it repaired only by qualified personnel using original spare parts. Damaged battery chargers, cables and plugs increase the risk of electric shock.
- Do not operate the battery charger on easily inflammable surfaces (e. g. paper, textiles, etc.) or in combustible environments. There is danger of fire due to the heating of the battery charger during charging.
- Under abusive conditions, liquid may be ejected from the battery; avoid contact. If contact accidentally occurs, flush with water. If liquid contacts eyes, additionally seek medical help. Liquid ejected from the battery may cause irritation or burns.
- Do not open the battery yourself. There is danger of a short circuit.
- Protect the battery against heat, e.g., including against continuous sun irradiation and fire. There is a danger of explosion.
- Do not short-circuit the battery. There is a danger of explosion.
- In case of damage and improper use of the battery, vapors may be emitted. In case of complaints, provide for fresh air and consult a physician. The vapors can irritate the respiratory system.

## 6. SCREWDRIVER SAFETY WARNING

Hold power tool by insulated gripping surfaces, when performing an operation where the fastener may contact hidden wiring. Fasteners contacting a "live" wire may make exposed metal parts of the power tool "live" and could give the operator an electric shock.

### 6.1 Special safety instructions for battery packet and charger

If under extreme conditions any electrolyte should escape from the battery, it's essential to avoid contact with skin. If electrolyte does come into contact with your skin, rinse it off with water. In the event of electrolyte contact with your eyes, it's essential to consult a doctor.

- This appliance is not intended for use by persons with reduced physical, sensory or mental capabilities, or lack of experience and knowledge, unless they have been given supervision or instruction concerning use of the appliance by a person responsible for their safety.
- Children should be supervised to ensure that they do not play with the appliance.
- Before the use of the charger and the battery packet, read the instruction manual for it carefully.
- During the charge process, the current used should correspond to the current of the battery charger.
- Never let moisture, rain or splashed water reaches the charging location.
- The ambient temperature must not exceed 40 °C. Never expose the device to direct insulation.
- Storage-battery packet, which are defective or damaged or can no longer be recharged, must be disposed of as hazardous waste. Hand them over at a special collection point. Never harm our environment. Do not throw unusable storage-battery packet away into the domestic waste, into fire or into water.
- If the electrical cable is damaged, the wire may only be replaced by the supplier or by his repair workshop. Have repairs carried out only by an authorized specialist only.

- Use only storage-battery packet, which have been produced by the original manufacturer.
  - Always keep the surface of the charger free from dust and dirt.
- Insert the battery packet into the charger. Follow the guidelines provided concerning polarity.
- Always remove battery packet before working on the machine
  - When the battery packet is outside the drill, cover the contacts to avoid short circuits (e.g. from tools)
  - Do not throw batteries into water or fire, risk of explosion!
  - Protect the battery packet from impacts, and don't open it.
  - Never discharge the battery packet completely and recharge occasionally if not used for a prolonged period

## 6.2 Residual risks

Even when the tool is used as prescribed it is not possible to eliminate all residual risk factors.

The following hazards may arise in connection with the tool's construction and design:

- Damage to lungs if an effective dust mask is not worn.
- Damage to hearing if effective hearing protection is not worn.
- Health defects resulting from vibration emission if the power tool is being used over longer period of time or not adequately managed and properly maintained.



**WARNING!** This machine produces an electromagnetic field during operation. This field may under some circumstances interfere with active or passive medical implants. To reduce the risk of serious or fatal injury, we recommend persons with medical implants to consult their physician and the medical implant manufacturer before operating this machine.

## 7. OPERATION

### 7.1 Charging the battery (Fig. 1)

The battery (5) must be charged before first use. Only after several charge and discharge cycles the battery will attain full capacity.

Only use the provided adaptor (9) to charge the battery set.

Only charge the battery set when the ambient temperature is within 10° - 40 °C.

Plug the adaptor (9) to a 230 V alternating voltage source.

The battery (5) should under no circumstances be disassembled.

To remove the battery, press the battery release button (6) on the top side of the battery set and extract the battery (5).

Connect the plug of the charger to the loading-socket (8) of the battery-set.

Red LED will light once the battery has been connected to the charger and the charging procedure will proceed.

The battery set is completely loaded and ready for use once the green LED is lit and the red LED is OFF – after approximately 1.5 hours.



**Defective or used battery sets must be disposed of in specialised refuse, and must not be placed in domestic refuse.**

## 7.2 Positioning and removing a drill or screw bit (Fig. 2)

This tool is equipped with a keyless chuck.

- Open the chuck by turning the collar.
- Insert the drill or screw bit in the chuck.
- Close the chuck by firmly tightening the front collar (a) while holding the rear part (b) of the chuck with the other hand.
- In order to remove the drill or screw bit proceed in reverse order. Before positioning or removing a drill or screw bit always remove the battery from the machine.



**Fig. 2**

## 7.3 Forward/reverse switch

- Push the forward/reverse switch (2) from right to left side to drill holes and fasten screws.
- Push the forward/reverse switch (2) from left to right side to loosen screws. Always wait until the motor has come to a complete standstill before changing the direction of rotation.

## 7.4 Adjusting the torque

This machine has been fitted with an adjustable coupling (18+1 pos.) to limit the torque when tightening screws.

- Turn the adjustment collar (3) clockwise to reduce the torque and counterclockwise to increase the torque. The correct setting depends on the type and size of the screw and the work piece.
- In case of doubt, start with the lowest setting and increase the torque until you have reached the desired result.

Clutch Setting	N.m	Applications
1-4	10-13	Screws
4-7	13-15	Wood
7-10	16-20	Plastic
10-18	20-30	Metal



**Note:** The clutch settings shown in the table are for reference only. Please use a piece of scrap material to test different clutch settings before driving screws into the workpiece.

## 7.5 Switching on and off

- To switch on the machine, press the on/off switch (1).
- To switch off the machine, release the on/off switch(1).

## 7.6 Variable speed

- Applying more pressure to the On/Off switch will increase the speed.
- Applying less pressure to the On/Off switch will decrease the speed.

## 8. CLEANING AND MAINTENANCE



**Attention!** Before performing any work on the equipment, pull the power plug.

### 8.1 Cleaning

Keep the ventilation slots of the machine clean to prevent overheating of the engine.

Regularly clean the machine housing with a soft cloth, preferably after each use.

Keep the ventilation slots free from dust and dirt.

If the dirt does not come off use a soft cloth moistened with soapy water.



Never use solvents such as petrol, alcohol, ammonia water, etc. These solvents may damage the plastic parts.

## 9. TECHNICAL DATA

Model nr.	JRCD2108
Rated voltage	12V
Speed	400rpm/1400rpm
Torque positions	18+1
Max. drill capacity steel	10 mm
Max. drill capacity wood	20 mm
Charger time	3-5 hours
Battery capacity	1500 mAh
Battery type	Li-ion
Max. torque	30 Nm
Chuck type	Keyless chuck

## 10. NOISE

Noise emission values measured according to relevant standard. (K=3)

Acoustic pressure level LpA 88.9 dB(A)

Acoustic power level LwA 99.9 dB(A)



**ATTENTION!** Wear hearing protection when sound pressure is over 85 dB(A).

aw (Vibration) 4.557m/s<sup>2</sup> K =1,5 m/s<sup>2</sup>

## 11. WARRANTY

The product supports a 1-year warranty from the date of purchase.

This warranty does not apply to products that have been lost, altered, broken or damaged by misuse or failure to follow the instruction provided with the product. Never try to repair the product by yourself. For any inquiries concerning our products, please contact our after-sales team via [hardell.service@gmail.com](mailto:hardell.service@gmail.com), we are free to help you solve your problem anytime.

## 12. ENVIRONMENT



Should your appliance need replacement after extended use, do not dispose of it with the household refuse, but in an environmentally safe way. Waste produced by electrical machine items should not be handled like normal household rubbish. Please recycle where recycle facilities exist. Check with your Local Authority or retailer for recycling advice.

## 13. BATTERY PACK

This product contains Li-ion. To preserve natural resources, please recycle or dispose of batteries properly. Local, state or federal laws may prohibit disposal of Li-ion batteries in ordinary trash. Consult your local waste authority for information regarding available recycling and/or disposal options.