

FRONT HUB FITTING AND COMPATIBILITY

Important information

- On P Type bikes a special tab washer must be used on the right hand side of the axle
- The standard front wheel is not compatible with the 2017+ titanium fork
- If you are unsure of the correct fitting process please consult your Brompton dealer, Brompton cannot accept responsibility for any failures due to incorrect fitting or maintenance

Should you require more information, please see www.brompton.com

FORK AND WHEEL COMPATIBILITY

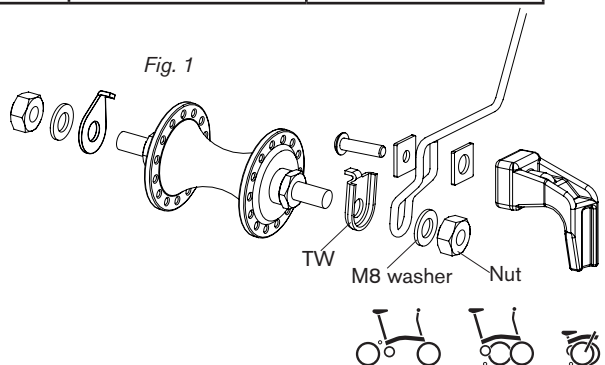
For 2017+ Superlight bikes a new titanium fork was introduced, featuring thicker dropouts. This wheel is not compatible with the standard front hub (threaded axle & 15mm axle nuts) and when used with the dynamo and superlight wheels a longer 105mm axle bolt (black finish) should be used, in place of the standard 102mm (chrome finish) axle bolt.

The 2017+ titanium fork should never be used in conjunction with the standard front wheel, or a 102mm (chrome finish) axle bolt and dynamo/superlight wheel. The fork can be identified by measuring the thickness of the dropout; the 2017+ fork has a 4.5mm dropout width, whereas the pre-2017 version has a 3mm dropout.

	STEEL FORK	TITANIUM FORK PRE-2017	TITANIUM FORK 2017+
STANDARD WHEEL	STANDARD 15mm NUTS PART 9010028	STANDARD 15mm NUTS PART 9010028	NOT COMPATIBLE
DYNAMO WHEEL	102mm BOLT CHROME FINISH PART 9010011	102mm BOLT CHROME FINISH PART 9010011	105mm BOLT BLACK FINISH PART 9010011
SUPERLIGHT WHEEL	102mm BOLT CHROME FINISH PART 9010011	102mm BOLT CHROME FINISH PART 9010011	105mm BOLT BLACK FINISH PART 9010011

STANDARD FRONT HUB

The standard front wheel can be fitted in either orientation; the axle is symmetric. A tab washer and M8 washer should be fitted on each side between the fork leg and axle nut (fig. 1) making sure that the special tab washer (TW) is fitted on the left hand side to engage with the mud-guard stay. The axle nuts should be tightened to 15Nm, while making sure the wheel is central between the fork legs.



SUPERLIGHT & DYNAMO HUBS

The superlight and dynamo front hubs use a hollow axle and are secured using a hex bolt. This passes all the way through the hub from the right hand side, with a bush fitted between the head and tab washer. The bolt is fixed in place with a knurled nut (fig. 2) on the right hand side. For steel forks and Pre-2017 titanium forks, use the 102mm bolt (chrome finish) and for 2017+ titanium forks use the longer 105mm bolt (black finish).

For both the superlight and dynamo hubs, the axle bolt and tab-washers should be fitted as shown, (fig. 2) discarding any plain M8 washers, if replacing a standard front hub. Tighten the bolt to 8Nm keeping the wheel central between the forks.

The dynamo hubs (fig. 3) should be mounted with the wiring terminal on the right hand side, pointing forward at 90 degrees to the fork leg.

