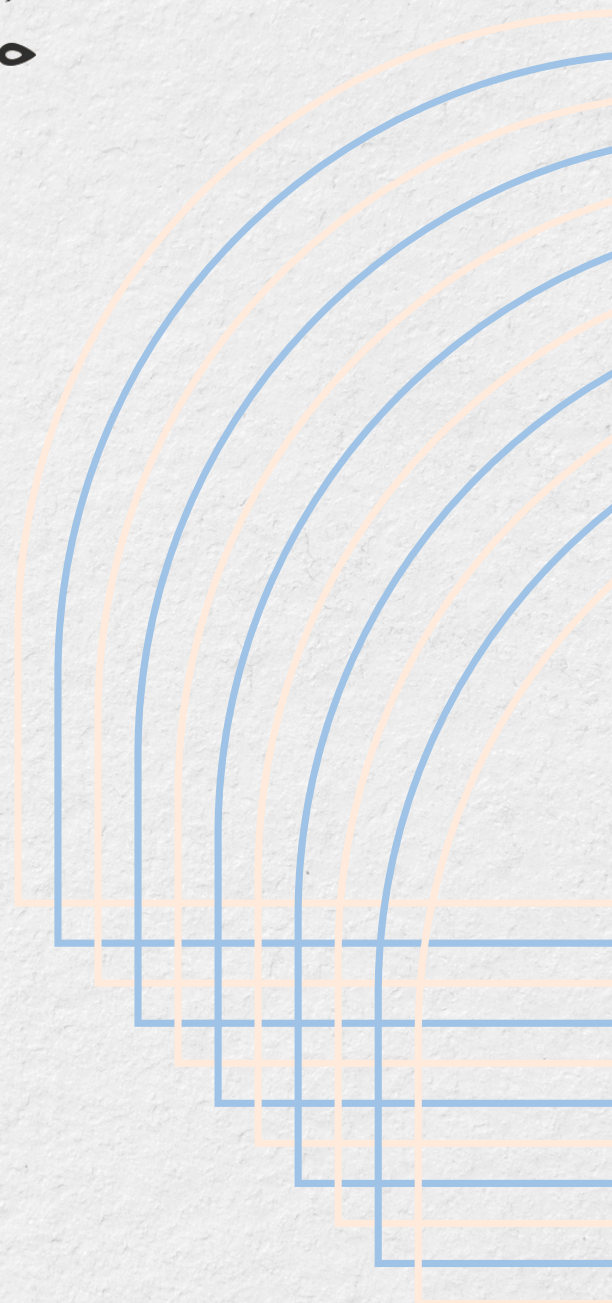


HOME CREATOR



Plantation Shutters Specification

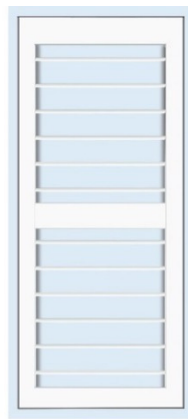
www.homecreator.com.au



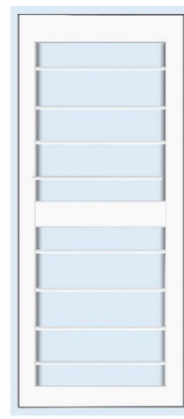
Specification



Louvre



64mm Louvre



89mm Louvre

The rotatable louvres are ellipse – shaped and available with 64mm and 89mm.

The choice of louvre size depends on the depth of window reveal and the extent to which you wish to filter out sunlight.

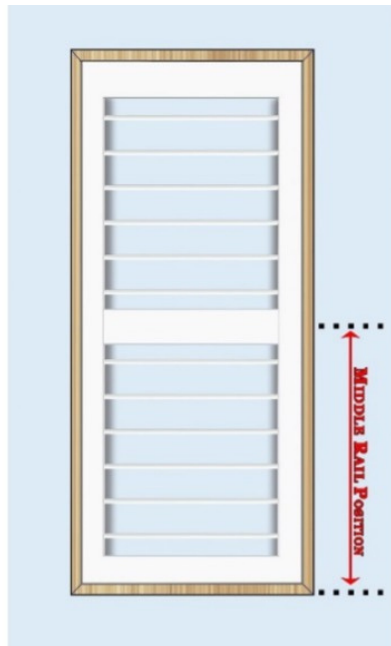
The narrower the louvre, the less light you allow in.

Top Rail & Bottom Rail

Standard: 100mm height, 20mm thickness.

Height can be adjusted depending on panel drop.

Middle Rail



Standard: 90mm height, 20mm thickness.

Height can be adjusted depending on panel drop.

Middle rail must be used while panel drop is over 1500 mm.

Middle rail divides whole louvres into two sections, upper section and lower section.

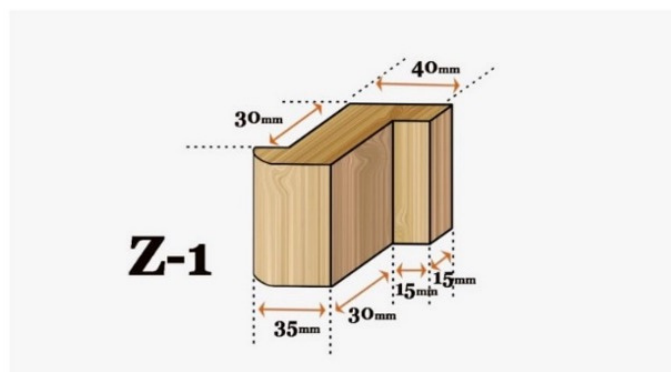
You can open and close louvres separately on each section to control sunlight.

Frames

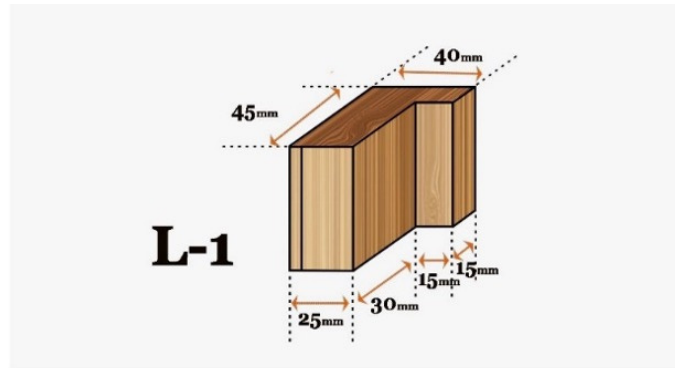
Plantation shutters come with frames.

Basswood shutters

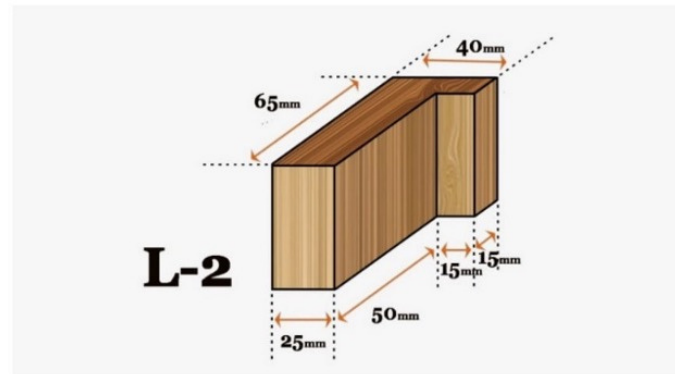
Z Frame: used for recess fitting only.



L-1 Frame: used for face fitting.

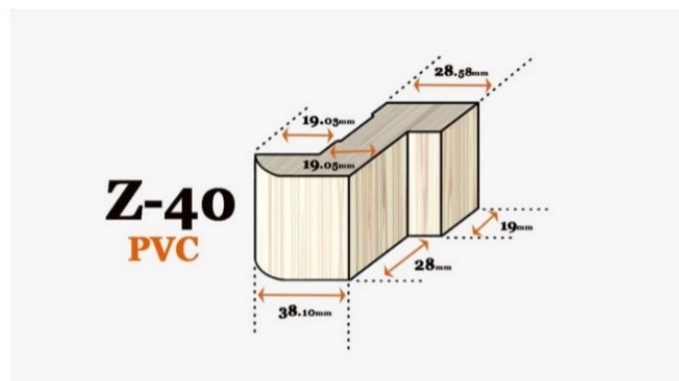


L-2 Frame: used for face fitting.

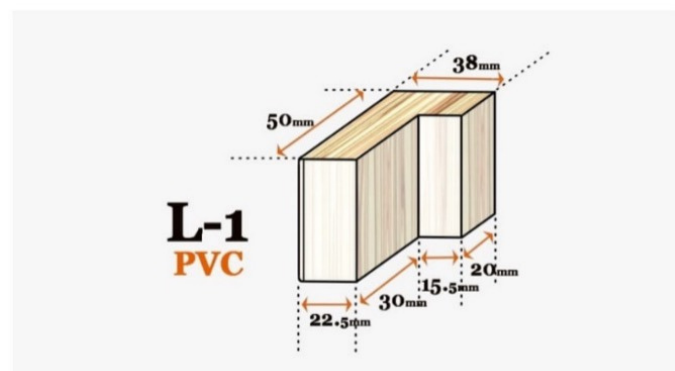


PVC shutters

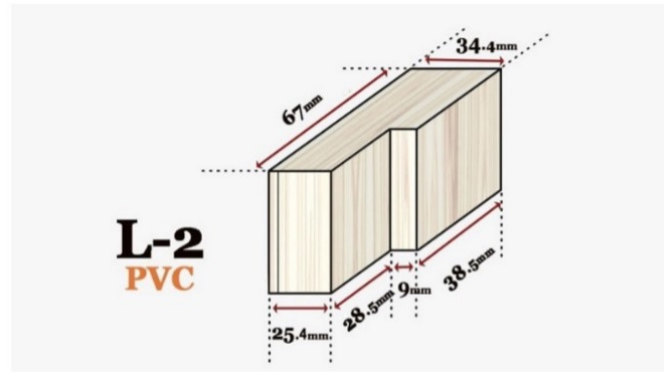
Z-40 PVC Frame: used for recess fitting only.



L-1 PVC Frame: used face fitting.



L-2 PVC Frame: used for face fitting.



One Panel



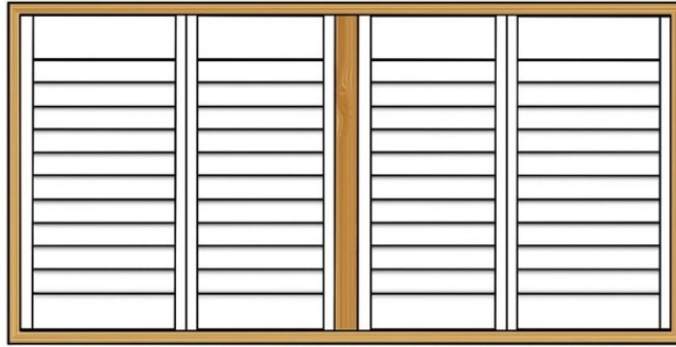
Panel Construction

Stile and rail joints are solidly doweled and glued.

Painted basswood plantation shutters may utilize finger joint stiles, which provide additional stability and resistance to warping.

T Post

1 or more T Posts need to be used to divide wider windows. The T Post position is normally in agreement with the existing window dividers.



T Post

Configuration

Based on your window style and our plantation shutter's panel style, you can design your plantation shutters on the below style:

- Fixed Style
- Hinged Style
- Bifold Style
- Sliding Style