

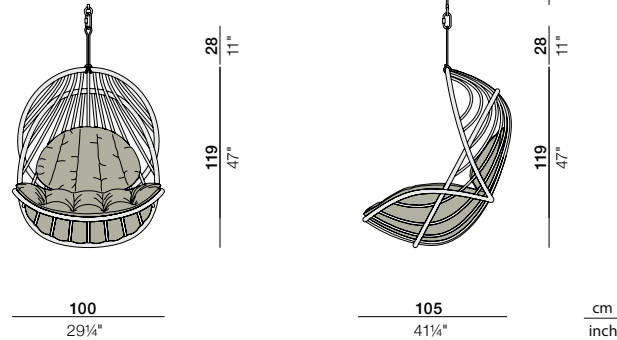
KIDA

Hanging lounge chair

Design by **Stephen Burks** | Ref. **ANZ** | Weight **9,2 kg/21 lbs** | COM (Customer Own Material): **3,5 m/5 yds** (plain fabric only)



Measurements



Collection: With KIDA, Stephen Burks has designed a collection as delightful to look at as to use.

This collection to be wrapped rather than woven in DEDON special Fiber Touch, features a cradle-like organic form that's open, airy, light and inviting.

Frame: Aluminum

Characteristics: Playful, cozy, organic, inviting, vibrantly colored

Frame Maintenance: Clean with a soft cloth and warm water.

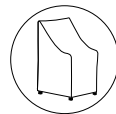
Craftmanship in numbers: Length 648 m / 748 yds | **Weaving hours:** 54

Material Combinations

Fiber & Base



Additional Items



AN5
Cover

Cushions

Cushion Rev. AN4 + Fabric code

Please see Fabric Options Fact Sheet

Seat cushion
B 132 × T 108 × H 13 cm
W 52" × D 42½" × H 5"

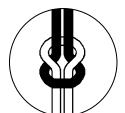
Fabrics

Cushions for this collection are available in all fabrics **Cat. A, B, C** (excluding GLAN).

Features



Contract



Cushion holder



Assembly
required



360°
rotatable

To learn more about DEDON, our collections and warranty policy, please visit our website –

dedon.de

11/23

DEDON