



HEATSAIL

EXTEND YOUR GREAT MOMENTS

GLOW[®] by HEATSAIL

TECHNICAL INFORMATION



RUSTPROOF &
WEATHERPROOF



LOW ENERGY USAGE
ZERO CO2 EMISSIONS



MINIMUM OF
MAINTENANCE



MULTIFUNCTIONAL



HEATSAIL

EXTEND YOUR GREAT MOMENTS

GLOW® by HEATSAIL

FEATURES



MINIMUM OF
MAINTENANCE

By using high efficient and durable ceramic heating elements and the best materials, the GLOW is virtually maintenance free.



RUSTPROOF &
WEATHERPROOF

The GLOW is made out of high quality material such as Aluminium and Stainless steel, making it suitable for outdoor use.



MULTIFUNCTIONAL

GLOW consists of sets of 3 or 5 pieces, with a flexible suspension cable. Optional suspension stems available.



LOW ENERGY USAGE
ZERO CO2 EMISSION

The GLOW collection uses less energy than the traditional gas heaters. Because the GLOW collection is 100% electric, it doesn't emit CO2 and has a low energy consumption.



Headquarters

Prins Boudewijnlaan 7 Unit A 08
2550 Kontich
Belgium
+ 32 3 502 99 88

North American office

10440 N Central Expressway
Suite 800, Dallas, Texas 75231
United States
+ 1 (214) 808 5091

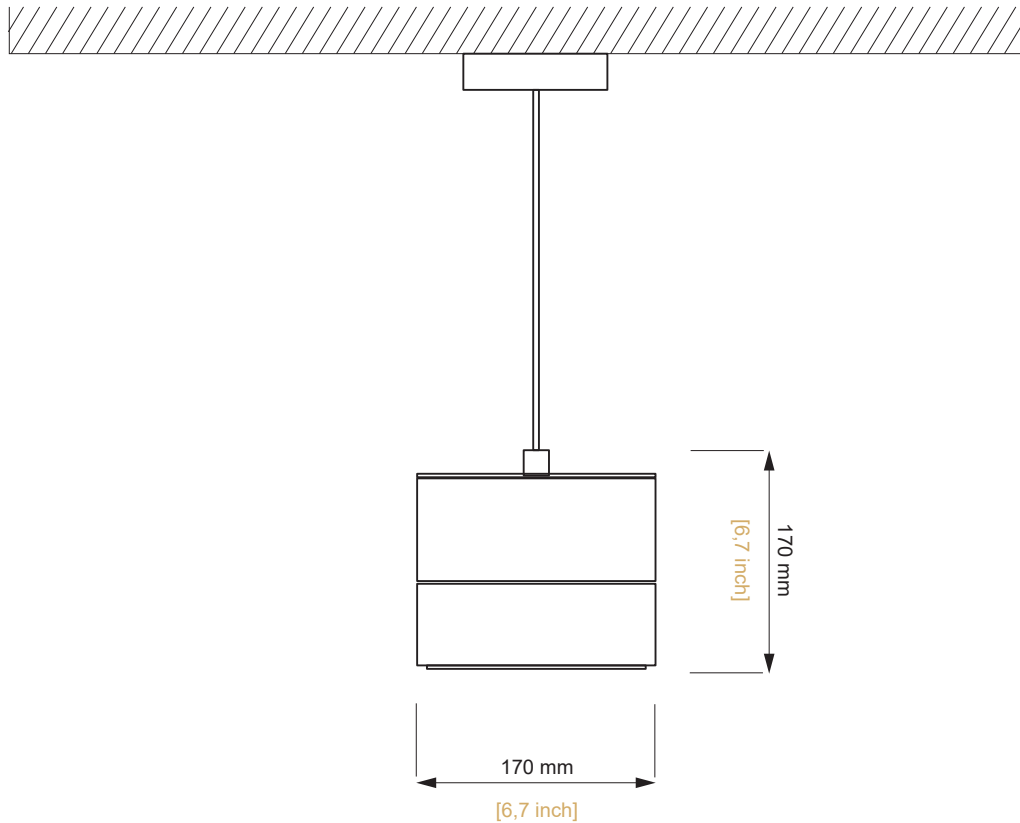
W: www.heatsail.com

E: sales@heatsail.com



GLOW[®] by HEATSAIL

DIMENSIONS



SPECIFICATIONS

Model	GLOW
Heat output (W)	600 W
Light Output (W)	max. 2x20 W (halogen) or max. 2x5 W (LED glass bulb)
Electrical connection	230V AC - 50Hz - 2,8 A
Dimensions (DxH)	Ø170 x 170 mm
Mounting height requirement to ground	min 1800 mm
Weight	2.5 kg
Approvals	CE, IEC 60335-2-30, CAN/CSA-C22.2 No. 60335-1:16, CAN/CSA-E60335-2-30:13, UL 60335-1



Headquarters
Prins Boudewijnlaan 7 Unit A 08
2550 Kontich
Belgium
+ 32 3 502 99 88

North American office
10440 N Central Expressway
Suite 800, Dallas, Texas 75231
United States
+ 1 (214) 808 5091

W: www.heatsail.com
E: sales@heatsail.com

GLOW[®] by HEATSAIL

ELECTRICAL SAFETY REQUIREMENTS

The use of the GLOW requires an electrical installation with reliable safety grounding.

The installation's electrical safety can only be guaranteed if the device has been correctly connected to an earthing system built in accordance with the safety instructions. A preliminary inspection is absolutely essential. In the event of any uncertainty, a careful inspection must be made by a qualified and authorised technician. Heatsail will not be held responsible for injury and/or damage resulting from an ungrounded installation.

The installation of each GLOW's electrical components requires a mains connection of 230V AC-50 Hz (2,8Amp fuse and appropriate RCD): the connection must be properly implemented in accordance with the applicable IEC-CEI standards. Please note: statutory and other regulation may apply locally.

The electrical power supply will need to be interrupted before connecting and/or other work on the electrical components can be carried out. Everyone must satisfy themselves that the power can't be switched on again accidentally. The use of adapters, power strips and extension leads may not be used for the GLOW's electrical supply. A switch must be installed between the GLOW and the fuse box at all times.

Non-compliance with these instructions may compromise the safety of the device. Heatsail will not be held liable for any damage resulting from this

NOTE: The GLOW will be delivered with a supply cord without plug.



Headquarters

Prins Boudewijnlaan 7 Unit A 08
2550 Kontich
Belgium
+ 32 3 502 99 88

North American office

10440 N Central Expressway
Suite 800, Dallas, Texas 75231
United States
+ 1 (214) 808 5091

W: www.heatsail.com

E: sales@heatsail.com

GLOW[®] by HEATSAIL

ELECTRICAL OVERVIEW

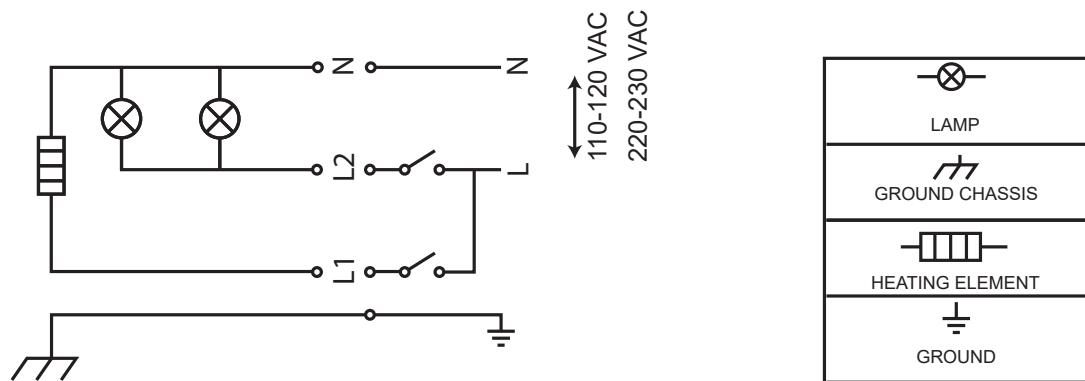
The GLOW consists out of a combination of stainless steel enclosure and a glass cover on top, with one round heating elements on the bottom and two dimmable bulbs on top.

The use of LED bulbs is possible, if they are made out of glass this makes them better resistant to high temperatures.

Note: the life expectancy of LED bulbs decreases significantly at high temperatures. Choose the right lamp when replacing; not every lamp is dimmable.

SINGLE GLOW

- Circuit 1: Heating circuit consists of 1 lower round heating element and has a total power of 600 W at 230V AC
- Circuit 2: Lighting circuit consists of 2 bulb of each max. 20 W (halogen) or max. 5 W (LED glass bulb) at 230V AC



SET OF 3 GLOW's

- Circuit 1: Heating circuit consists of 3 lower round heating elements and has a total power of 1800 W at 230V AC
- Circuit 2: Lighting circuit consists of 6 bulb of each max. 20 W (halogen) or max. 5 W (LED glass bulb) at 230V AC
- Wiring diagram on page 6

SET OF 5 GLOW's

- Circuit 1: Heating circuit consists of 5 lower round heating elements and has a total power of 3000 W at 230V AC
- Circuit 2: Lighting circuit consists of 10 bulb of each max. 20 W (halogen) or max. 5 W (LED glass bulb) at 230V AC
- Wiring diagram on page 7



Headquarters
Prins Boudewijnlaan 7 Unit A 08
2550 Kontich
Belgium
+ 32 3 502 99 88

North American office
10440 N Central Expressway
Suite 800, Dallas, Texas 75231
United States
+ 1 (214) 808 5091

W: www.heatsail.com
E: sales@heatsail.com

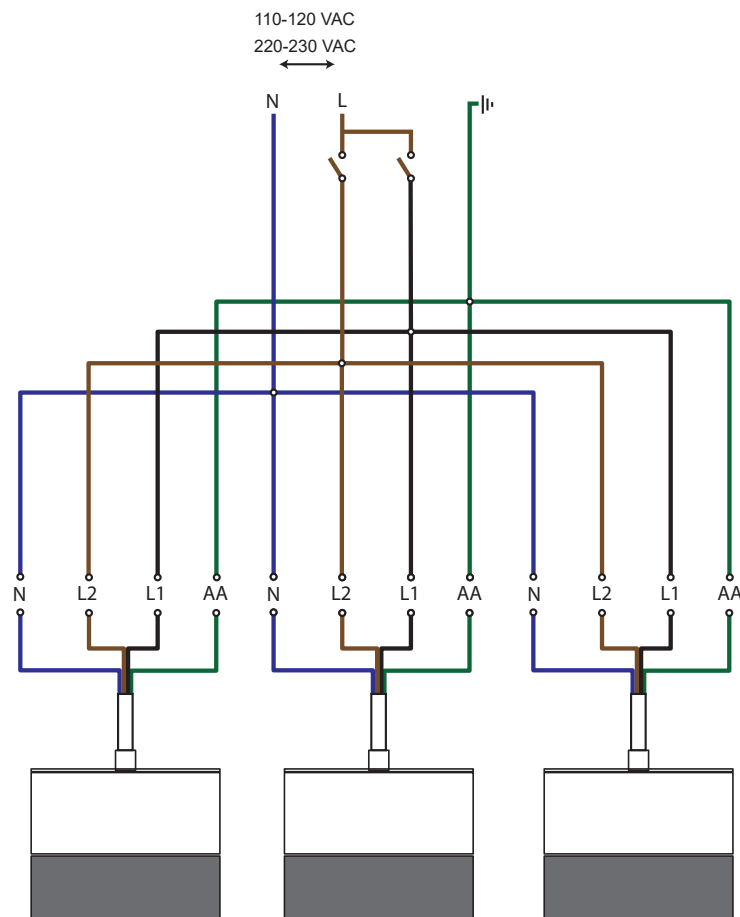
GLOW® by HEATSAIL

ELECTRICAL OVERVIEW AND WIRING DIAGRAM: SET OF 3 GLOW's

To connect the GLOW as a set of three to the main power, a 3 pole connection is required consisting of 2 hot wires (with an output of 230V AC - 50 Hz) and 1 grounding wire in a size not less than 2.5 mm² / 14 AWG.

The incoming power is divided over the 2 circuits through 2 wall switches installed by a qualified electrician. The output lines of the wall switches will consist of 4 lines in a size not less than 2.5 mm² / 14 AWG according to the following indicative wiring diagram:

N: neuter
L1: heating
L2: lighting
AA: grounding



Headquarters
Prins Boudewijnlaan 7 Unit A 08
2550 Kontich
Belgium
+ 32 3 502 99 88

North American office
10440 N Central Expressway
Suite 800, Dallas, Texas 75231
United States
+ 1 (214) 808 5091

W: www.heatsail.com
E: sales@heatsail.com

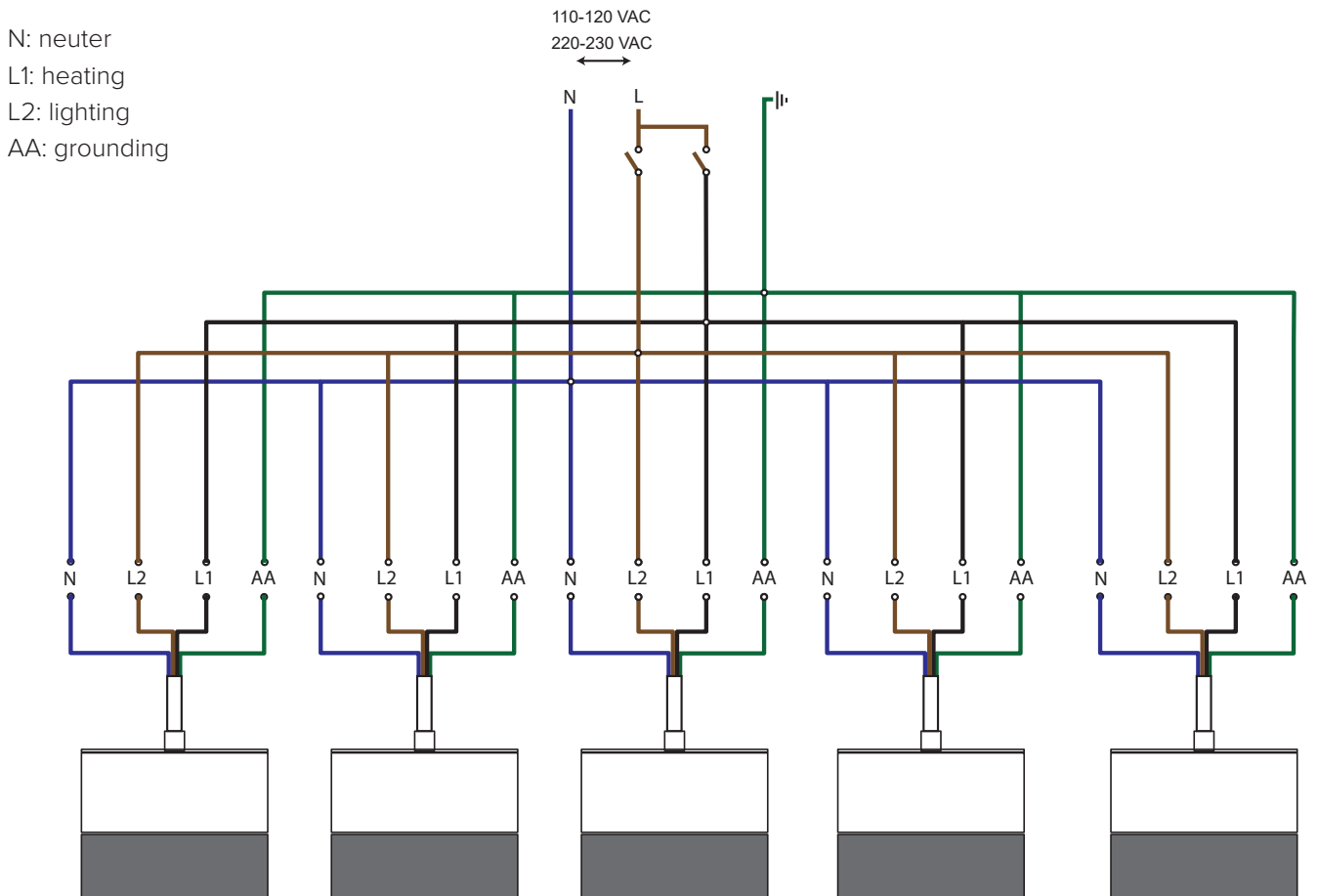


GLOW[®] by HEATSAIL

ELECTRICAL OVERVIEW AND WIRING DIAGRAM: SET OF 5 GLOW's

To connect the GLOW as a set of five to the main power, a 3 pole connection is required consisting of 2 hot wires (with an output of 230V AC - 50 Hz) and 1 grounding wire in a size not less than 2.5 mm² / 14 AWG.

The incoming power is divided over the 2 circuits through 2 wall switches installed by a qualified electrician. The output lines of the wall switches will consist of 4 lines in a size not less than 2.5 mm² / 14 AWG according to the following indicative wiring diagram:



Headquarters
Prins Boudewijnlaan 7 Unit A 08
2550 Kontich
Belgium
+ 32 3 502 99 88

North American office
10440 N Central Expressway
Suite 800, Dallas, Texas 75231
United States
+ 1 (214) 808 5091

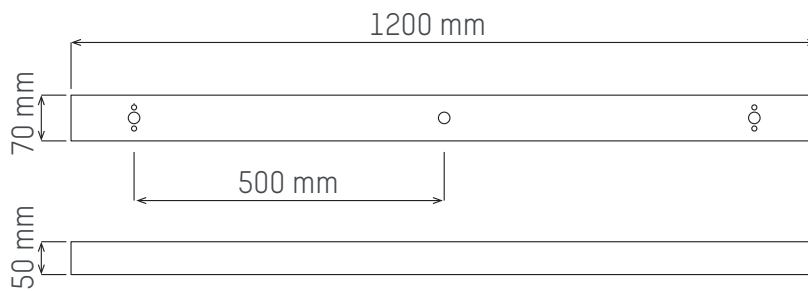
W: www.heatsail.com
E: sales@heatsail.com



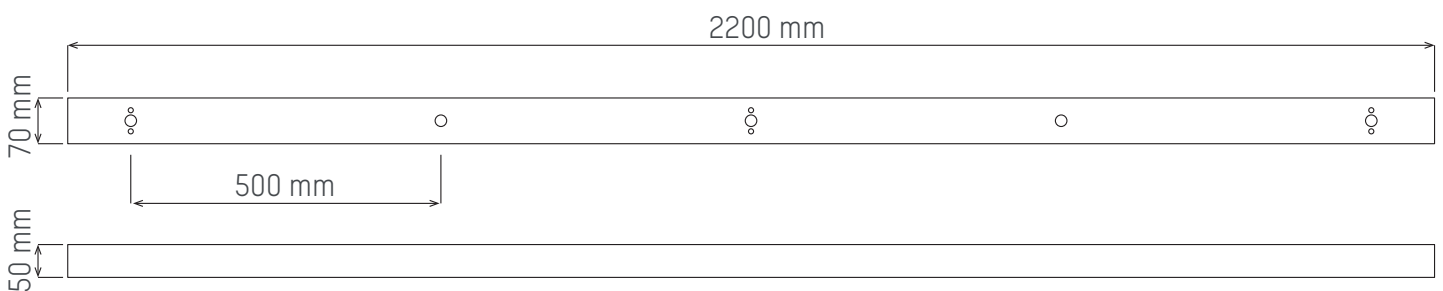
GLOW[®] by HEATSAIL

DETAILS CEILING MOUNT: STRAIGHT CEILING ROSE (OPTIONAL)

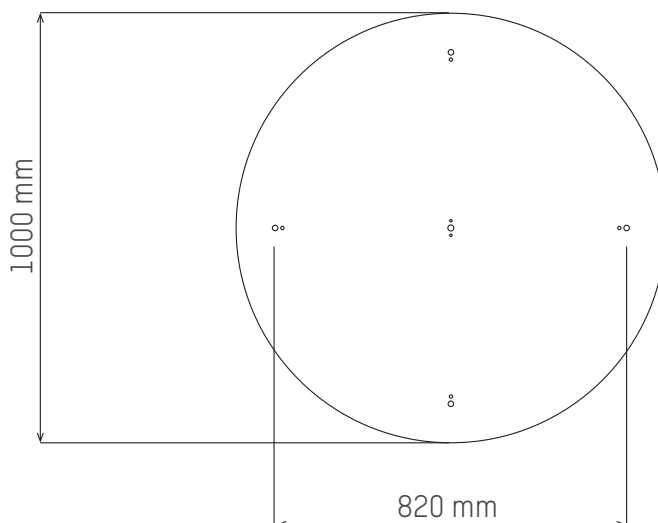
Set of 3 GLOW's



Set of 5 GLOW's



DETAILS CEILING MOUNT: ROUND CEILING ROSE (OPTIONAL)



Headquarters
Prins Boudewijnlaan 7 Unit A 08
2550 Kontich
Belgium
+ 32 3 502 99 88

North American office
10440 N Central Expressway
Suite 800, Dallas, Texas 75231
United States
+ 1 (214) 808 5091

W: www.heatsail.com
E: sales@heatsail.com

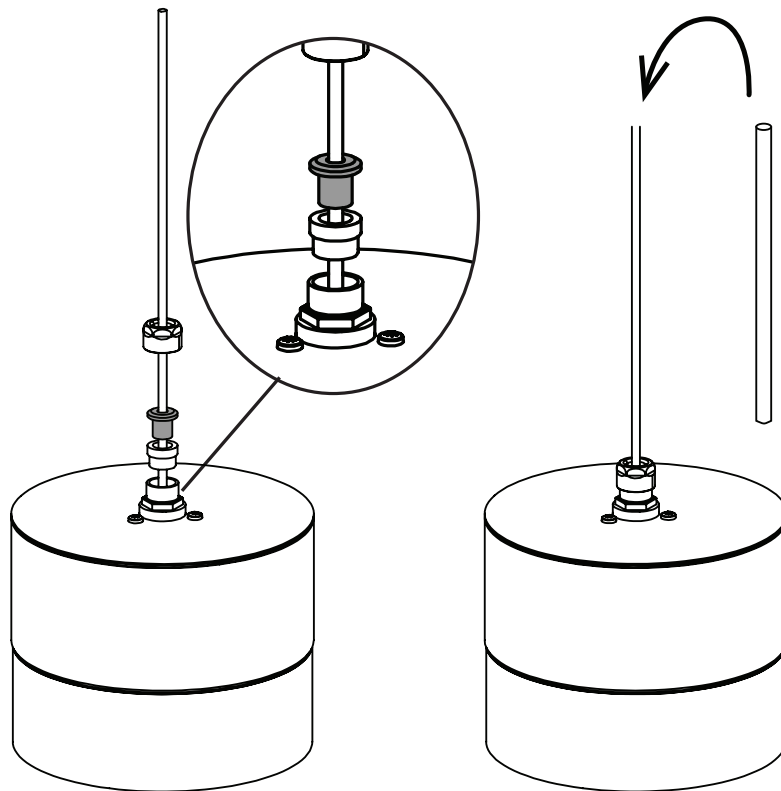
GLOW[®] by HEATSAIL

MOUNTING METHODS: SUSPENSION BY CABLES

The GLOW standard has to be hung by means of the power cable and can be shortened to the desired length.

MOUNTING METHODS: SUSPENSION BY STEMS

The GLOW can optionally be hung by means of a stem. The supplied stainless steel stem with a diameter of 10 mm, have a length of 1m20 and can be shortened to the desired length.



The GLOW is supplied with a two-piece gasket in the coupling: by removing a gasket from it, the rod can be placed and clamped in a safe way. See manual for more information.



Headquarters
Prins Boudewijnlaan 7 Unit A 08
2550 Kontich
Belgium
+ 32 3 502 99 88

North American office
10440 N Central Expressway
Suite 800, Dallas, Texas 75231
United States
+ 1 (214) 808 5091

W: www.heatsail.com
E: sales@heatsail.com