

PARTS LIST

- 2x Front Plate
- 4x Small Grille Clip
- 4x Small Back Plate
- 4x M4 x 40mm Hex Screw

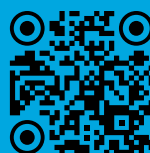


REQUIRED TOOLS

- M3 Hex Allen Wrench

TECH NOTES

- No cutting or drilling is required for front grille strobe light installation.
- Approximate install time: 20 minutes (not including harness installation)



SCAN FOR VIDEO
INSTRUCTIONS OR VISIT
[BUILT-BRIGHT.COM/INSTALL](https://www.built-bright.com/install)



STEP 1 – PLAN THE INSTALL

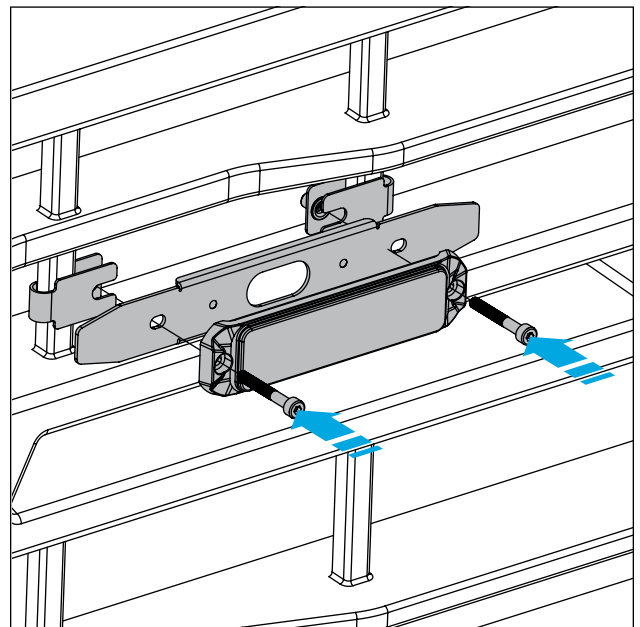
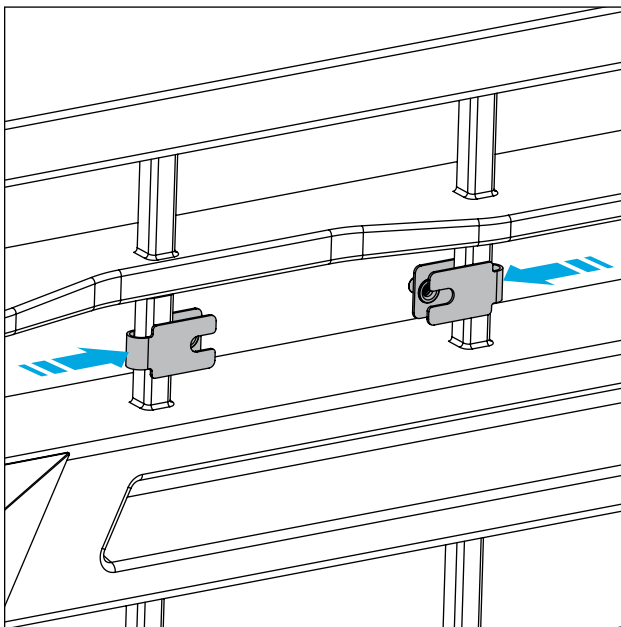
Unbox the grille brackets and lay out all of the components. Determine where you want to install the lights on the grille.

- There are 4 Small Grille Clips and 4 Small Back Plates included in this kit. Choose the option that best fits the grille opening you are installing the light into. In general, use the Small Grille Clips whenever possible and for openings taller than 1". The Small Back Plates should be used for openings shorter than 1" that aren't compatible with the Small Grill Clips.
- You only need 4 of either the Small Grill Clips or Small Back Plates and screws for the install.

Each option is outlined individually on the next 2 pages.

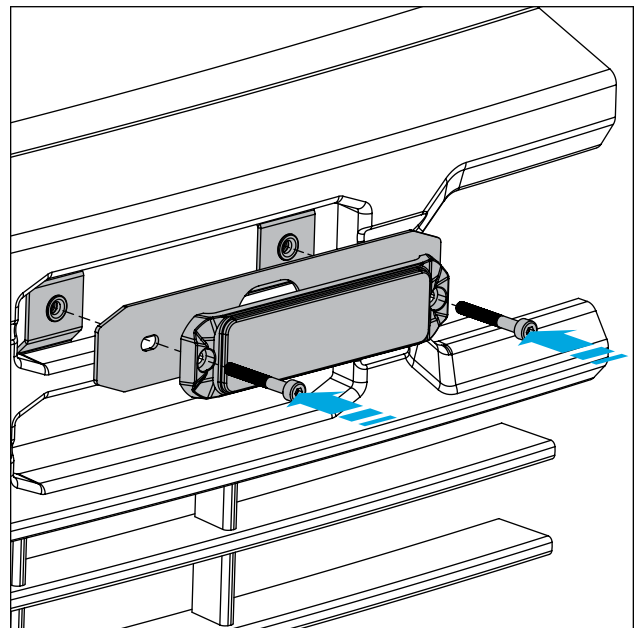
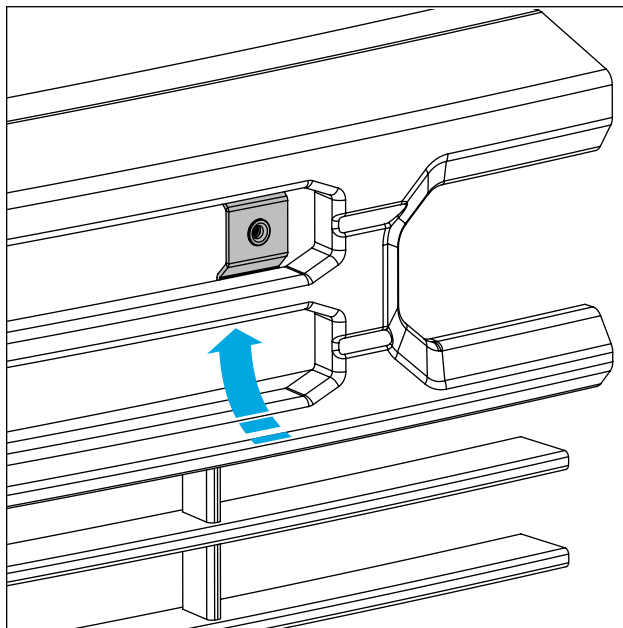
STEP 2 – SMALL GRILLE CLIP INSTALL

1. Place the clips onto the vertical slats of the grille opening where the light will be located.
2. Couple the light with the front plate. Align the two holes on the sides.
3. You can use the provided 3M tape to attach the lights to the front plate (optional).
4. Insert the screws through the light and front plate holes.
5. Insert the screws into the grille clips. You may need to hold or reposition the clips to ensure desired alignment.
6. Tighten the screws with an M3 hex wrench. **Do not overtighten.**



STEP 2 – SMALL BACK PLATE INSTALL

1. Couple the lights with the front plate. Align the two holes on the sides.
 2. Insert the screws through the light and the bracket holes.
 3. You can use the provided 3M tape to attach the lights to the bracket (optional).
 4. Mount the lights to the chosen location on the grille.
 5. Hold the back plate to the rear of the grille hole/slot.
 6. Tighten the screw with a hex wrench.
- Note: If the hole/slot of the grille is too small for your hand to reach behind, you can attach the back plate to the screw loosely beforehand. Insert the back plate horizontally through the hole/slot. Adjust the back plate vertically and then tighten the screws. **Do not overtighten.**



STROBELINK™

ALL-IN-ONE STROBE LIGHT KIT

BUILTBRIGHT

BASTROP, TEXAS 78602
UNITED STATES OF AMERICA
WWW.BUILT-BRIGHT.COM

