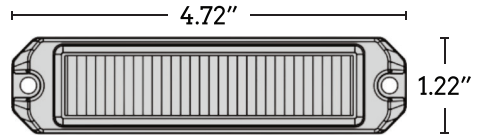


### WARNING – BEFORE INSTALLING THIS PRODUCT

- Verify all parts listed are in the box. If any parts are missing please contact the retailer for assistance.
- Read and understand all warnings and safety guidelines.
- Inspect product and if damage is found **DO NOT INSTALL**. Please contact the retailer for replacement.
- Verify that your electrical system can support the specified voltage limits for this product.
- If you are not qualified to work on vehicle wiring systems please seek professional assistance.
- Once installed do not look directly into LEDs while in operation! This may cause momentary blindness and/or eye damage.
- Usage of this product is at sole risk and responsibility of the user. Please follow all local, state and federal laws.

### INCLUDED

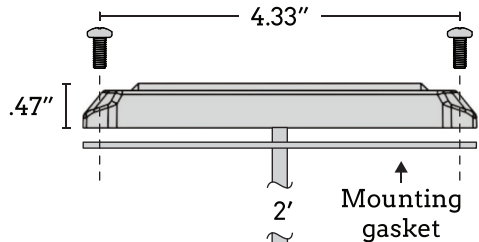
- 1x LED light bar
- Mounting hardware



### INSTALLATION

Two mounting options available.

1. Double sided 3M VHB tape provided for direct tape mount.
2. Both self-tapping & round head screws are provided for screw mount.



### WIRING

**Red** - To +VDC for default color 1 (fuse @ 2A)

**Gray** - To +VDC for default color 2 (fuse @ 2A)

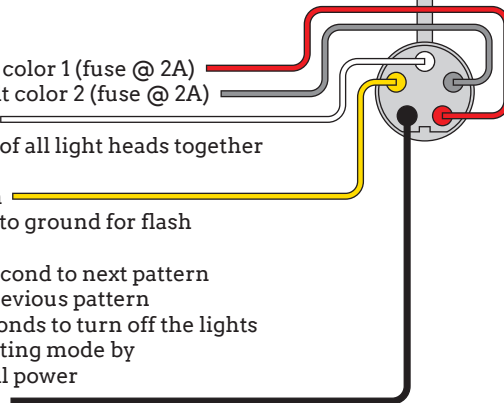
**White** - Synchronization

- Connect white wires of all light heads together for synchronization

**Yellow** - Pattern selection

- Connect yellow wire to ground for flash pattern selection:
  - Less than one second to next pattern
  - 1-3 seconds to previous pattern
  - More than 5 seconds to turn off the lights
  - Save and exit setting mode by disconnecting all power

**Black** - To chassis ground





### FLASH PATTERNS

1	Single Flash	12	Left Steady On - Right Single Flash
2	Single Flash - Slow	13	Right Steady On - Left Single Flash
3	Double Flash	14	Left Steady On - Right Double Flash
4	Double Flash - Slow	15	Right Steady On - Left Double Flash
5	Quint Flash	16	Left Single Flash - Right Single Flash
6	Octa Flash	17	Left Double Flash - Right Double Flash
7	Single Flash - Alternate	18	Left Quint Flash - Right Quint Flash
8	Double Flash - Alternate	19	Left Octa Flash - Right Octa Flash
9	Quint Flash - Alternate	20	Cycle
10	Octa Flash - Alternate	21	Steady On
11	Twelve Flash - Alternate		



### WARRANTY

ARC Lighting provides a 5 year warranty against manufacturing defects from date of purchase. If warranty service is needed, please contact the authorized dealer of where your product(s) were originally purchased.

Customer Support:

- Phone: (888) 608-2220
- Email: [support@arc.lighting](mailto:support@arc.lighting)
- Website: [www.arc.lighting/warranty-claim](http://www.arc.lighting/warranty-claim)



**BUILT BRIGHT™**

BASTROP, TEXAS 78602  
UNITED STATES OF AMERICA  
[WWW.BUILT-BRIGHT.COM](http://WWW.BUILT-BRIGHT.COM)



**⚠ WARNING: CANCER  
AND REPRODUCTIVE HARM**  
[WWW.P65WARNINGS.CA.GOV](http://WWW.P65WARNINGS.CA.GOV)