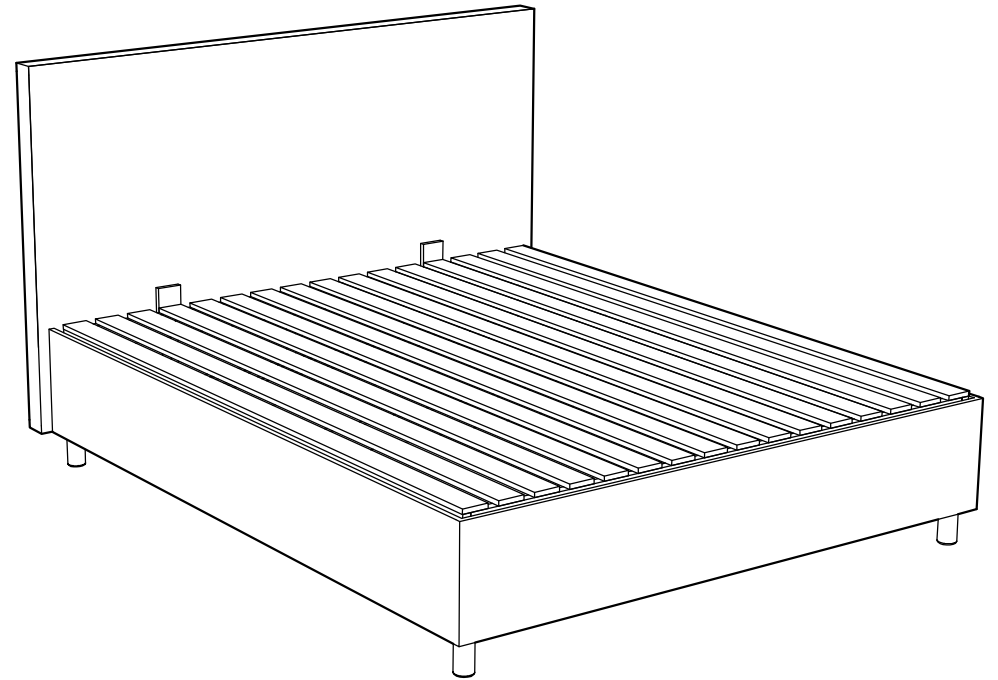
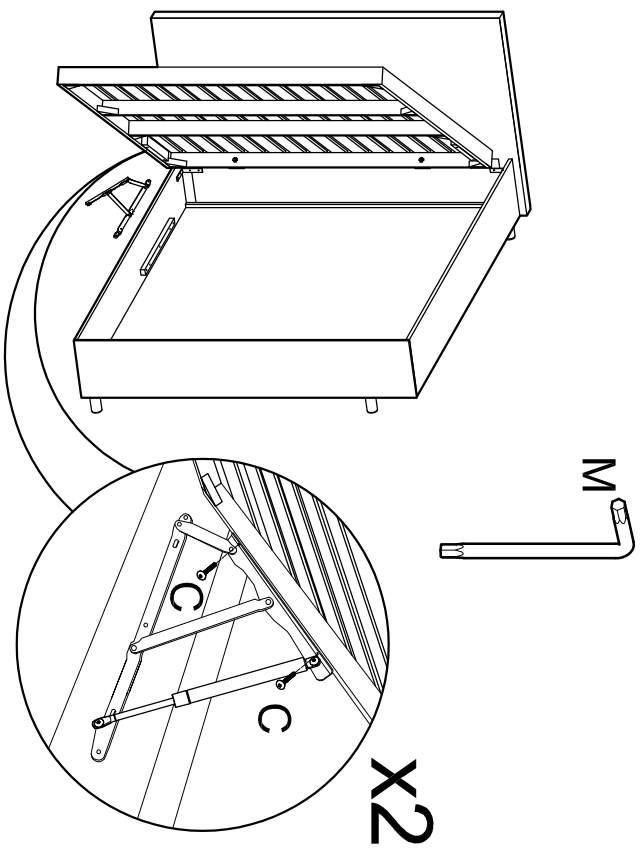
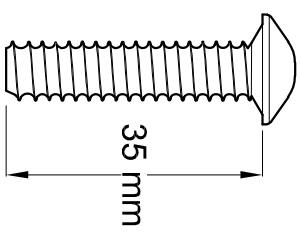


Singapore/ Damasco/Bangkok

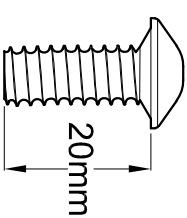




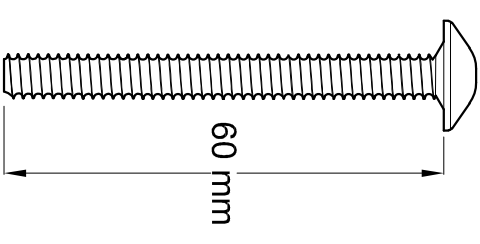
1:1



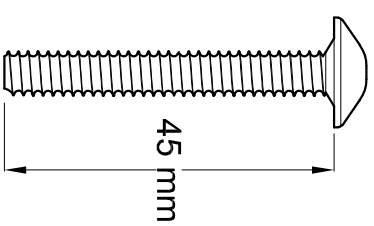
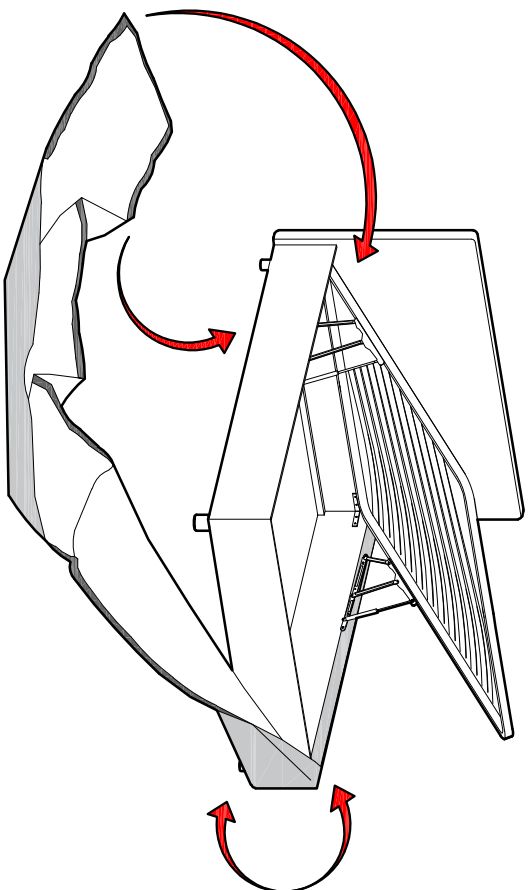
X 4 A
M6x35 mm



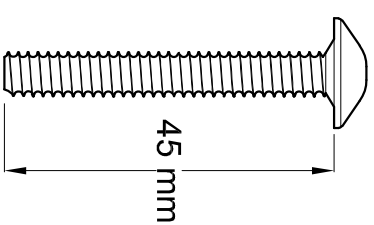
X 8 B
M6x20 mm



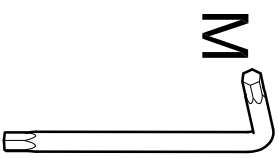
X 8 C
M8x60 mm



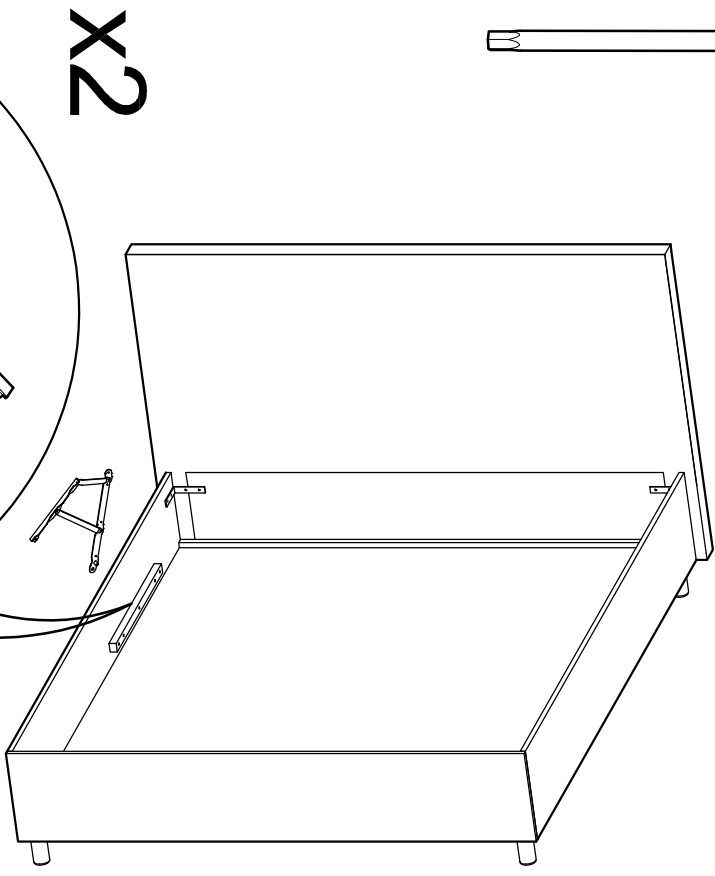
X 10 D
M6x45 mm



X 12 E
M8x45 mm



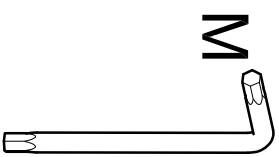
M



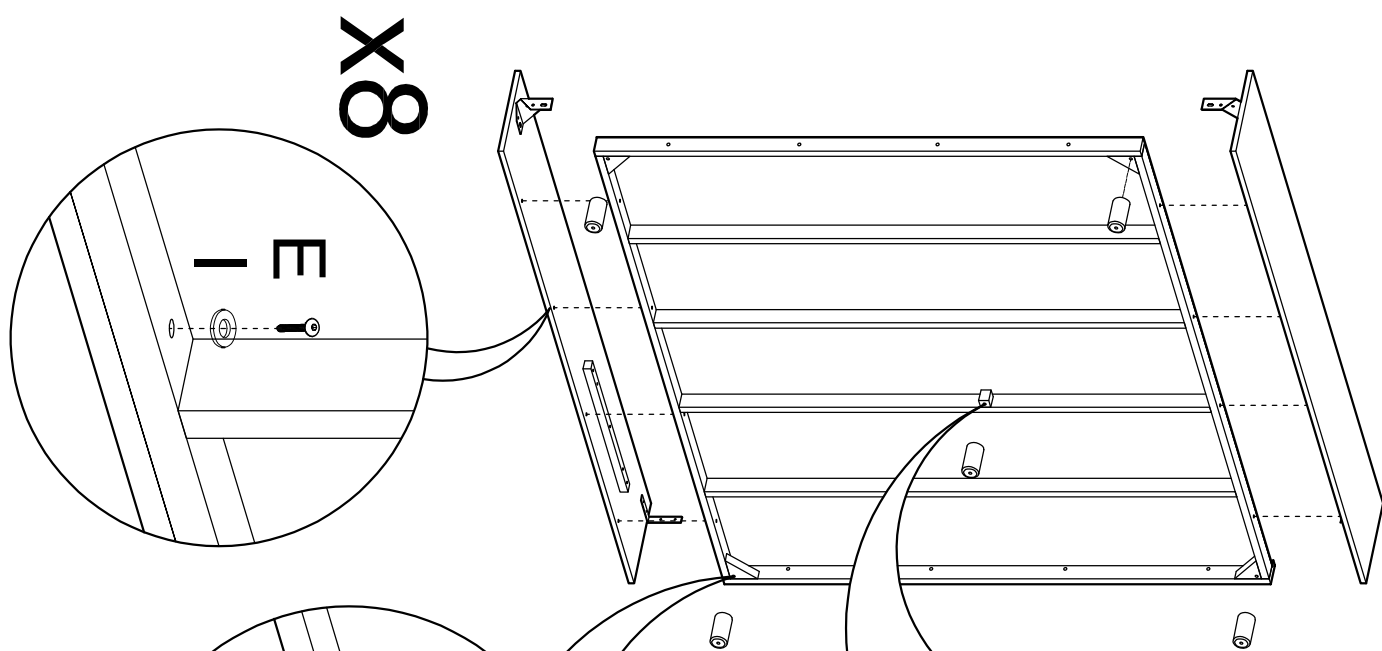
x2

K

x5D



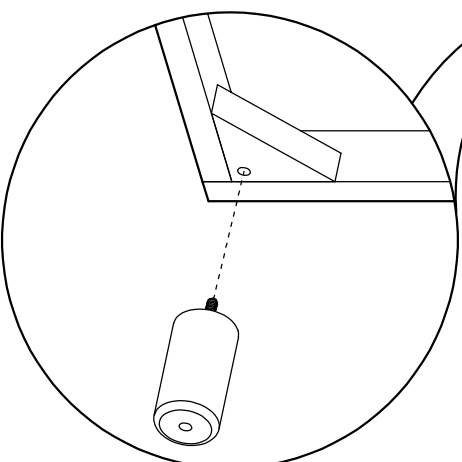
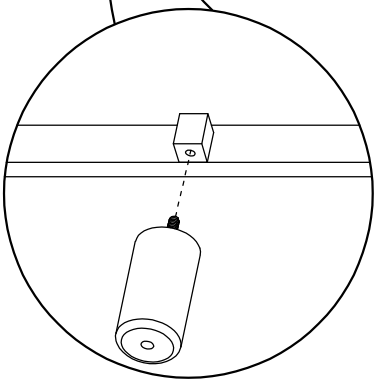
M



x8

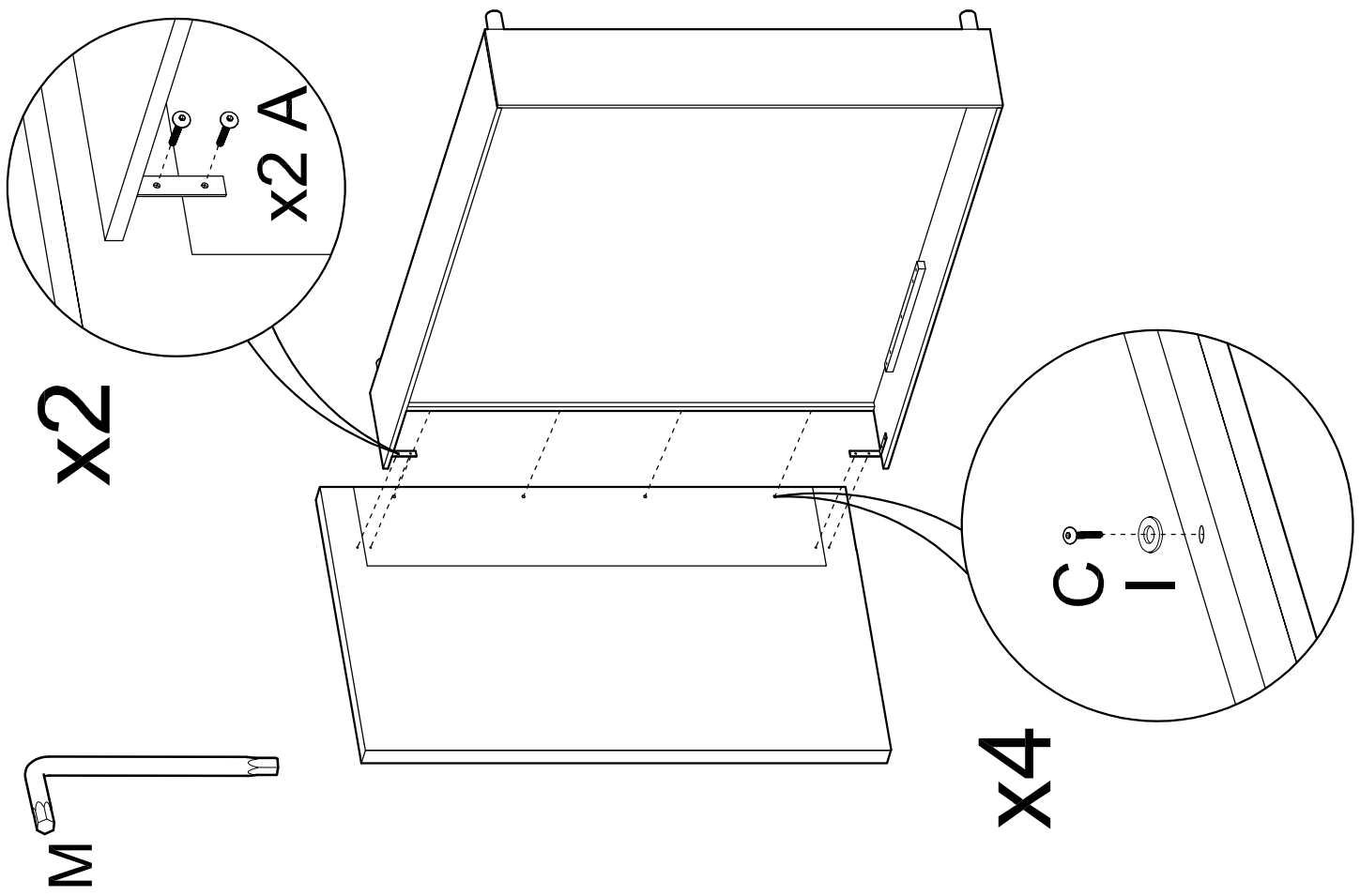
E1

x4

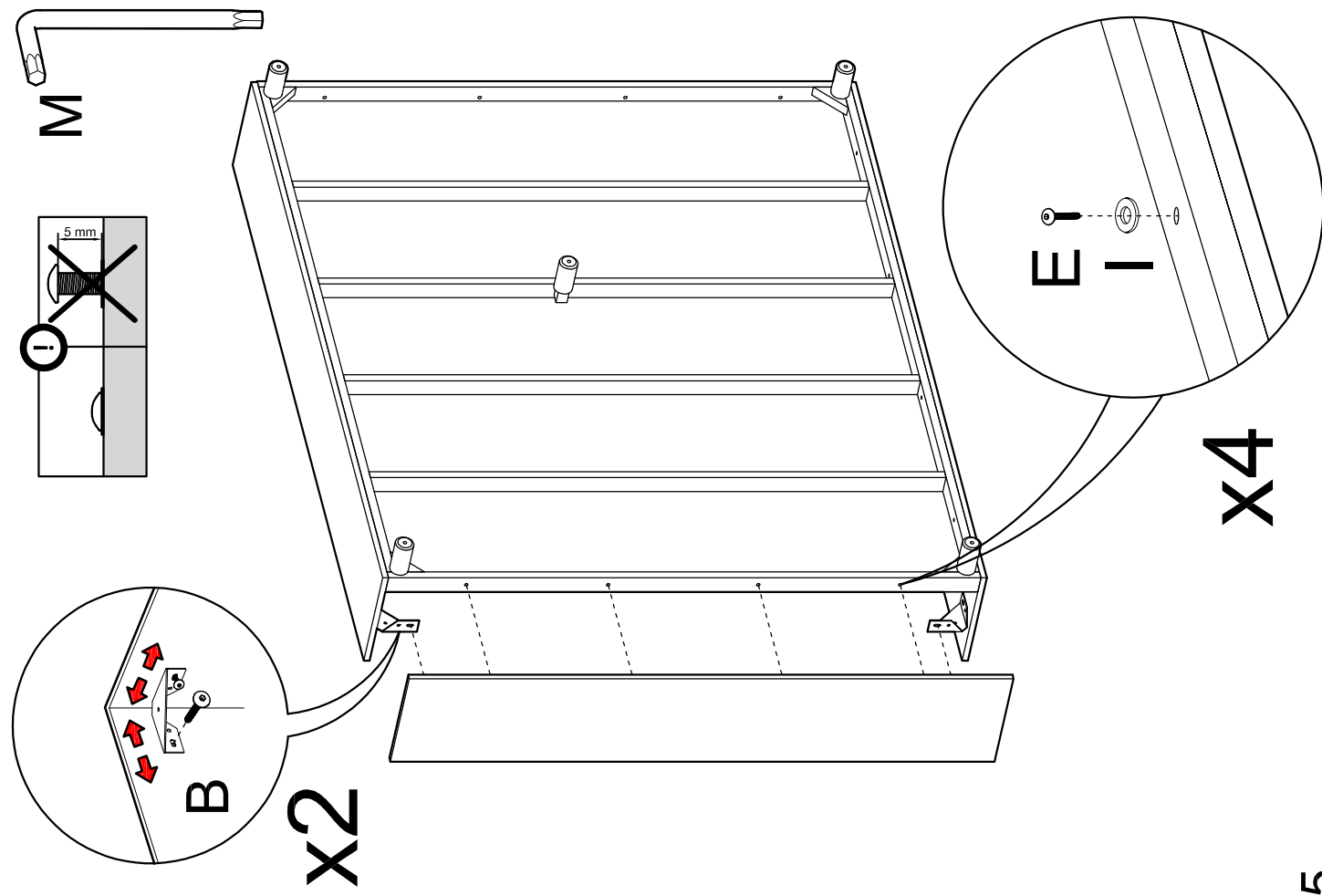


7.

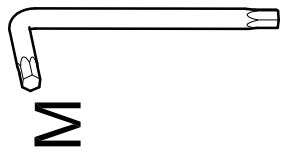
4.



6.

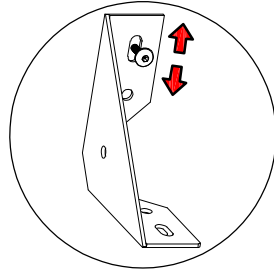


5.

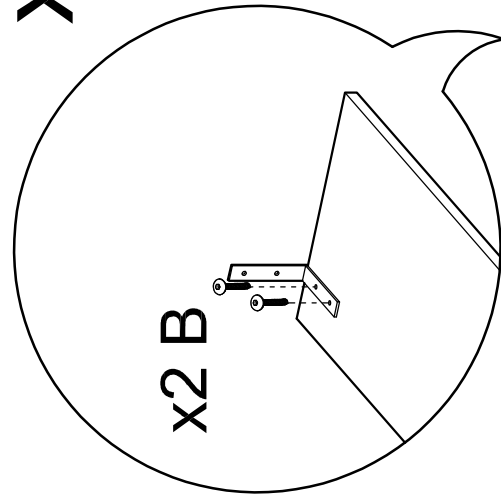


x2

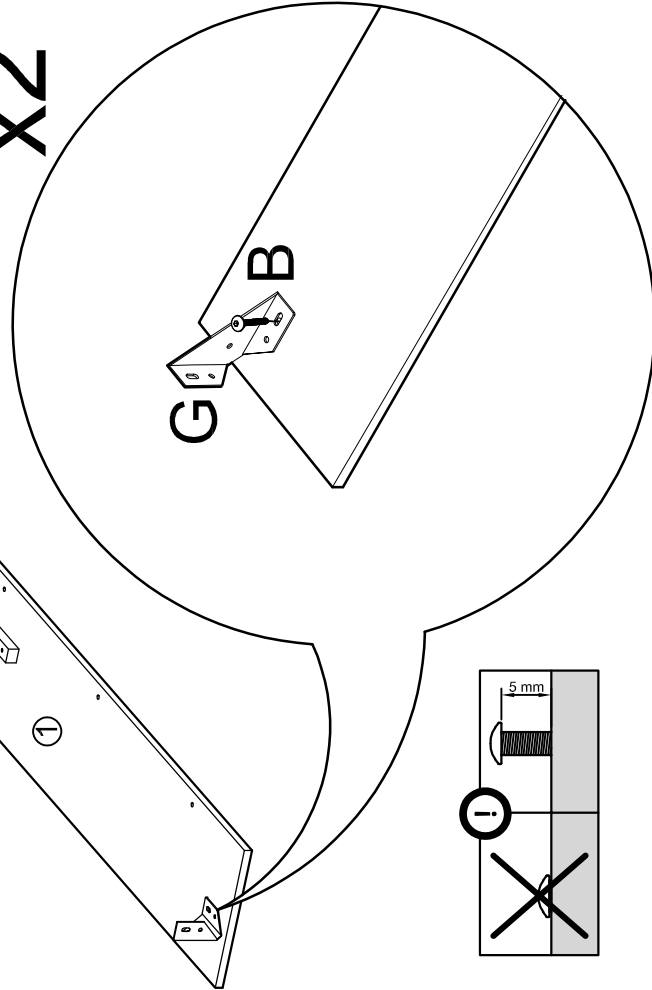
M



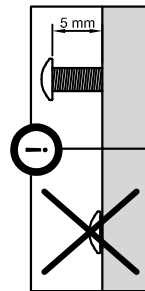
x2



x2 B



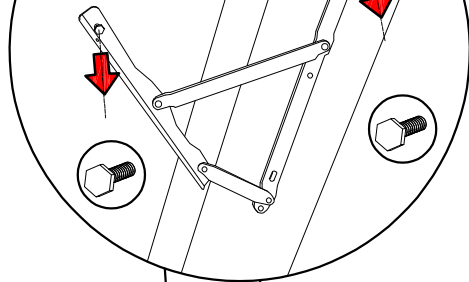
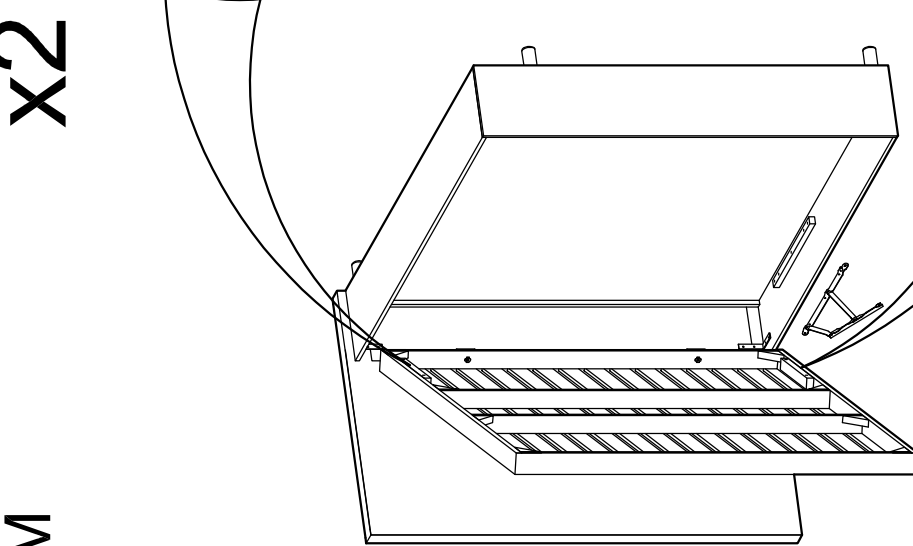
G B



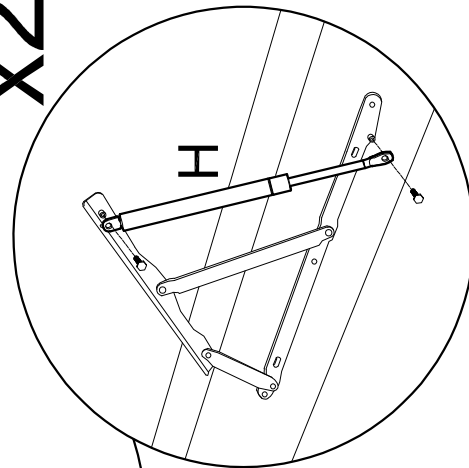
5 mm

1

x2



x2



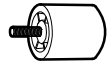
H



x4 A
M6X35 mm



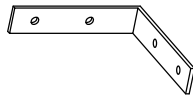
x8 C
M8X60 mm



x5 F
M8X15 mm



x2 H



x2 J



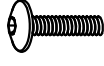
x1 L
5 mm



x8 B
M6X20 mm



x10 D
M6X45 mm



x12 E
M8X45 mm



x2 G



x16 I
M8 mm



x2 K



x1 M
4 mm

