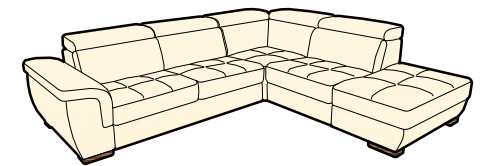
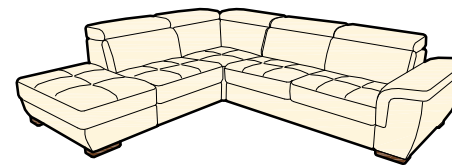
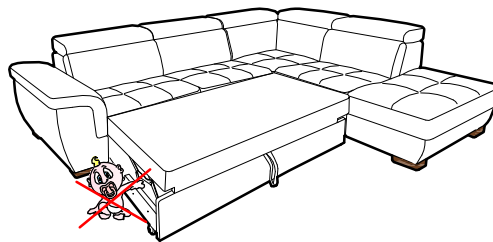
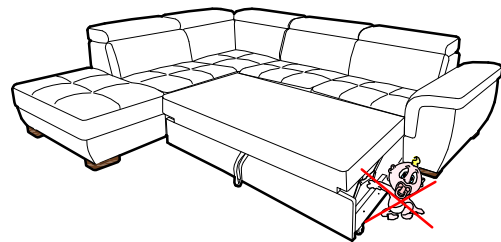
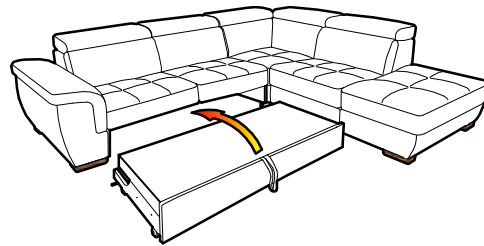
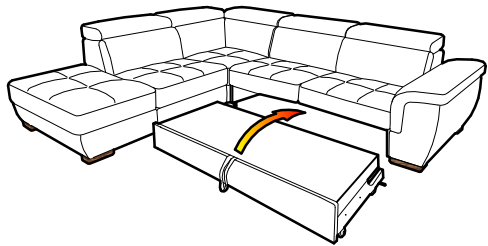


SX

ROMA / ANVERSA

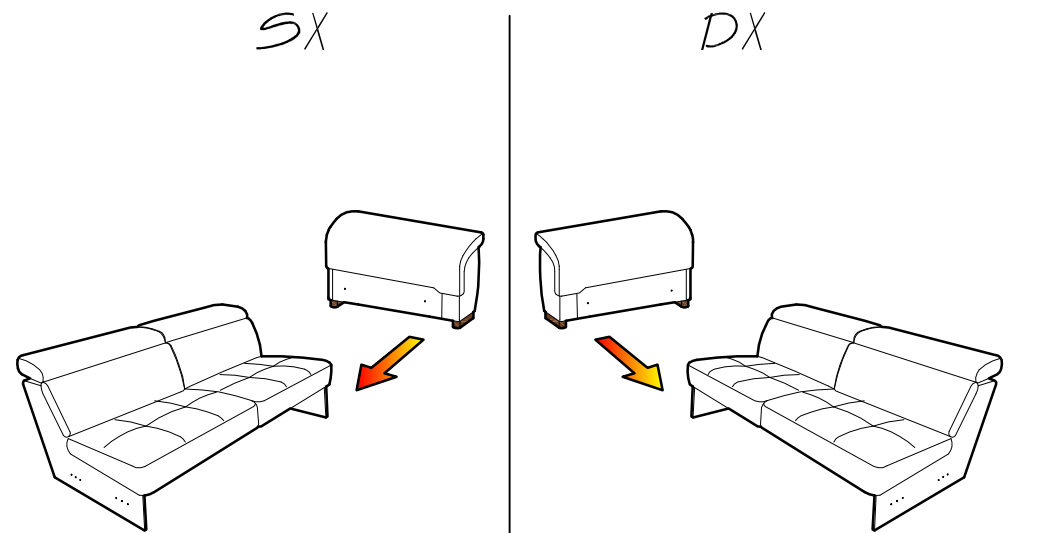
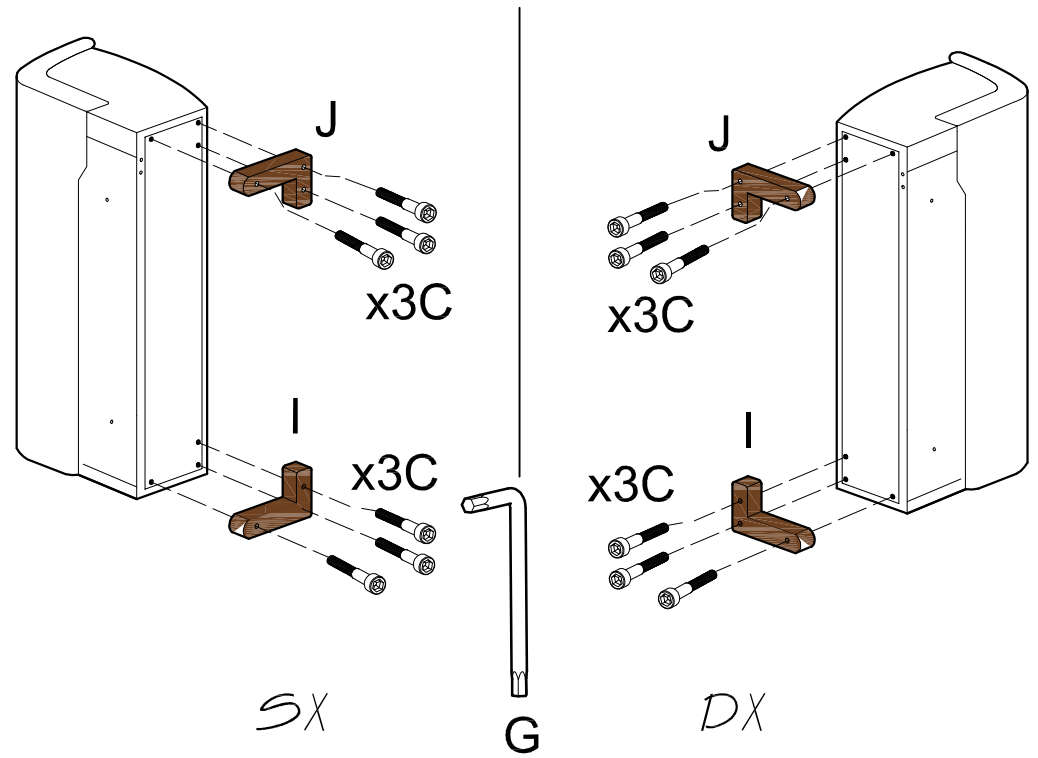
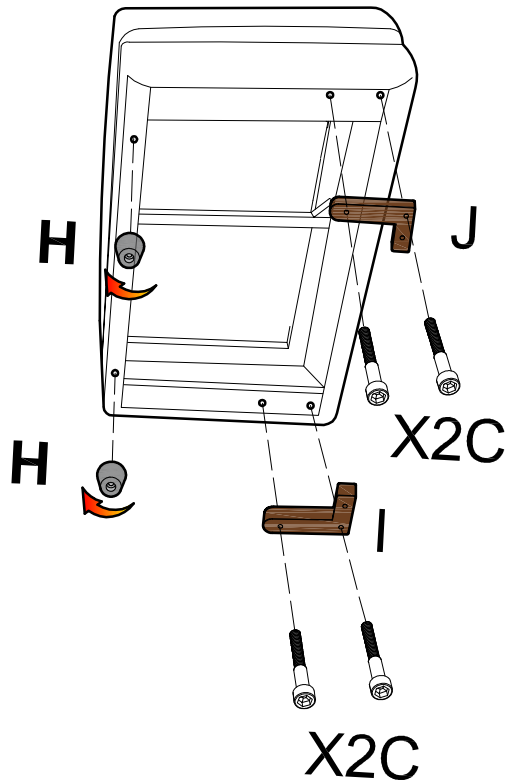
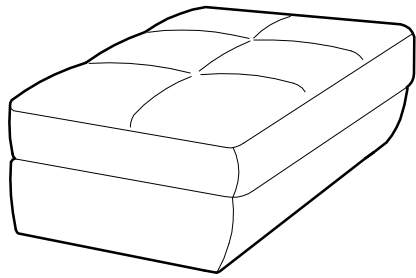
2P Carrello + Angolo + Penisola

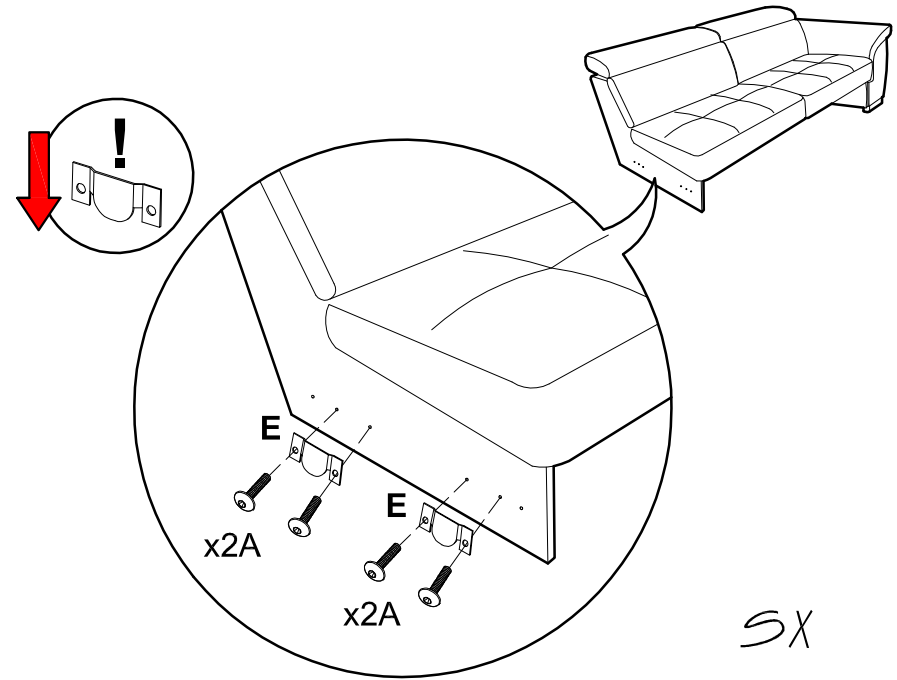
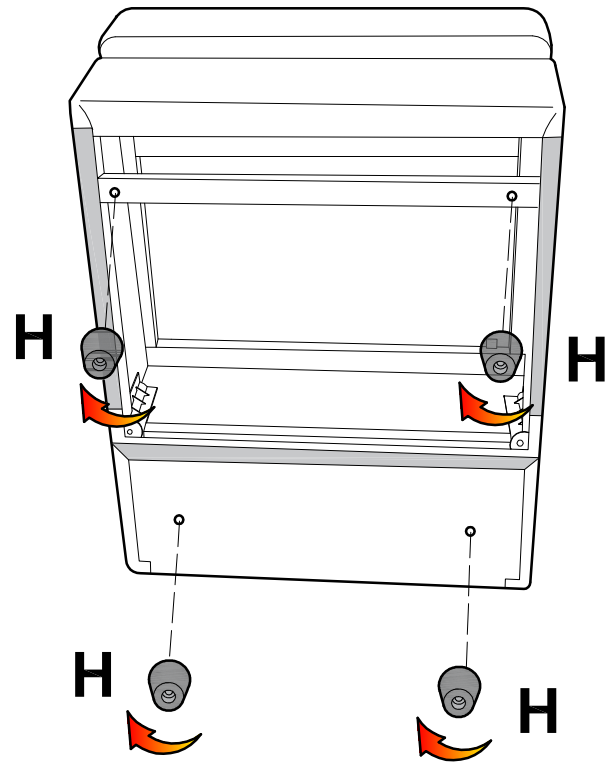


SX

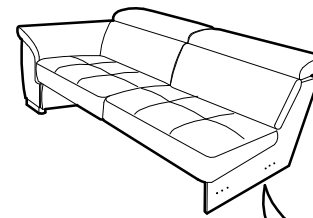
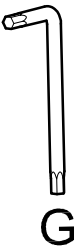
DX



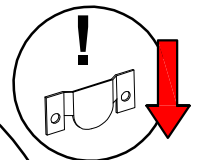


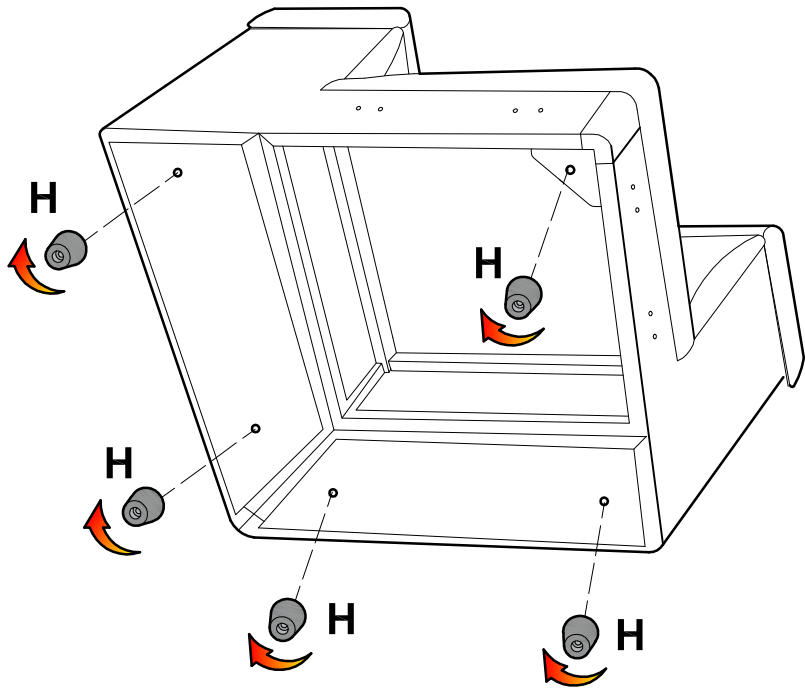


SX

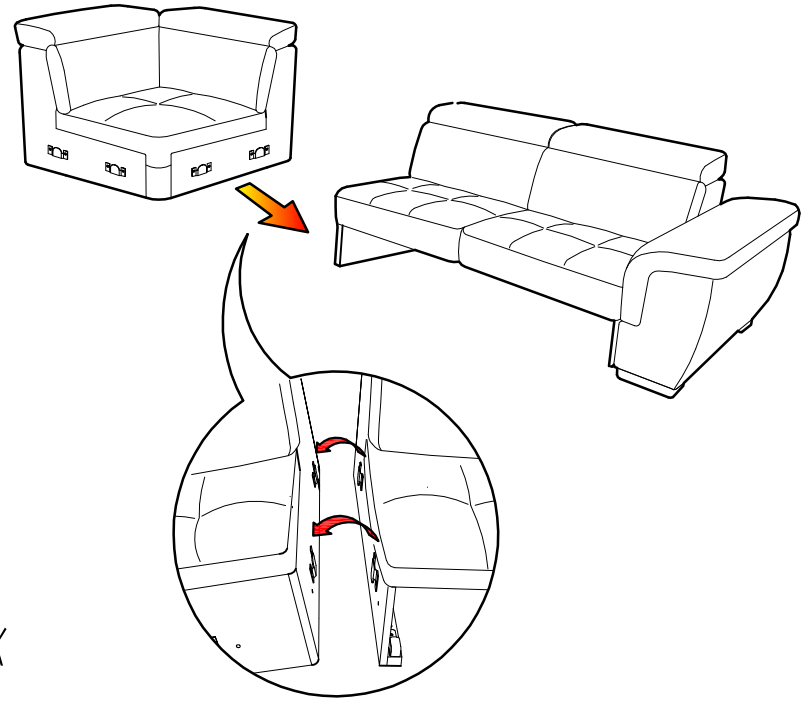


DX

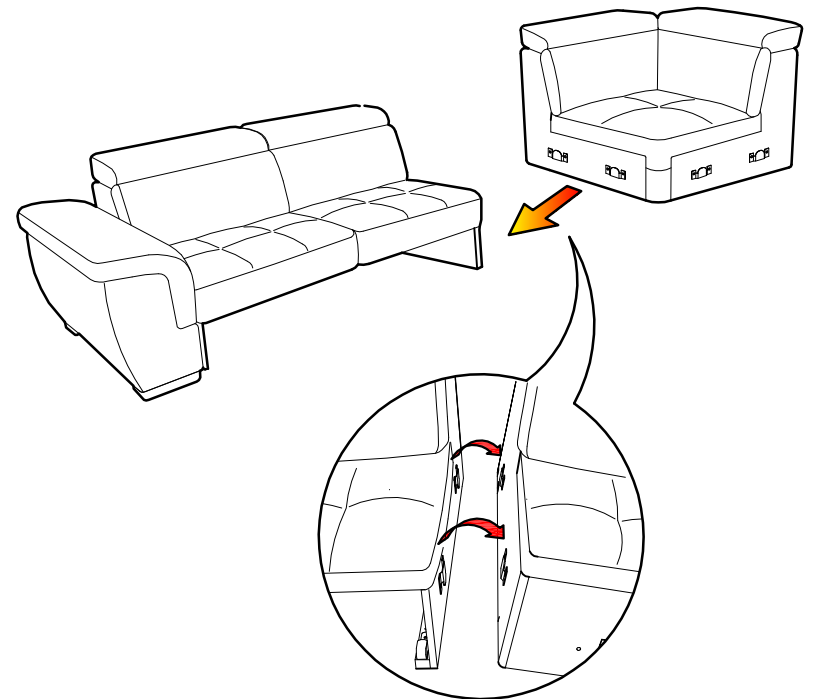




5

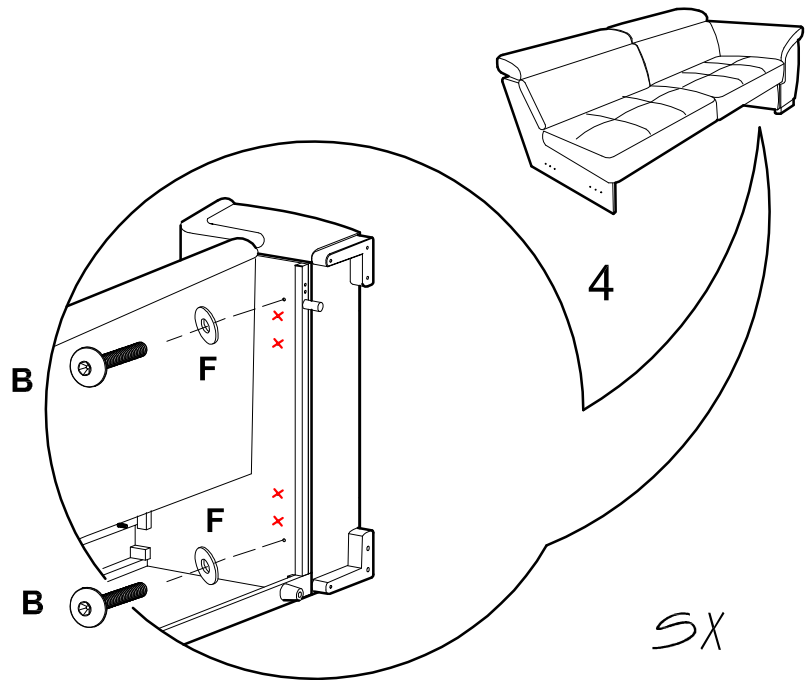


SX

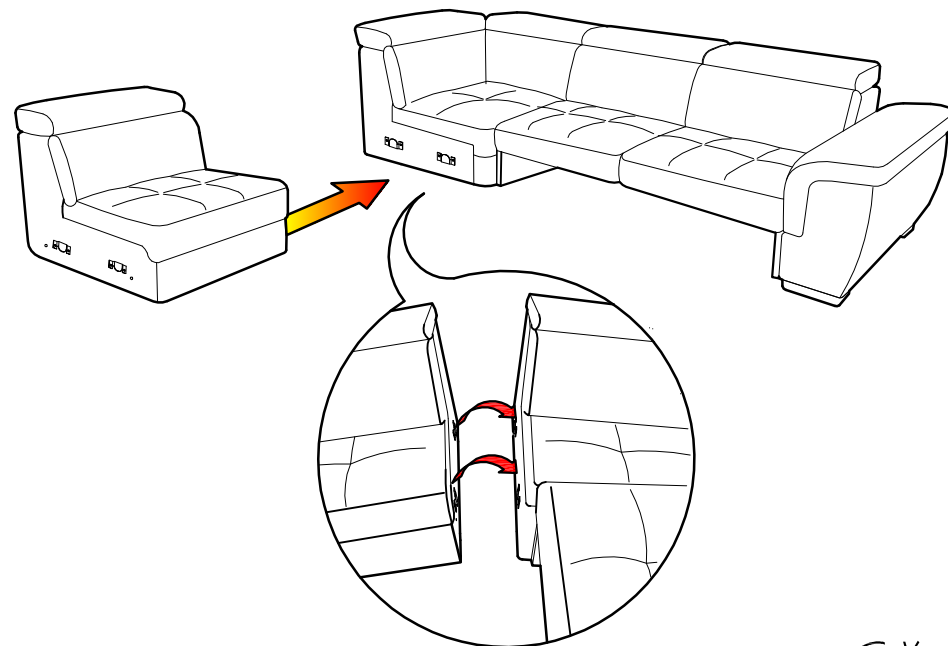


DX

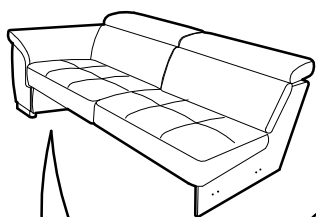
6



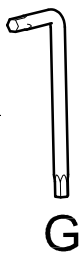
SX



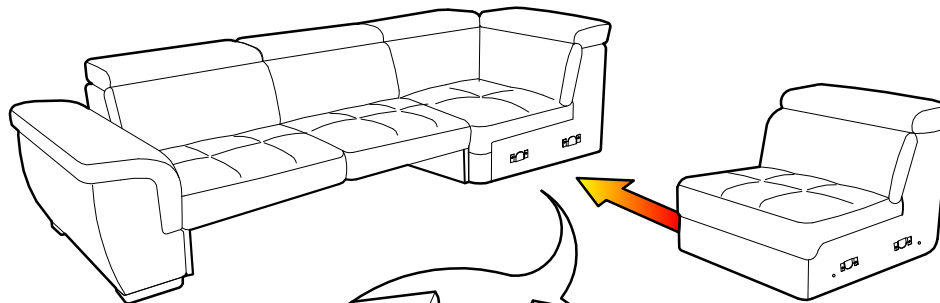
SX



DX

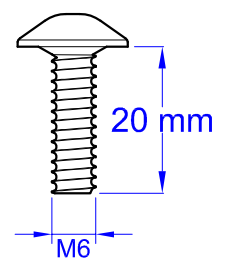


G

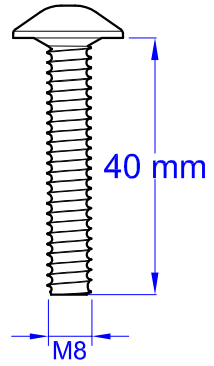


DX

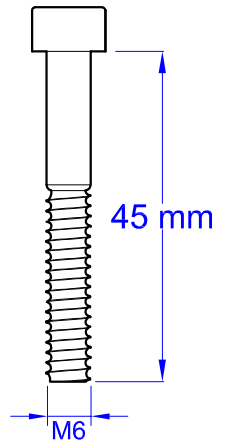
1:1



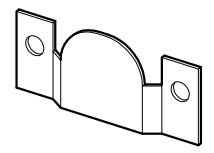
A
X 4



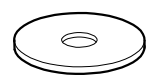
B
X 2



C
X 10



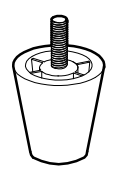
E
X 2



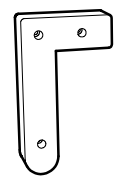
F
X 2



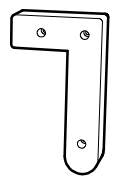
G
X 1
SW5



H
X 11

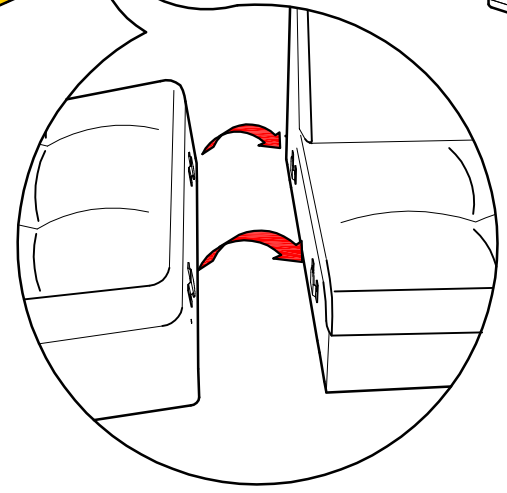
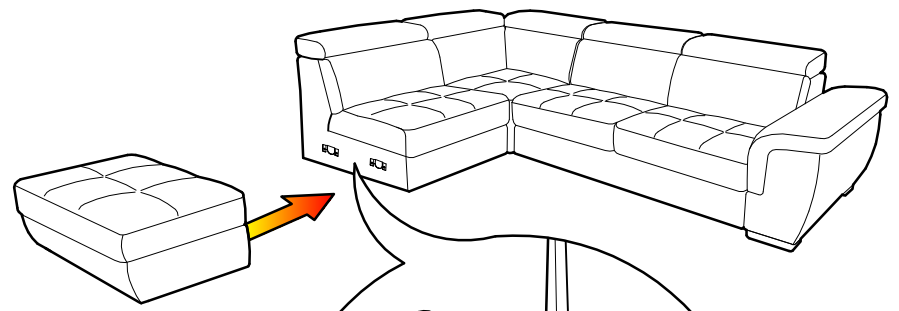


I
X 2



J
X 2

1



SX

DX

