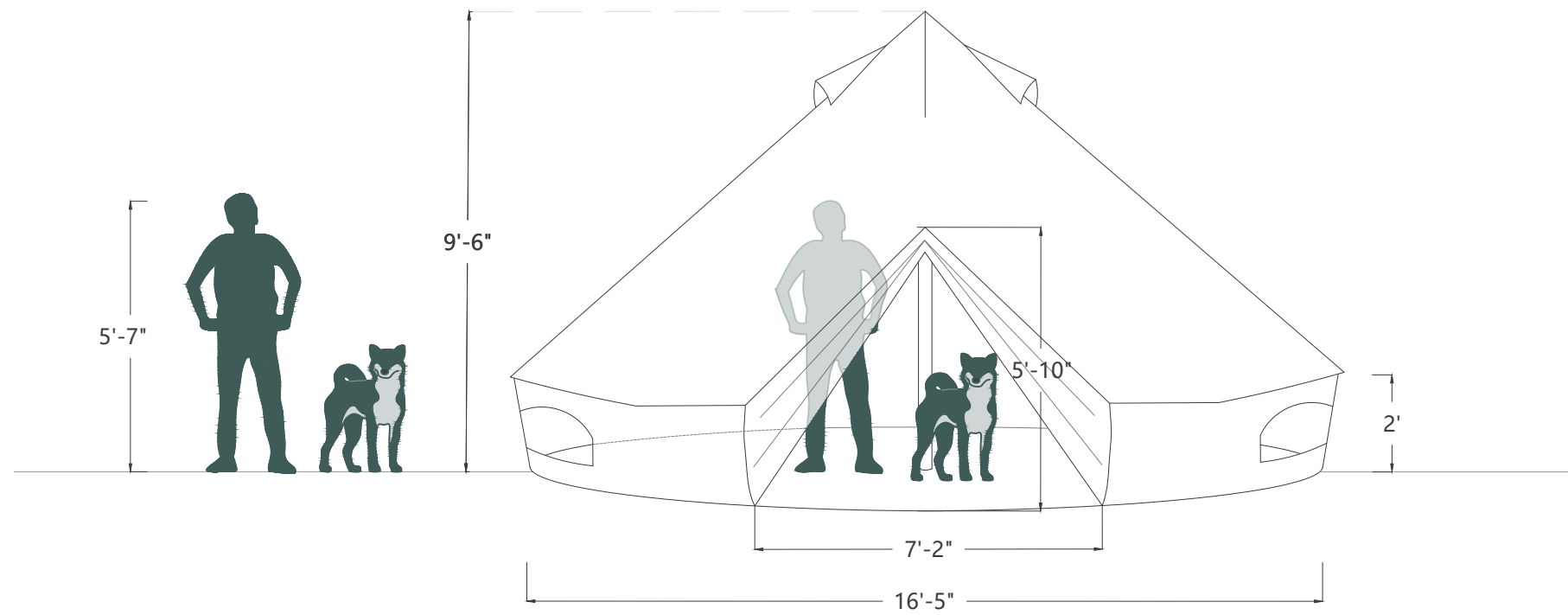
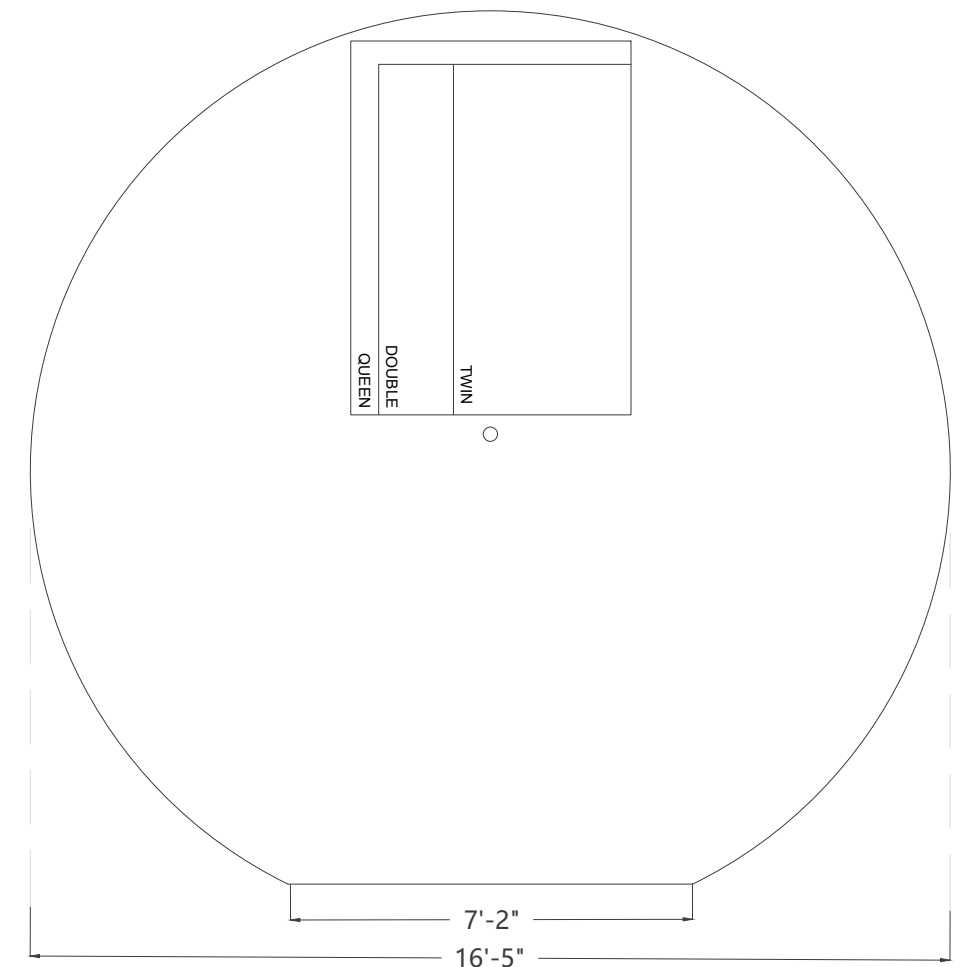


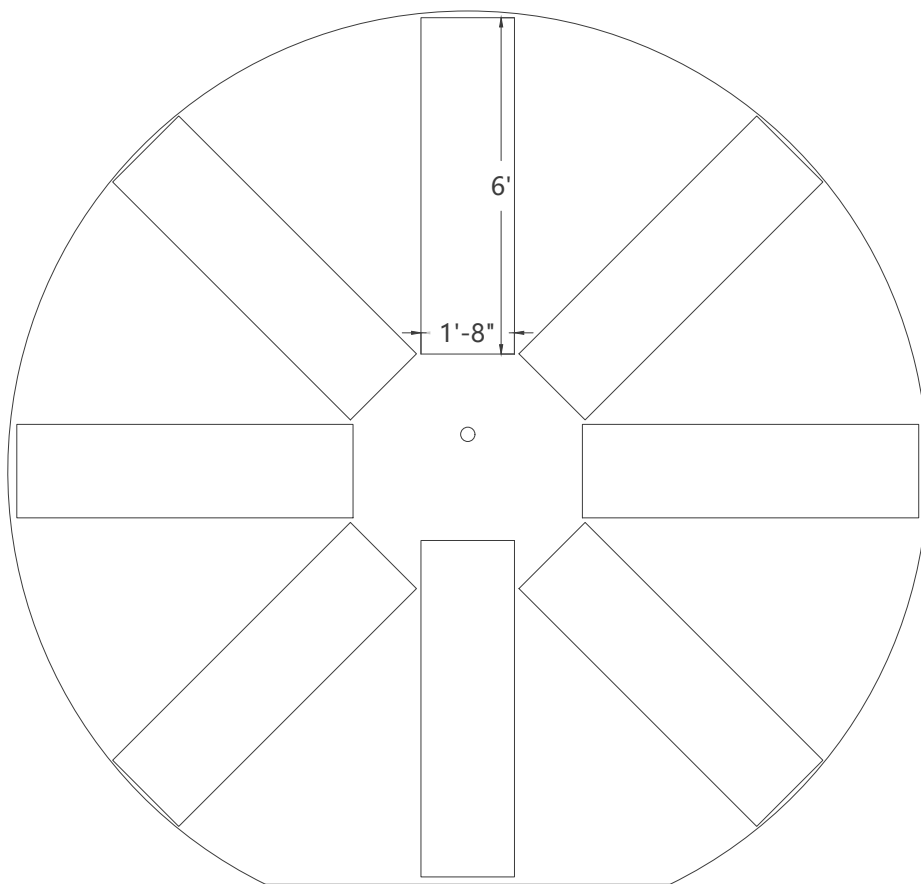
Floor Area - 210 sq ft



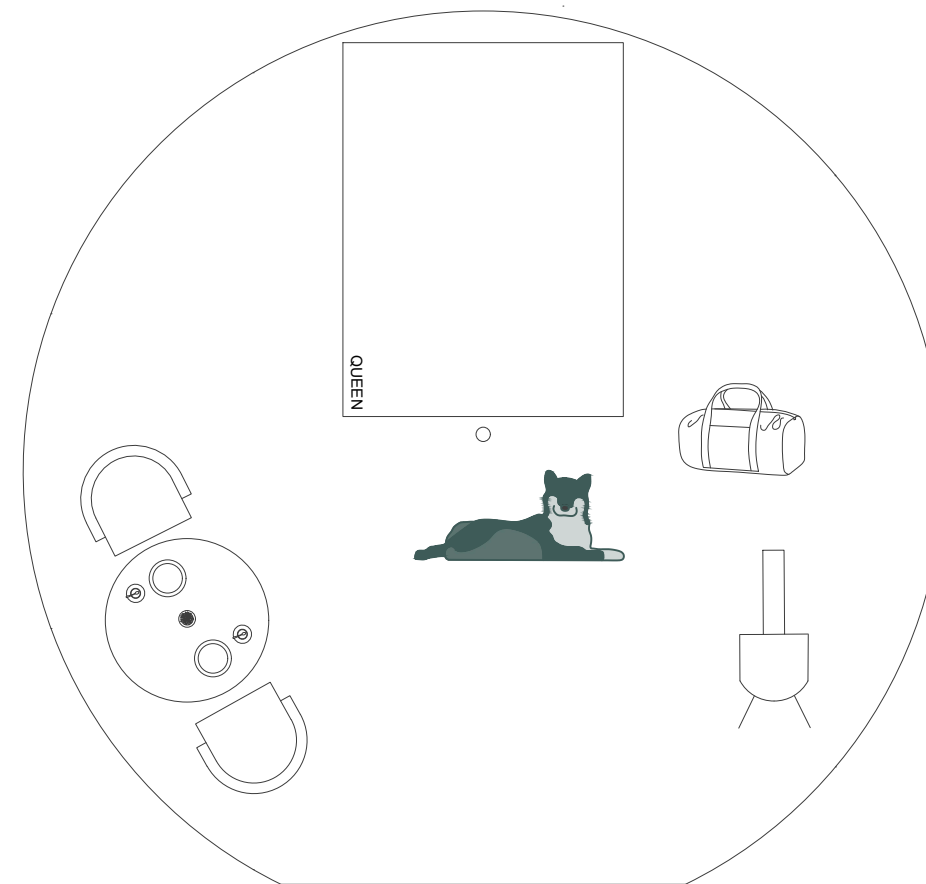
3D VIEW



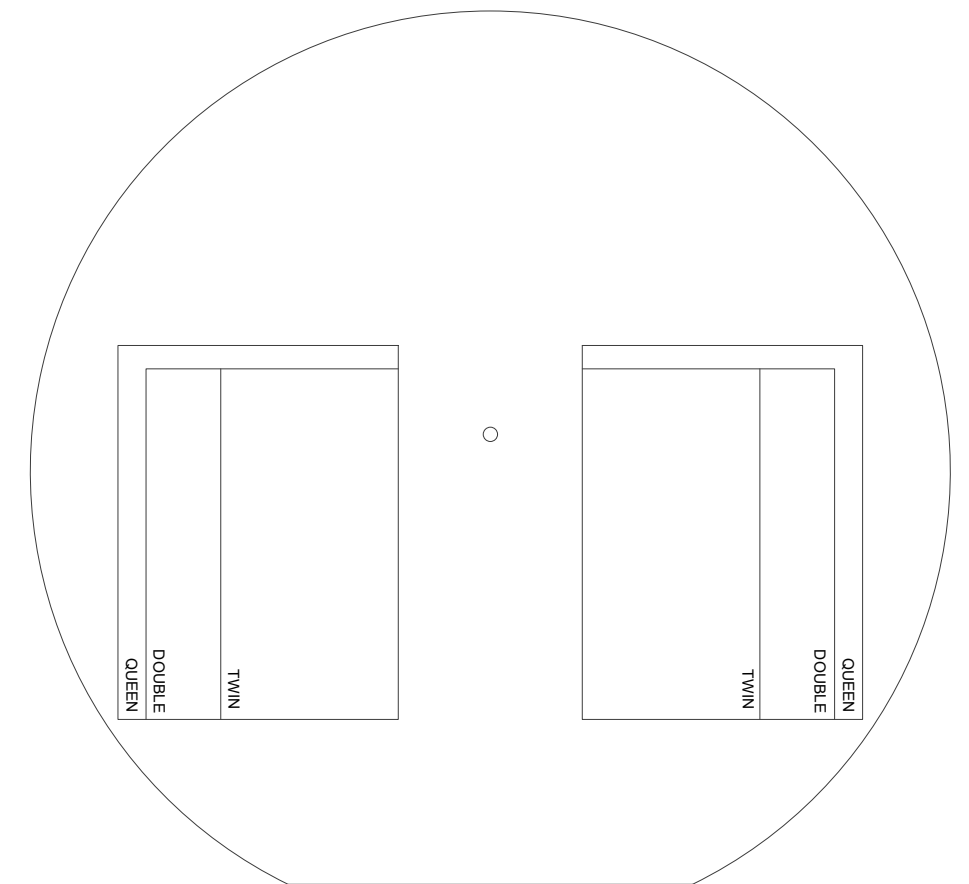
PLAN 1



PLAN 2



PLAN 3



PLAN 4

NOTE - KING - 6'2" X 7'3"  
 QUEEN - 5'0" X 6'8"  
 DOUBLE - 4'6" X 6'2"  
 TWIN - 3'2" X 6'2"

DWG NO.

04 - 500

A3

SCALE:1:1

SHEET 4 OF 8