



sales@allsportsystems.com

877-847-1280

www.allsportsystems.com

SkyRail/SkyRail XL™ Sliding Projector Mount INSTALLATION GUIDE



TABLE OF CONTENTS

What's Included - Parts and Hardware	3
SkyRail™ ASSEMBLY	4
STEP 1 - Create Ceiling Mounting Holes	4
STEP 2 - Attach Bracket to SkyRail™	4
STEP 3 - Mount SkyRail™ to Ceiling	5
STEP 4 - Attach Bracket to Projector	6
STEP 5 - Hang Projector	7
Need Help?	7

What's Included - Parts and Hardware

The following items are included in the SkyRail™:

- 1 ea. - SkyRail™ Frame
- 1 ea. - Surface Plate
- 1 ea. - Universal Projector Mount

3 Total pieces + connecting hardware.

The following items are included in the SkyRail XL™:

- 1 ea. - Spacing Frame
- 1 ea. - SkyRail XL™ Frame
- 1 ea. - Surface Plate
- 1 ea. - Universal Projector Mount

4 Total pieces + connecting hardware.

Find Position for your projector

To confirm the mounting position and proper enclosure configuration follow the three steps below.

- (1) **Find your projectors throw distance using the chart below.** If you have a custom sized hitting bay or your projector is not listed contact All Sport Systems for assistance. EXAMPLE: 5'10" (highlighted in yellow) is the distance the ULTRASHORT 4:3 projector will mount from the screen for the MiniBay when projecting an image in the 4:3 aspect ratio. Enter your throw distance on the line provided on the following page (paragraph 3).

PROJECTORS	ASPECT RATIO	Screen Width			
		10	12	14	16
ULTRASHORT-HD-1080P (Optoma GT1080 Darbee)	4:3	6'2"	7'6"	8'10"	10'2"
	16:9	4'8"	5'8"	6'8"	7'8"
ULTRASHORT-4.3 (Optoma X305ST)	4:3	5'10"	7'1"	8'4"	9'7"
	16:9	5'10"	7'1"	8'4"	9'7"
ULTRASHORT-HD-720P-OC (Viewsonic PJD6552LWS)	4:3	5'5"	6'8"	7'10"	8'12"
	16:10	4'6"	5'6"	6'6"	7'6"
ULTRASHORT-HD-ZOOM (BENQ HT12150ST)	4:3	9'4"	11'5"	13'5"	15'5"
	16:9	7'0"	8'7"	10'1"	11'7"

- (2) **Confirm your throw distance is in range** for the depth of your hitting enclosure. If your projectors throw is greater than the ranges shown below for your enclosure depth, it will be necessary to adjust the projector selection and/or increase the depth of your enclosure. **EXAMPLE:** The 5'10" throw in our above example means the enclosure must be 5' or 6' feet deep. Whereas the a 7'8" throw (ULTRASHORT-HD-1080P projector, 16:9, 16' Wide Superbay) requires a 6' to 8' deep enclosure.

Enclosure Depth	Throw Distance Range
5 Feet	4'0" to 6'10"
6 Feet	5' to 7'10"
7 Feet	6' to 8'10"
8 Feet	7' to 9'10"
9 Feet	8' to 10'10"
10 feet	9' to 11'11"

- (3) **Find the distance your projector will need to be placed outside your enclosure.** To determine this distance, first determine the distance from the screen to the front of your enclosure. The screen for the BudgetBay/SuperBay is hung approximately 12” from the back of the enclosure. Thus the screen hangs 4’ from the front of a 5’ deep enclosure or 5’ from a 6’ deep enclosure, etc. Subtract this distance from the projectors throw distance.
EXAMPLE: Using the throw distance of 5’10” for a 5 deep MiniBay, the projector will be 1’10” outside the enclosure. (i.e. 5’10’ - 4’ = 1’10”)

Enter projector throw distance: _____ a See Par. 1 above

Enter enclosure depth minus 12” : _____ b For 5’0” deep enclosure enter 4’0”
For 8’0” deep enter 7’0”, etc.

Subtract line b from a: _____ This is the distance from front of enclosure to projector

SkyRail/SkyRail XL™ ASSEMBLY

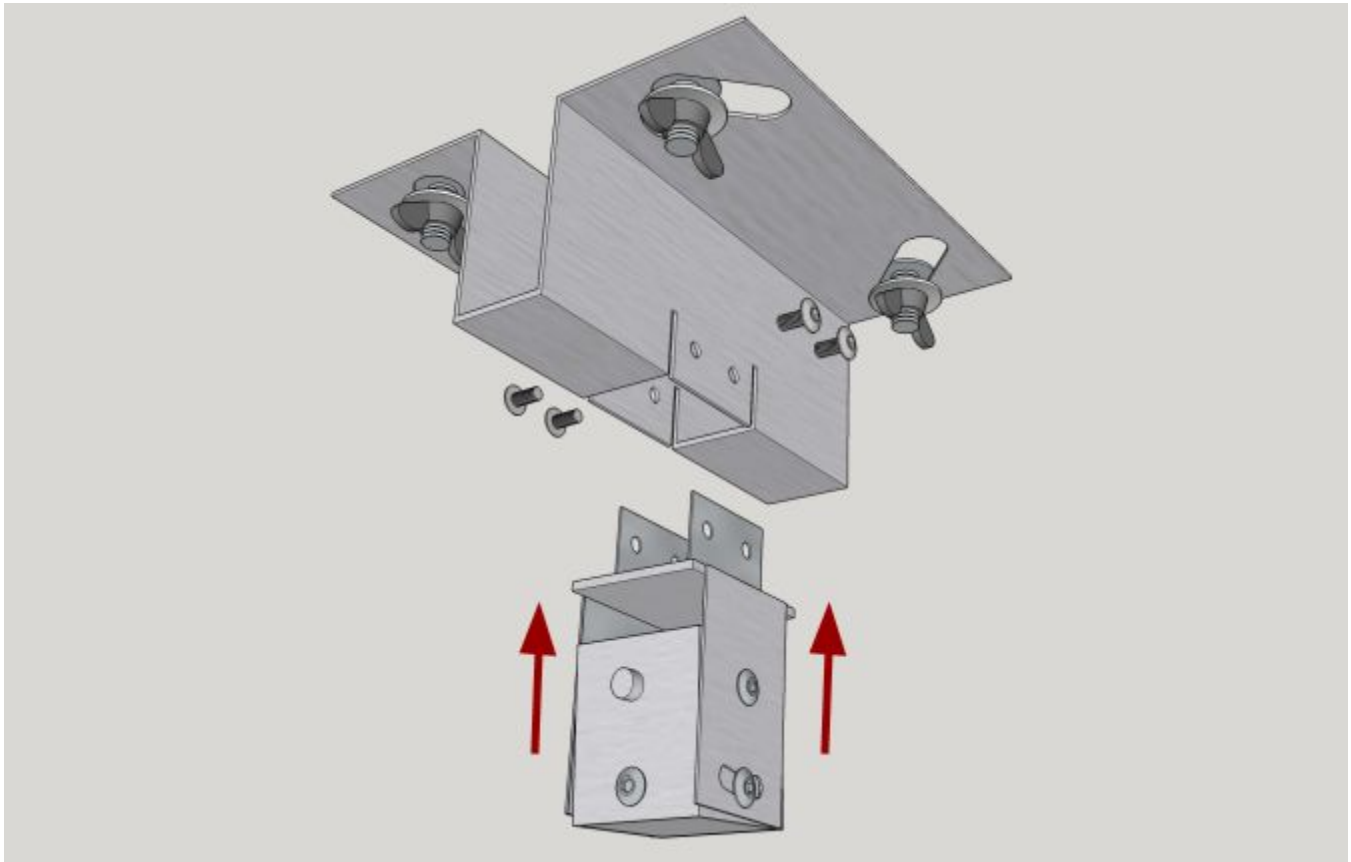
STEP 1 - Create Ceiling Mounting Holes

Use the SkyRail™/SkyRail XL™ Frame to mark and create holes in your ceiling, center of your impact screen and properly distanced from your impact screen.

For SkyRail XL™: Use the SkyRail XL™ Frame to mark and create holes in your ceiling, center of your impact screen and properly distanced from your impact screen.

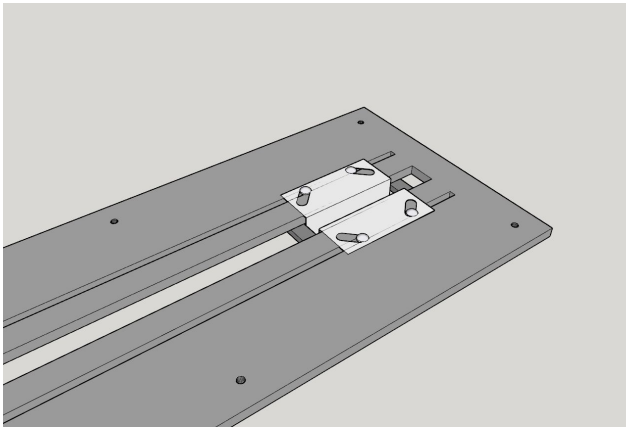
STEP 2 - Attach Bracket to SkyRail™/SkyRail XL™

This step involves placing the mounting hardware on the SkyRail™/SkyRail XL™. First, attach the CUBED Bracket to the HANGING Bracket.

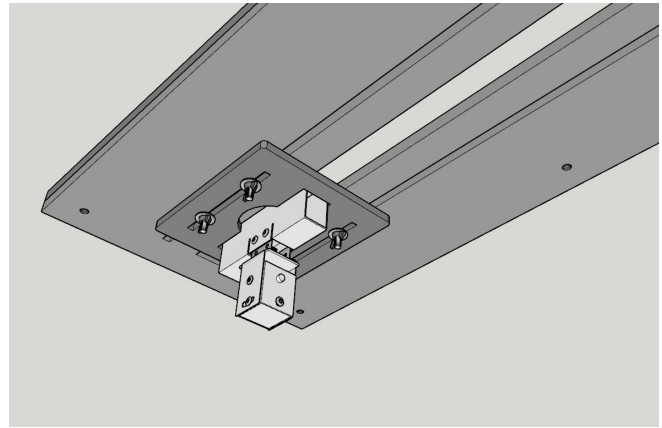


Next Insert and attach the HANGING bracket to the SkyRail™/SkyRail XL™. Drop the bracket through the slots of the FRAME. Next, drop the 4 carriage bolts through the 4 angled holes of the HANGING bracket, all the way through to the SURFACE PLATE. Attach using wing nuts and washers. Leave wing nuts loose enough so that the bracket can slide in the slots.

Viewed from above



Viewed from below



STEP 3 - Mount SkyRail™ to Ceiling

At this point your FRAME should have the Universal Projector bracket attached and secured with the SURFACE PLATE using 4 bolts with washers and wing nuts. Your FRAME should be turned with the SURFACE PLATE and wing nuts facing downwards. Slide the screw part of the toggle bolt through each of the holes, with the head of the screw facing down. Screw each of the folding toggles onto the screws so that they fold DOWNWARDS.

Begin mounting the SkyRail™ to the ceiling by bringing it near your ceiling and pushing the toggle bolts through the matching holes. Once each toggle bolt is pushed through the holes in your ceiling, gently pull down on each of them to ensure the toggle has opened and is supporting weight.

Once you have confirmed the toggle bolts are supporting the weight, begin tightening them to secure the SkyRail™ to the ceiling.



STEP 4 - Attach Bracket to Projector

Note: Each projector will have different mounting locations and some will have 4 mounting holes others only 3.

Locate the mounting bracket. Determine the number of mounting locations available on your projector. Some projectors have 4 holes others have only 3. If there are only 3 mounting holes then you can remove one of the arms from the mounting bracket. Shown to the left is the bracket with one of the arms removed.

Use plastic spacers and washers between projector and feet.

Install feet to the bottom of the projector using the provided screws. **Do not** over tighten. There are extra screws with varied of sizes.

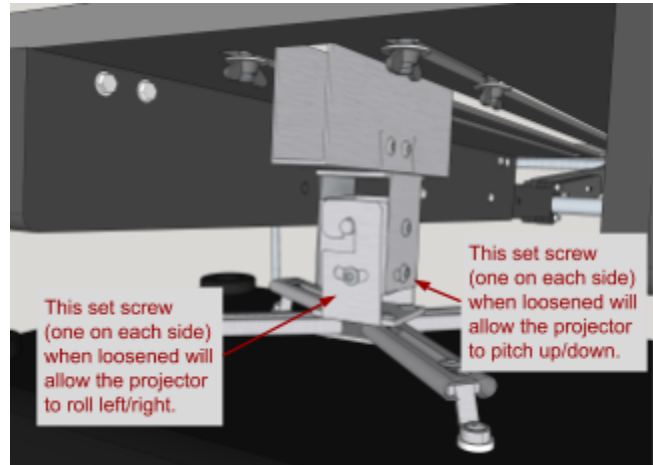
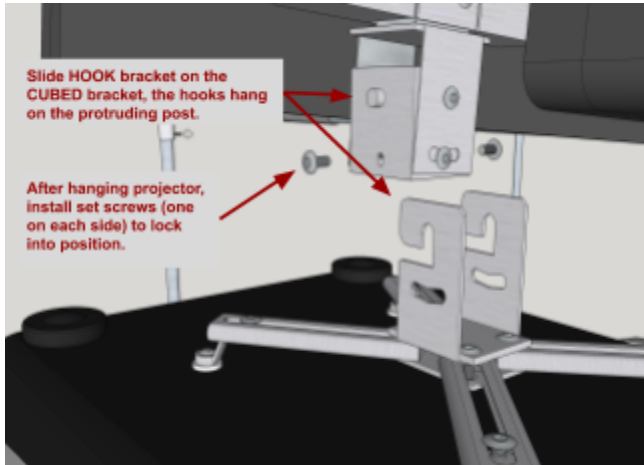
Slide each arm of the Mounting Bracket onto the feet already attached to the bottom of the projector. Initially keep the screws loose to allow the arms and mount move freely until you locate the center of balance position for the mount.

When positioned correctly the projector will hang level when suspended from the hooks on the mount. Once proper position is obtained tighten screws. **Do not** over tighten.



STEP 5 - Hang Projector

Slide bracket on to CUBED bracket, and install set screws to lock-in projector. Note that bracket allows rolling left/right and pitching up/down in order to level projector.



Slide the projector forward/backward on the SkyRail™ to position projector correct distance from the screen for optimal sized image. Tighten wing nuts to secure position.

Need Help?

Having trouble positioning your projector? As noted under [Find SkyRail™ Position for your projector](#) the SkyRail™ can be configured in a number of positions for optimal projector placement. If you have questions or need assistance don't hesitate to contact us.

All Sport Systems, Inc.
Sales/Support 877-847-1280
Email: sales@allsportsystems.com