

SkyRail Plus Projector Mount Installation Guide



SkyRailPlus™ Parts List

SkyRailPlus Projector Mount

- 1 x



- 8 x



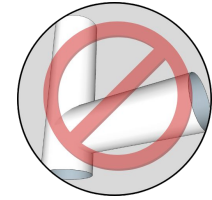
2 x SkyBridge kits

The **SkyBridge™ Span Bracket Assembly Guide** will show all parts included in each SkyBridge kit and how to assemble the SkyBridge.

See [SkyBridge Setup Guide](#)

SuperBay CAGE MODIFICATIONS

- 2 x 90° Connectors instead of 3-Ways
- No T-Connectors
- Install 2 x SkyBridge (replaces 2 x EMT width poles)
- ⚠ space strut 48" apart (channels facing inward)



Unistrut channels
facing inward

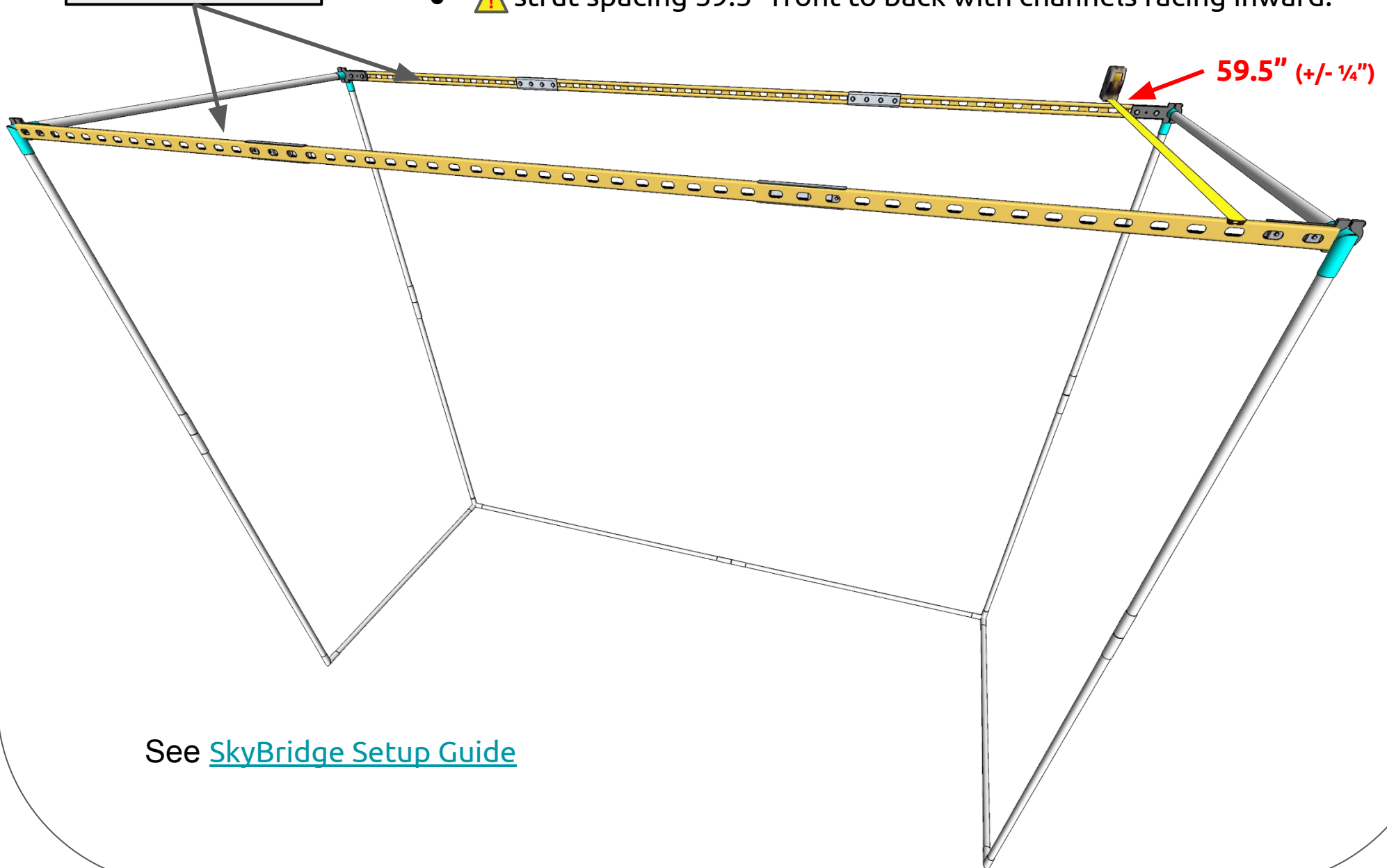
48" between
struts

See [SkyBridge Setup Guide](#)

DIY Bay CAGE MODIFICATIONS

Unistrut channels
facing inward

- 4 x 90° Connectors instead of 3-Ways (cage top)
- Install 2 x SkyBridge (replaces 2 x EMT width poles)
- ⚠ strut spacing 59.5" front to back with channels facing inward.

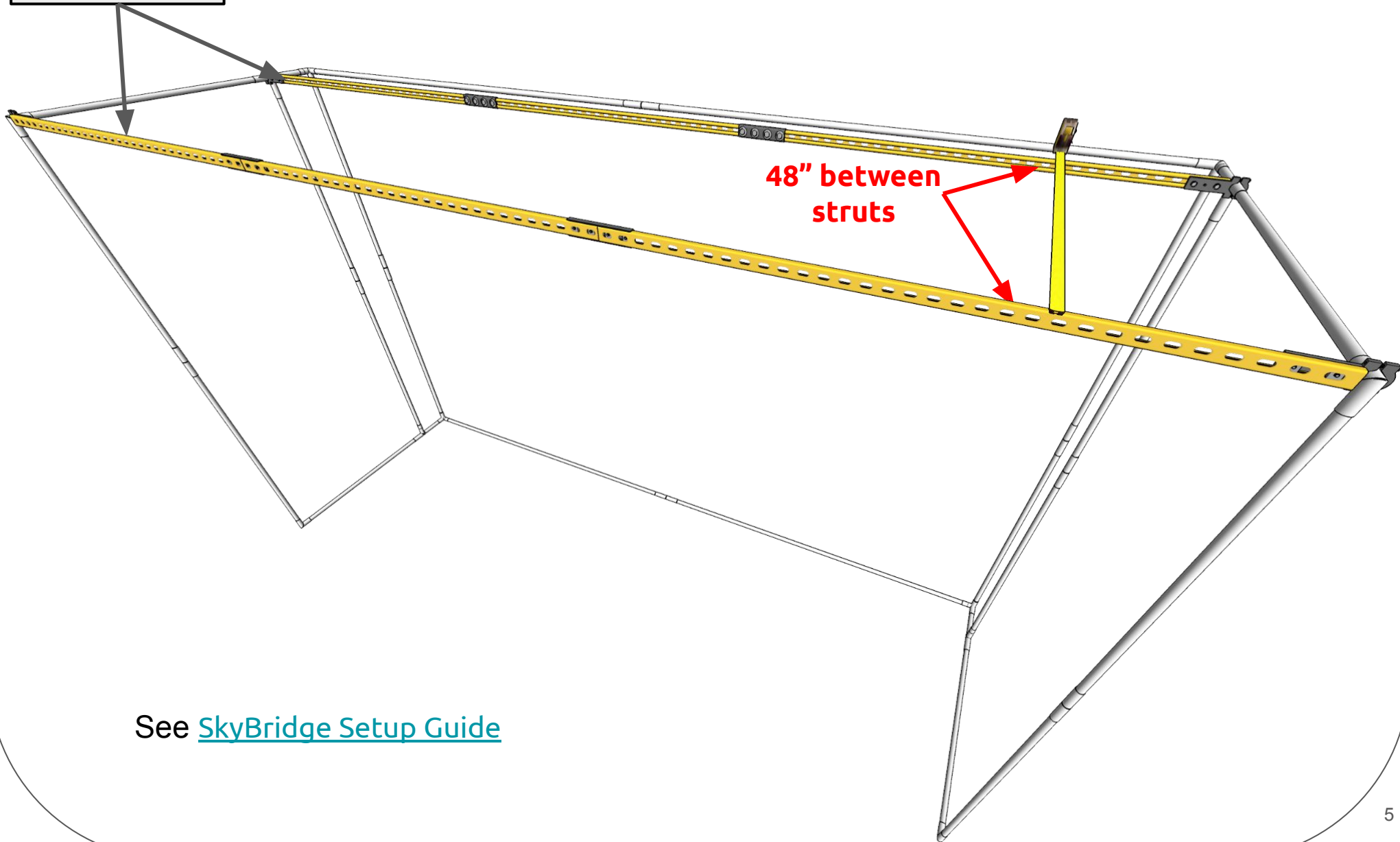


See [SkyBridge Setup Guide](#)

StudioBay CAGE

- No frame modifications are necessary, SkyBridge is standard on StudioBay!
- ⚠ space struts 48" apart (channels facing inward)

Unistrut channels
facing inward



See [SkyBridge Setup Guide](#)

Watch Video Guide

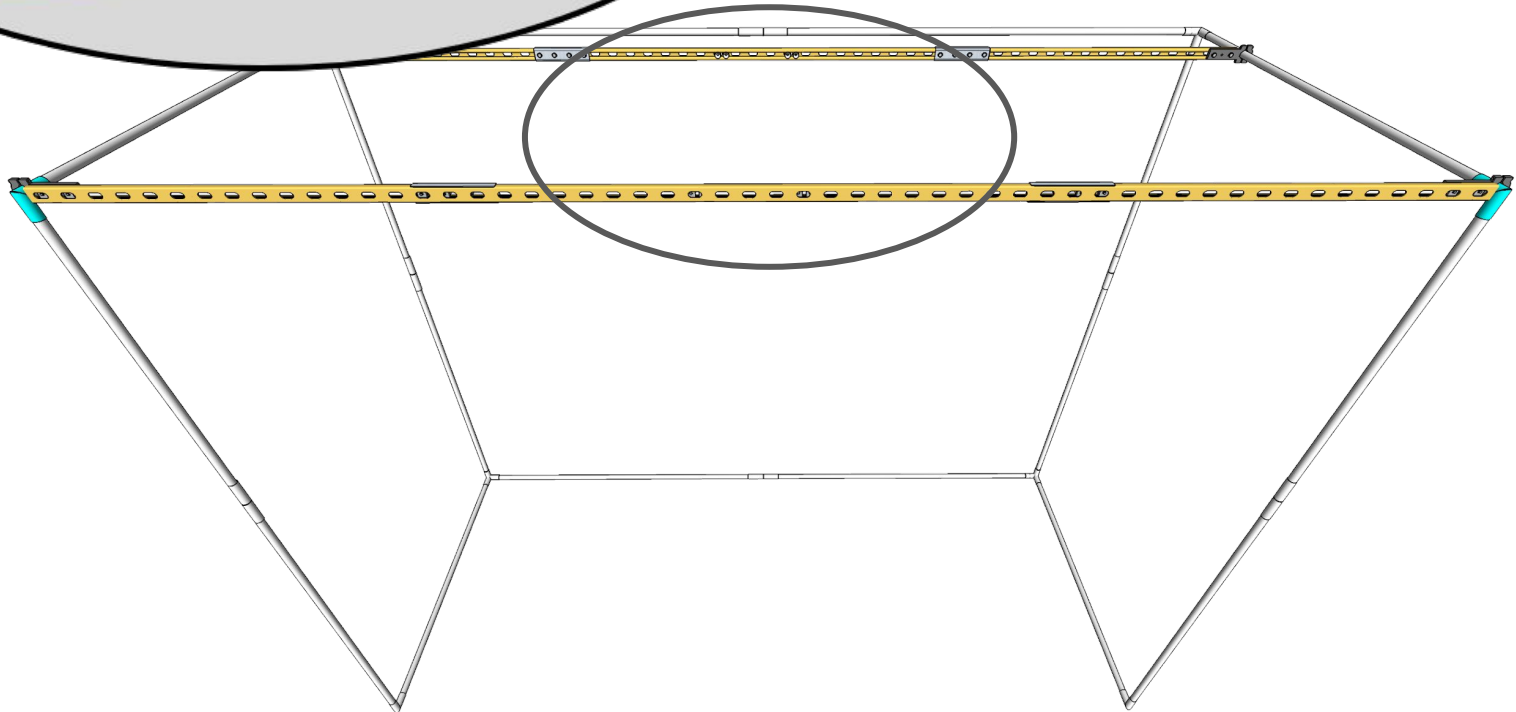
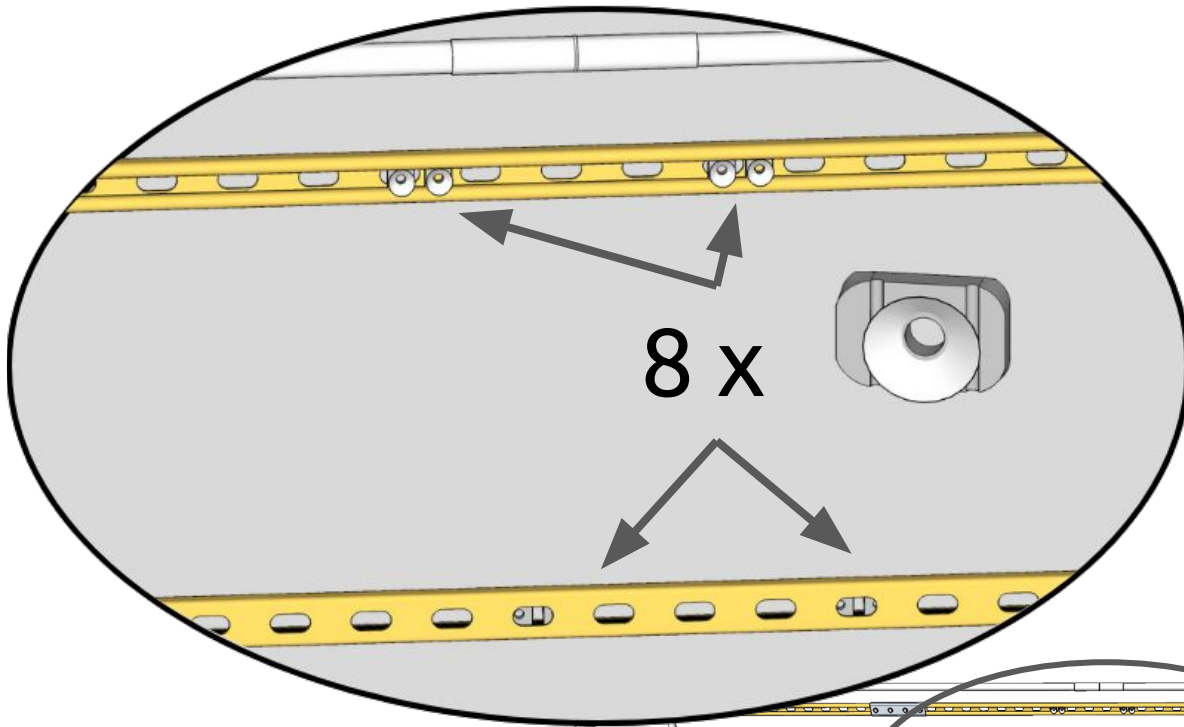
See also this video guide for installation of SkyRailPlus.

<https://youtu.be/sV5fC3ZYyTg>

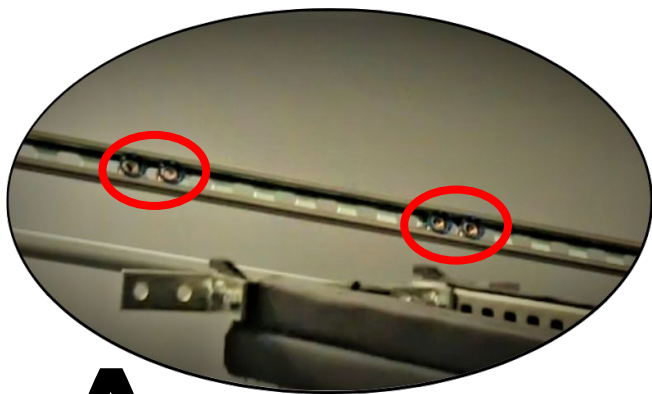


Insert Cone Nuts

- Insert 8 x Cone nuts;
4 x per strut

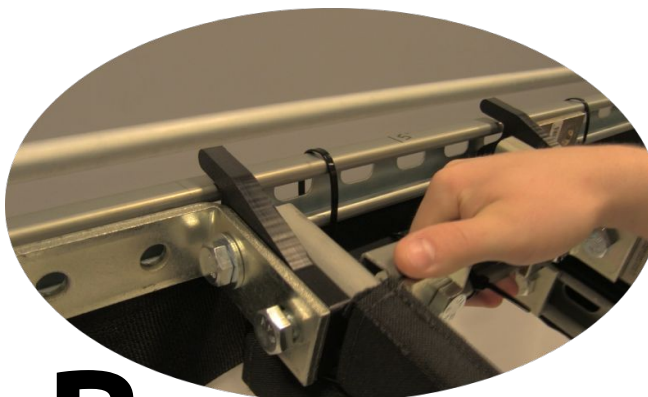


Install SkyRailPlus on cage...



A

Cone nuts should be inserted ([Insert Cone Nuts](#))



B

Hook back of SkyRailPlus to SCREEN unistrut channel



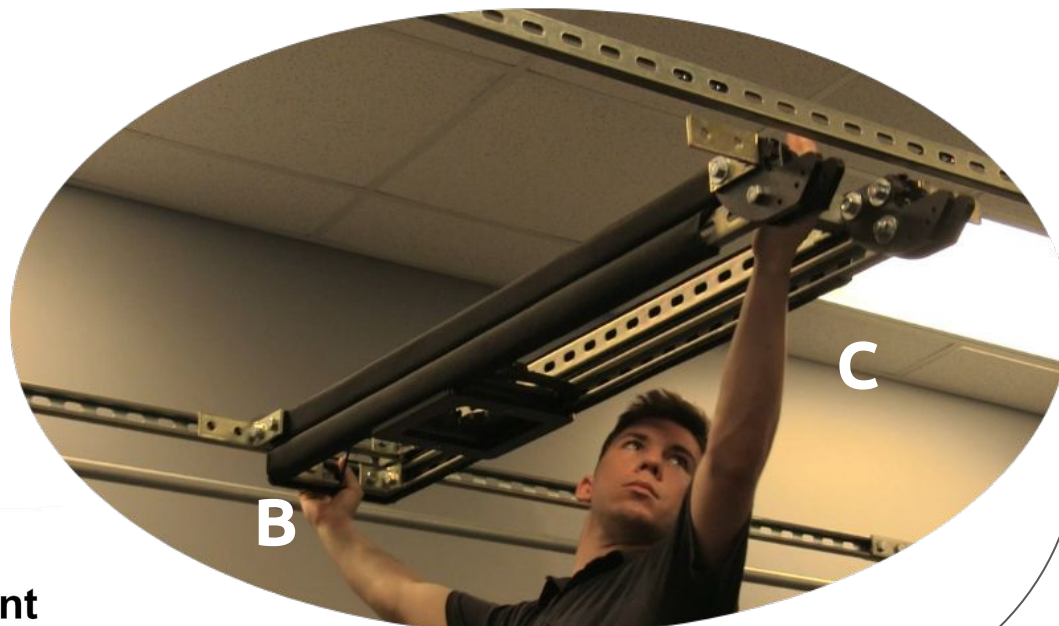
C

Snap front of SkyRailPlus into FRONT unistrut channel

Screen

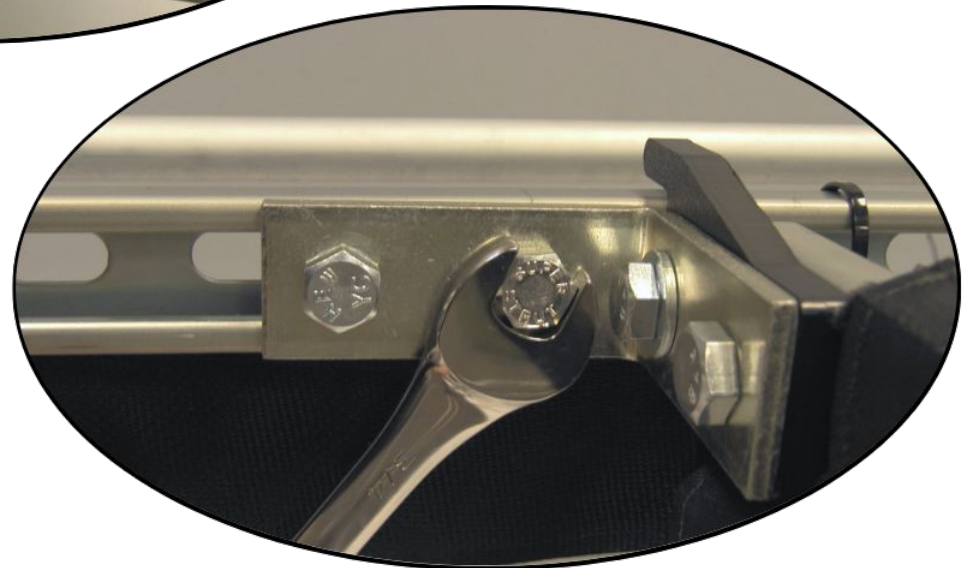
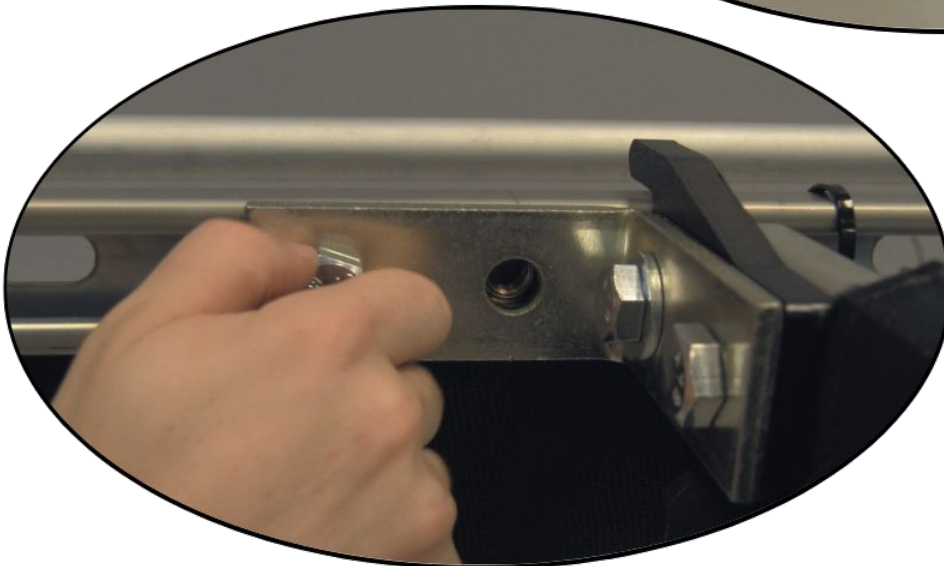
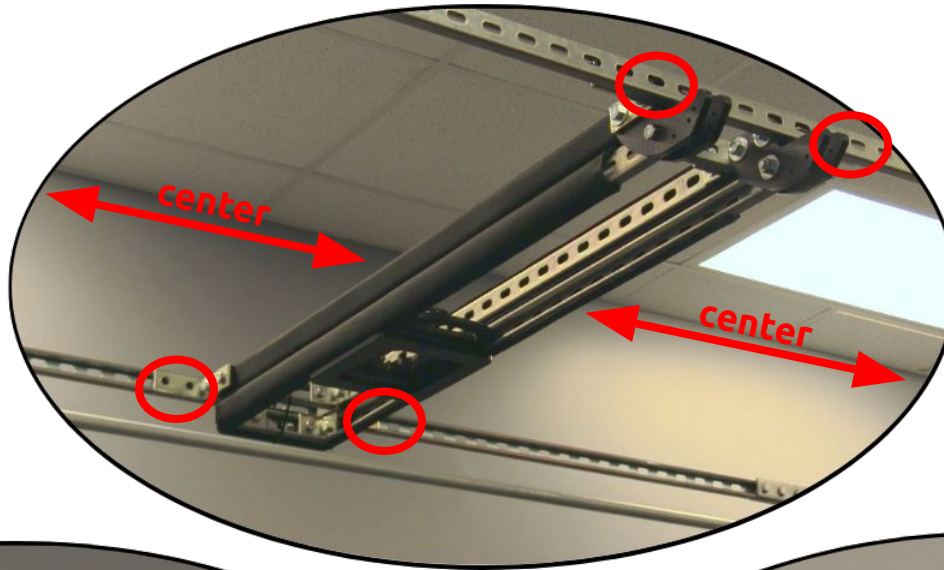


Cage Front



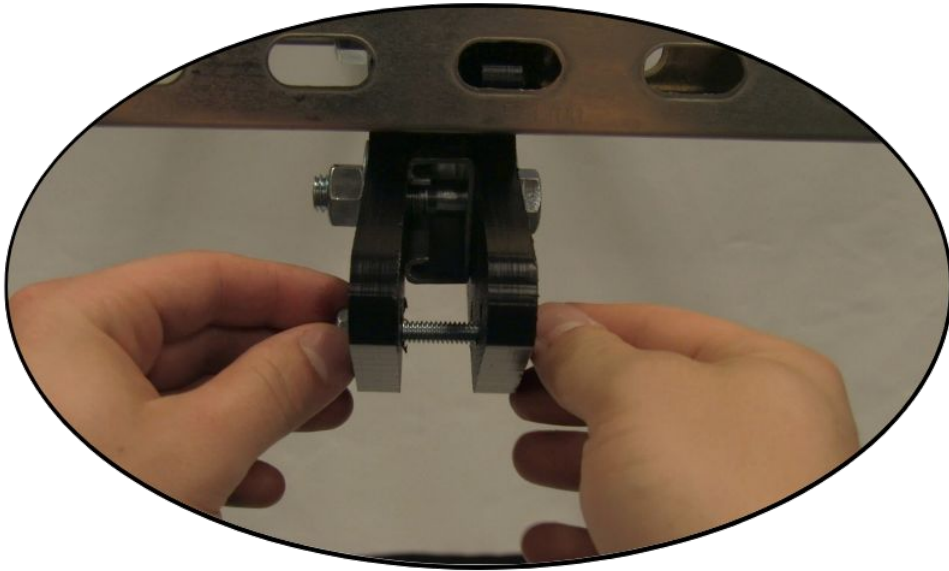
Center SkyRail and Bolt to Cage

- Center the SkyRail in the cage
- 8 X Bolts - Insert and tighten at all four L Brackets to secure SkyRail to cage.

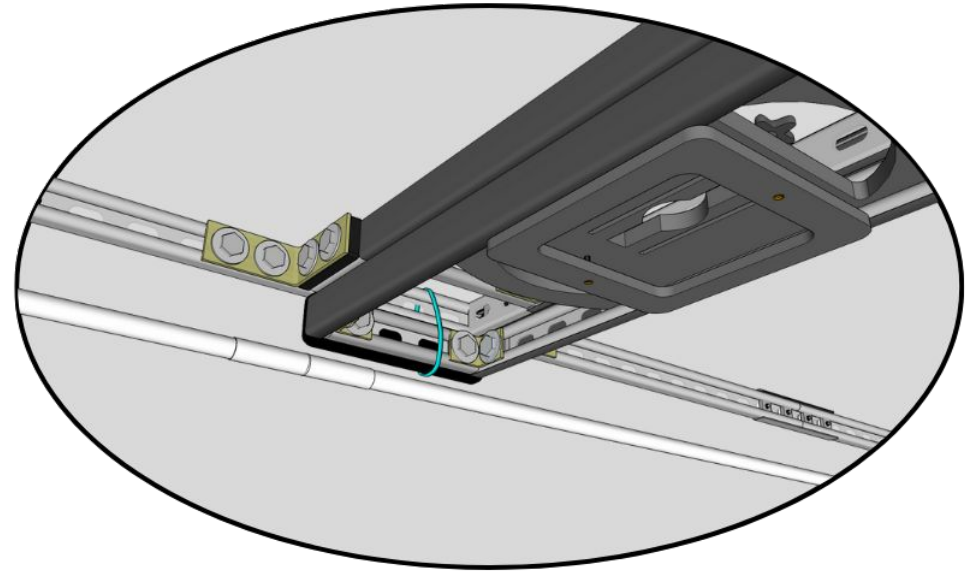


Rotate Arms to front of cage

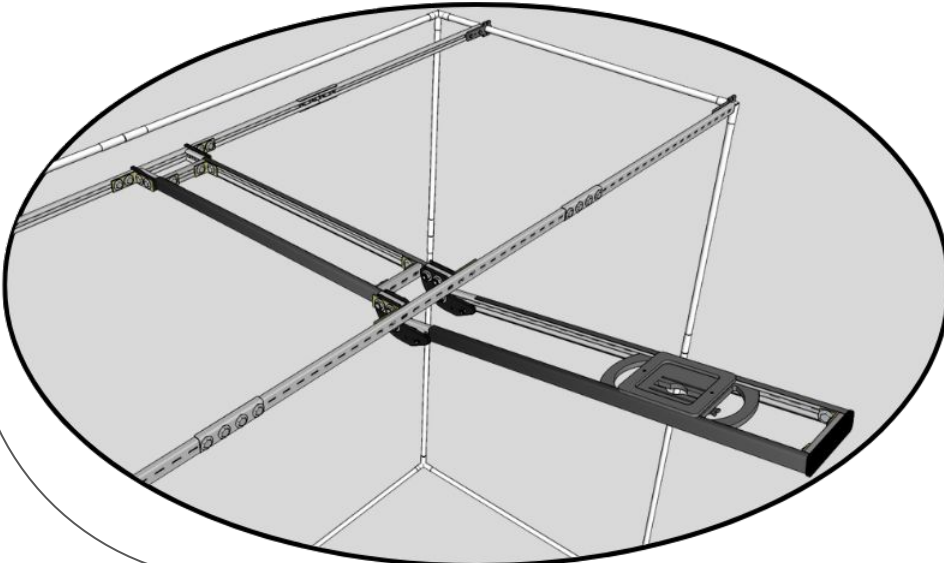
- A. REMOVE Arm Stops on Front of mount



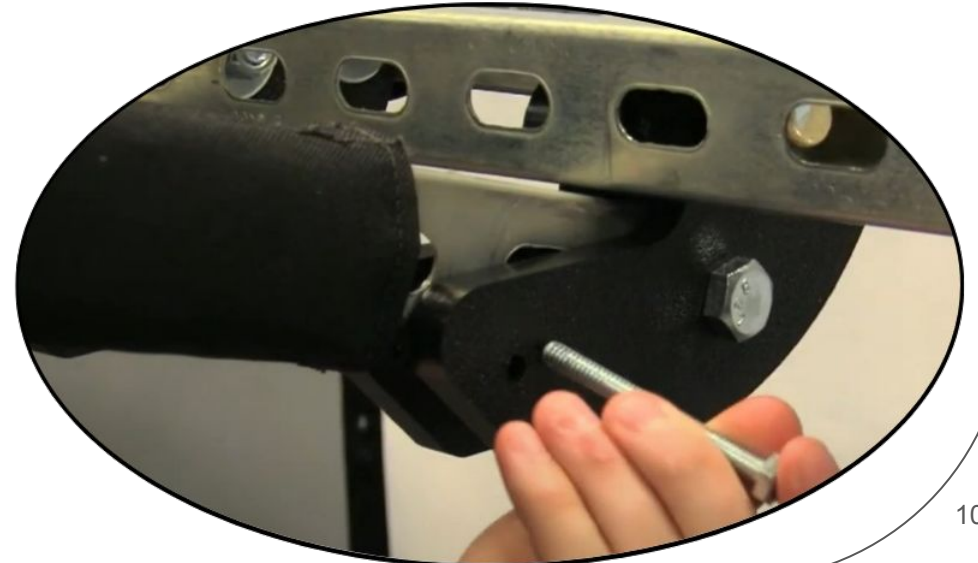
- B. CAREFULLY LOWER projector arms by REMOVING cable tie safety strap on Rear of mount.



- C. SWING projector arms to front of cage

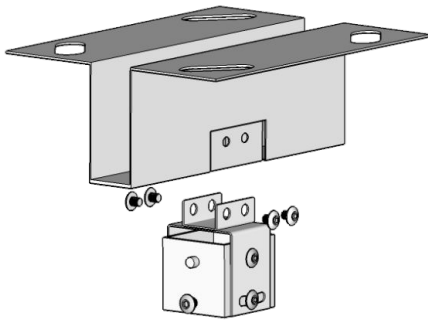


- D. INSERT Arm Stops to position arms at desired angle

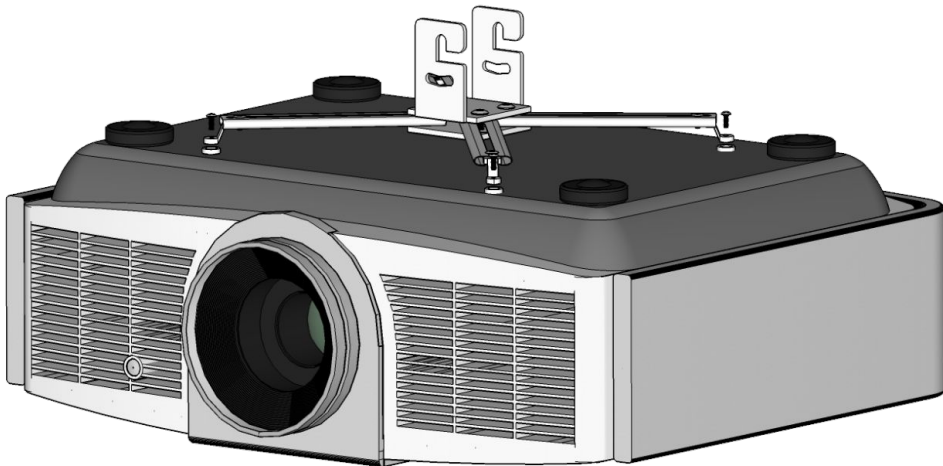


Projector Mounting

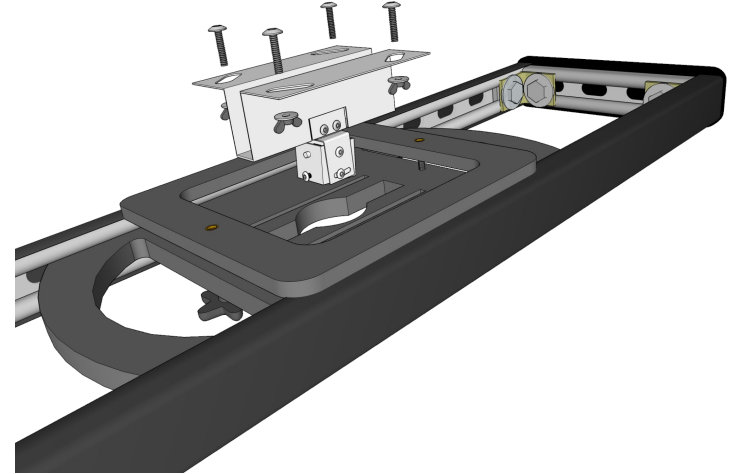
- A. Attach Pivot Bracket to Ceiling Plate



- B. Attach Adapter Bracket to Projector



- C. Install Ceiling Plate



- D. Hang projector on Pivot Bracket



See Universal Projector Mount instructions for additional detail.

Completed Cages



SuperBay

A wire mesh cage with a double-door front. The doors are hinged at the top and are currently open, swinging outwards. The cage is shown from a three-quarter perspective.



DIY Bay

A wire mesh cage with a double-door front. The doors are hinged at the top and are currently closed. The cage is shown from a three-quarter perspective.



StudioBay

A wire mesh cage with a double-door front. The doors are hinged at the top and are currently open, swinging outwards. The cage is shown from a three-quarter perspective.