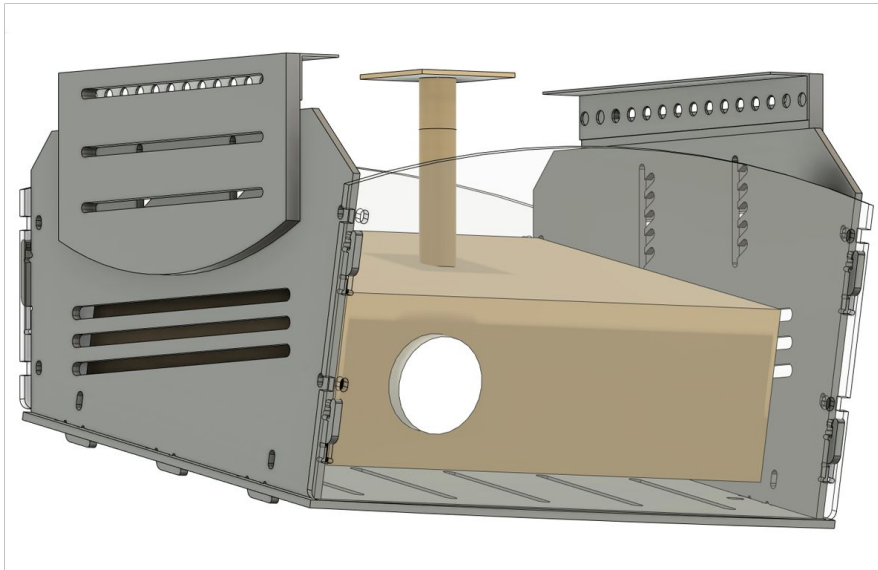


# ProjectorShield™ Installation Guide

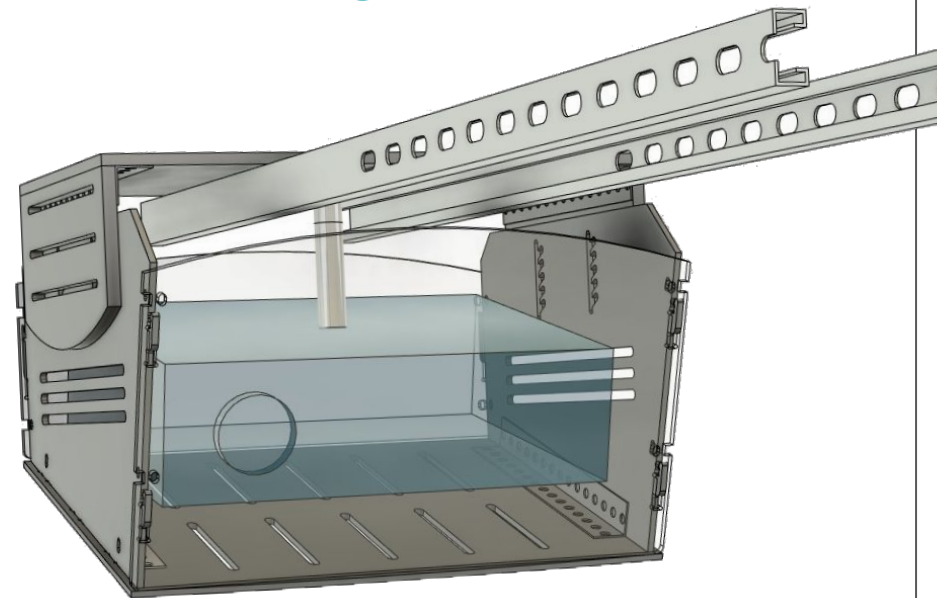
**Ceiling Mount  
instruction begins**

**[Page 3](#)**



**SkyRailPlus™  
instruction begins**

**[Page 14](#)**

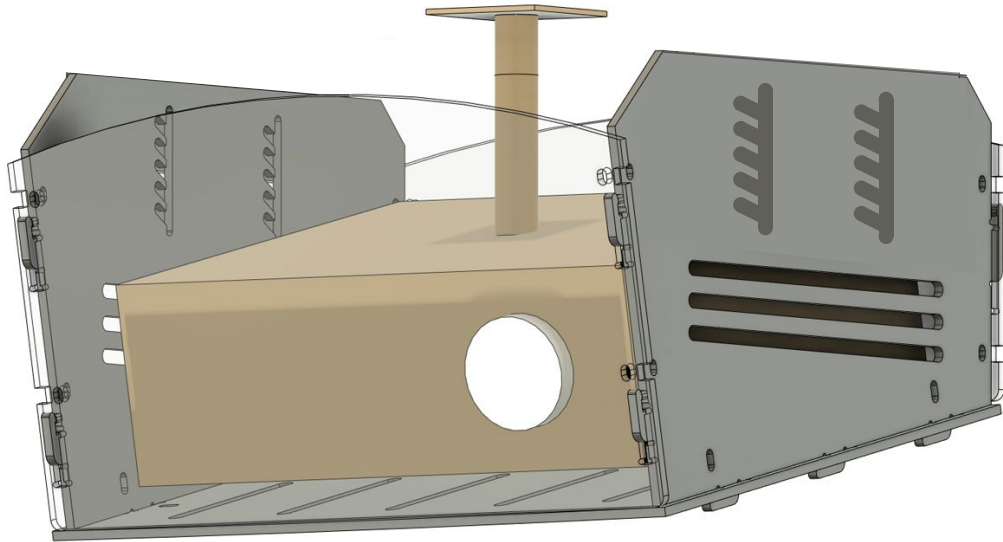


# IMPORTANT WARNING

**USE THIS PRODUCT AT YOUR OWN RISK. NO CLAIM IS MADE AS TO ITS SAFETY, FITNESS, OR RELIABILITY FOR ANY PURPOSE. HITTING GOLF BALLS IN AN INDOOR ENVIRONMENT IS EXTREMELY DANGEROUS! ALWAYS EXERCISE CAUTION WHEN USING YOUR SYSTEM. WE RECOMMEND HITTING 'ALMOST GOLF' BALLS OR SIMILAR LIGHTWEIGHT GOLF BALLS FOR INCREASED SAFETY. NEVER SWING A GOLF CLUB IN CLOSE PROXIMITY TO PETS OR PEOPLE. ALWAYS STAND AS CLOSE AS POSSIBLE TO THE HITTING BAY TO MINIMIZE THE RISK OF STRAY SHOTS FLYING OUTSIDE THE ENCLOSURE. NEVER ALLOW ANYONE TO STAND IN FRONT OF YOU, OR ON EITHER SIDE OF THE ENCLOSURE WHILE YOU ARE HITTING!**

# Parts List

## 1X Projector Shield



## 2x Mounting Brackets



## 1x Guide Template



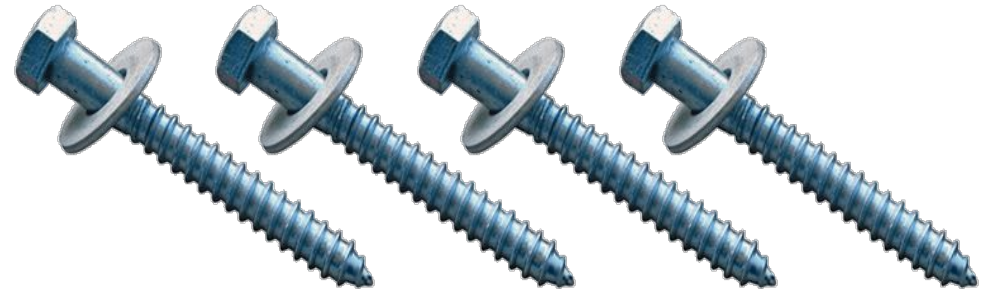
# Included Hardware

## Ceiling Mounting:

4X butterfly bolts with washers

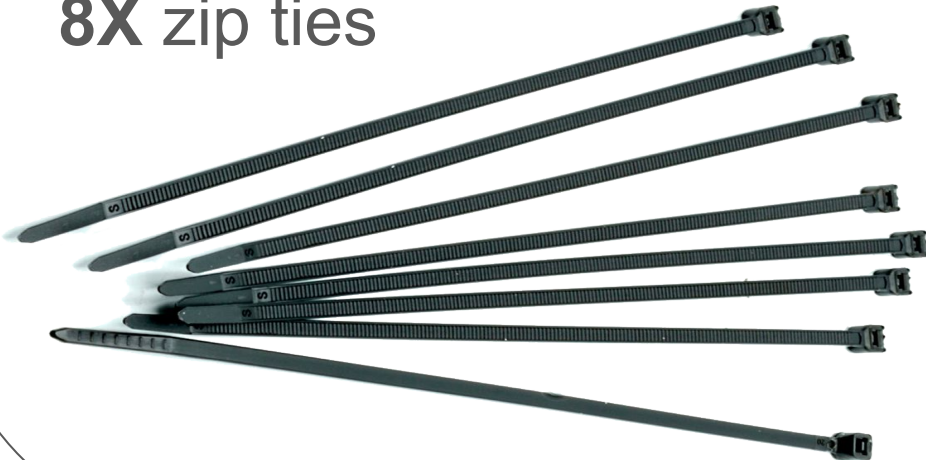


4X 3" lag bolts with washers



## Clear Panel Safety Straps:

8X zip ties



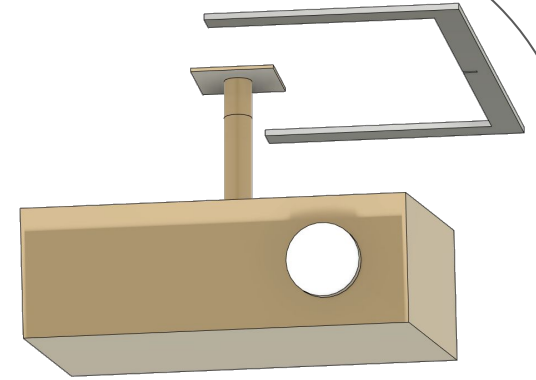
## Shield Mounting:

4X 1.25" bolts 4X nuts,  
8X 1/4" fender washers

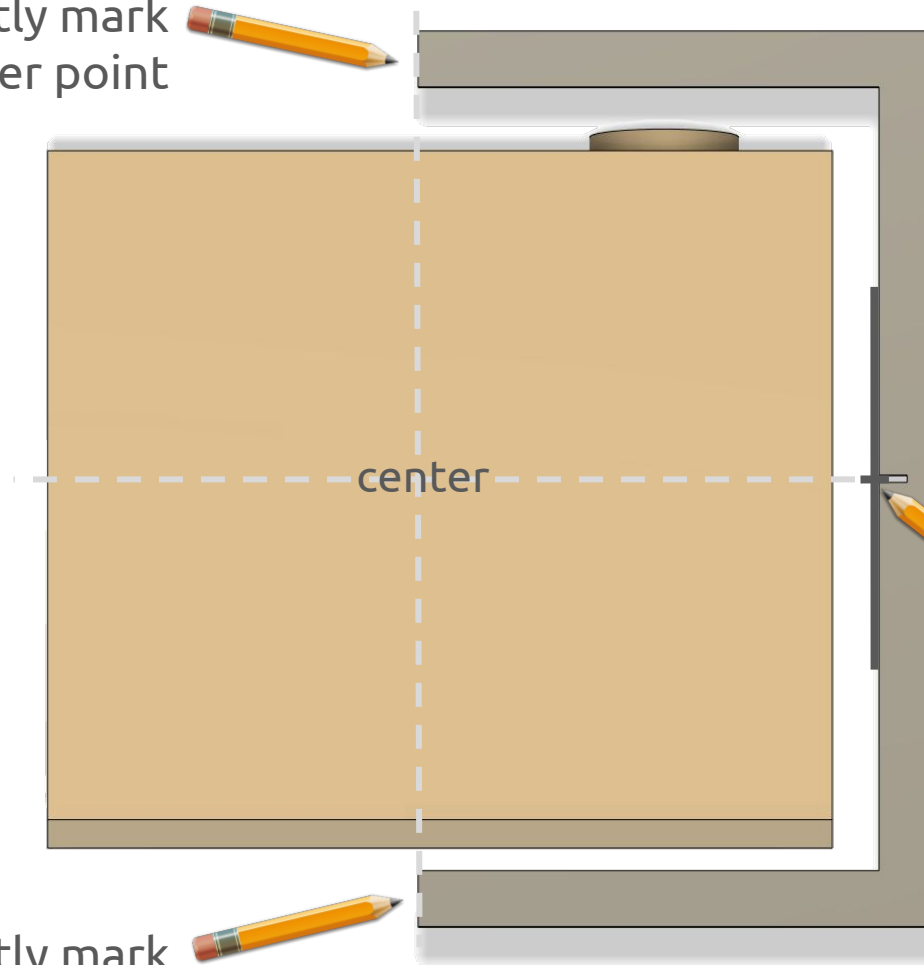


# Step 1

Using the Template Guide, center the guide relative to the projector (not ceiling mount) and strike a line on the ceiling along with the center point.



Faintly mark  
center point

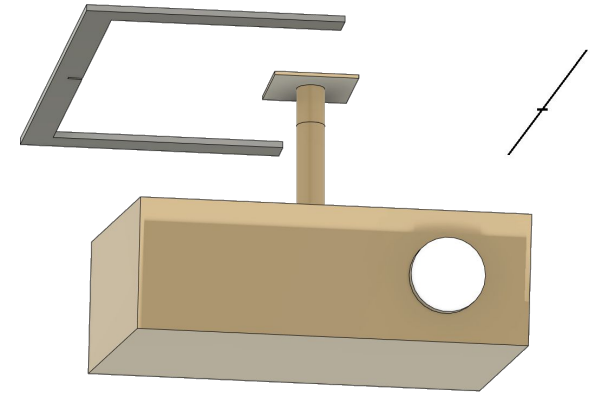


Strike line on ceiling  
along inside edge of  
guide, marking  
center point

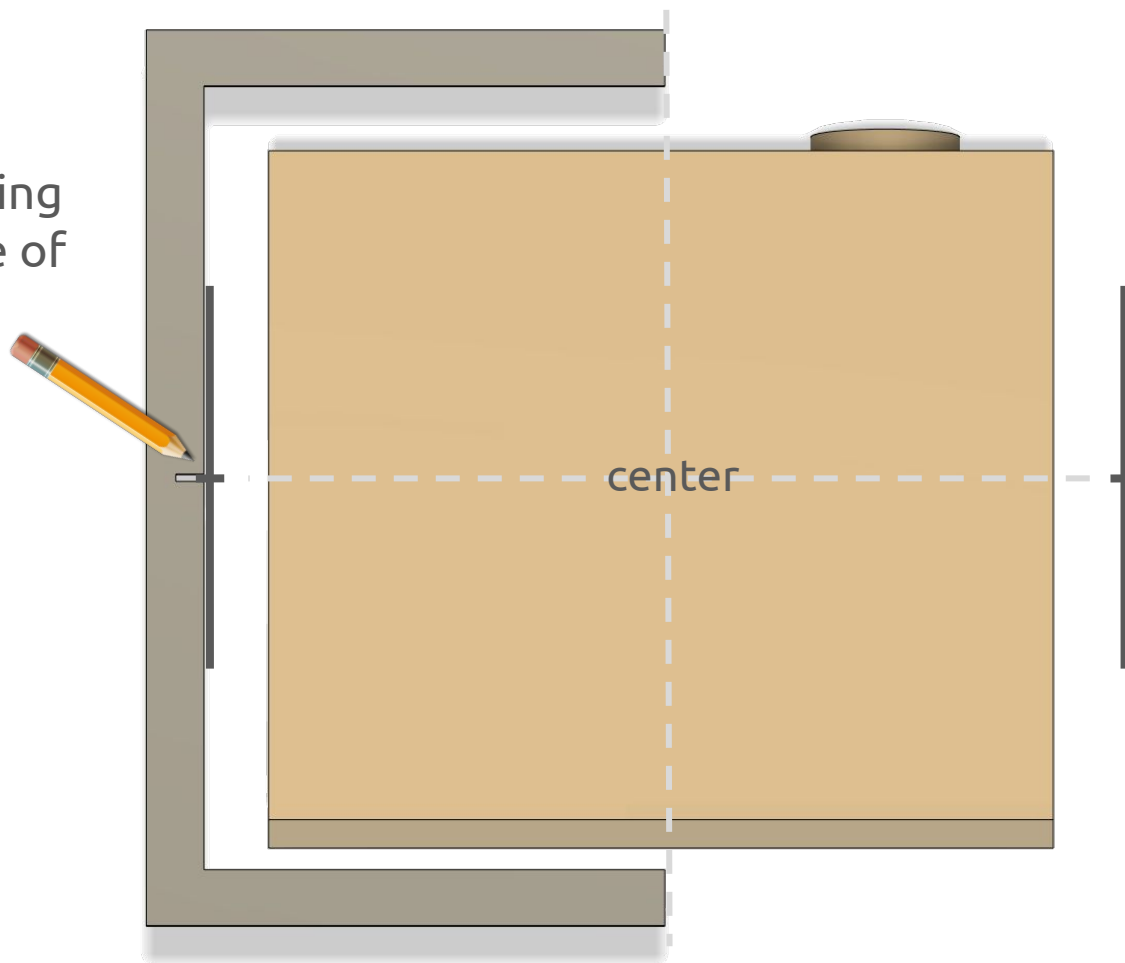
Faintly mark  
center point

# Step 2

Rotate the guide to the opposite side and align with the faint marks you made on center to position the guide the proper distance for the second angle bracket

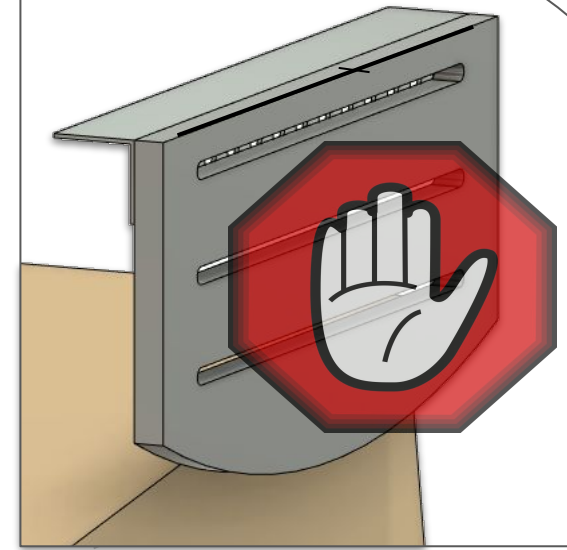
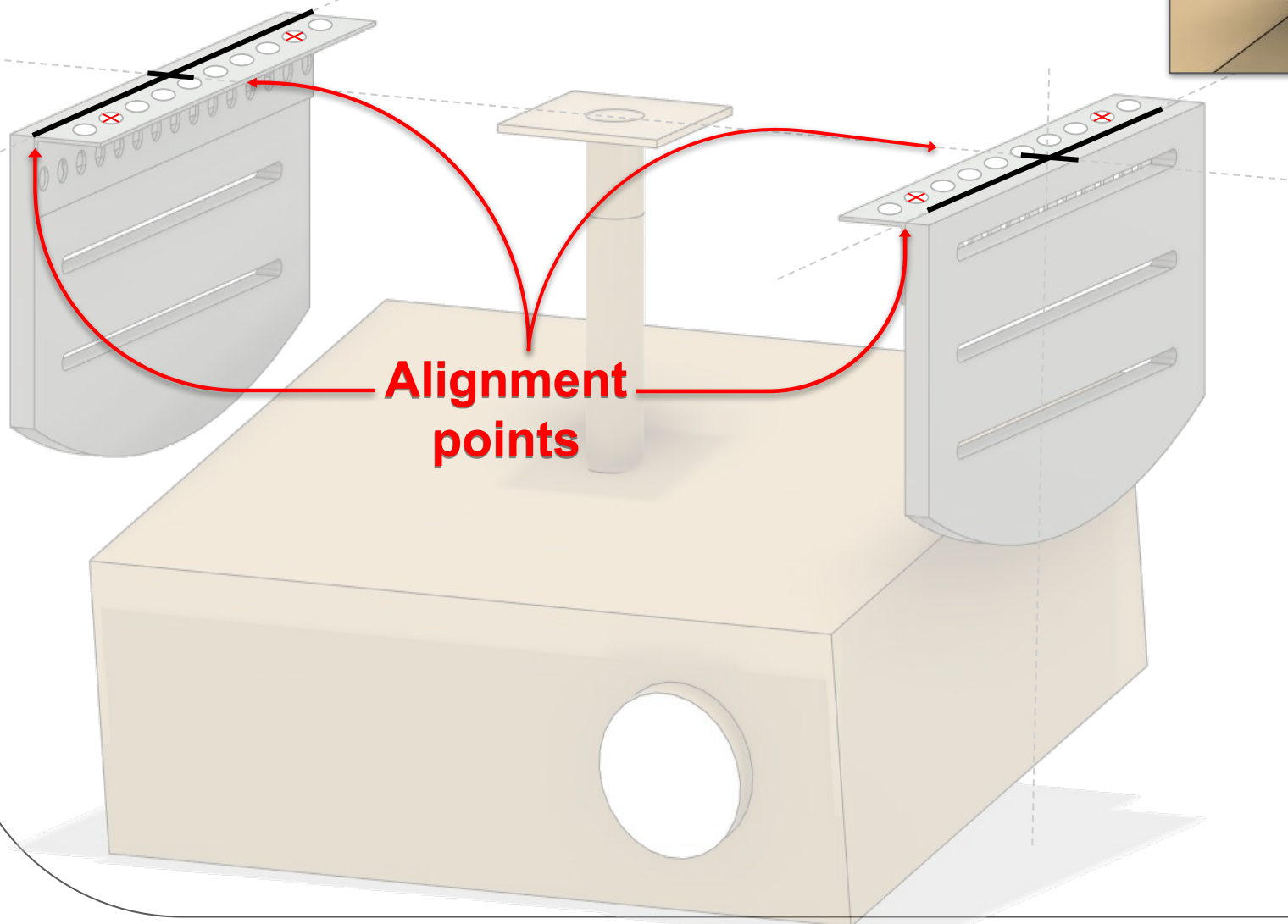


Strike line on ceiling along inside edge of guide, marking center point



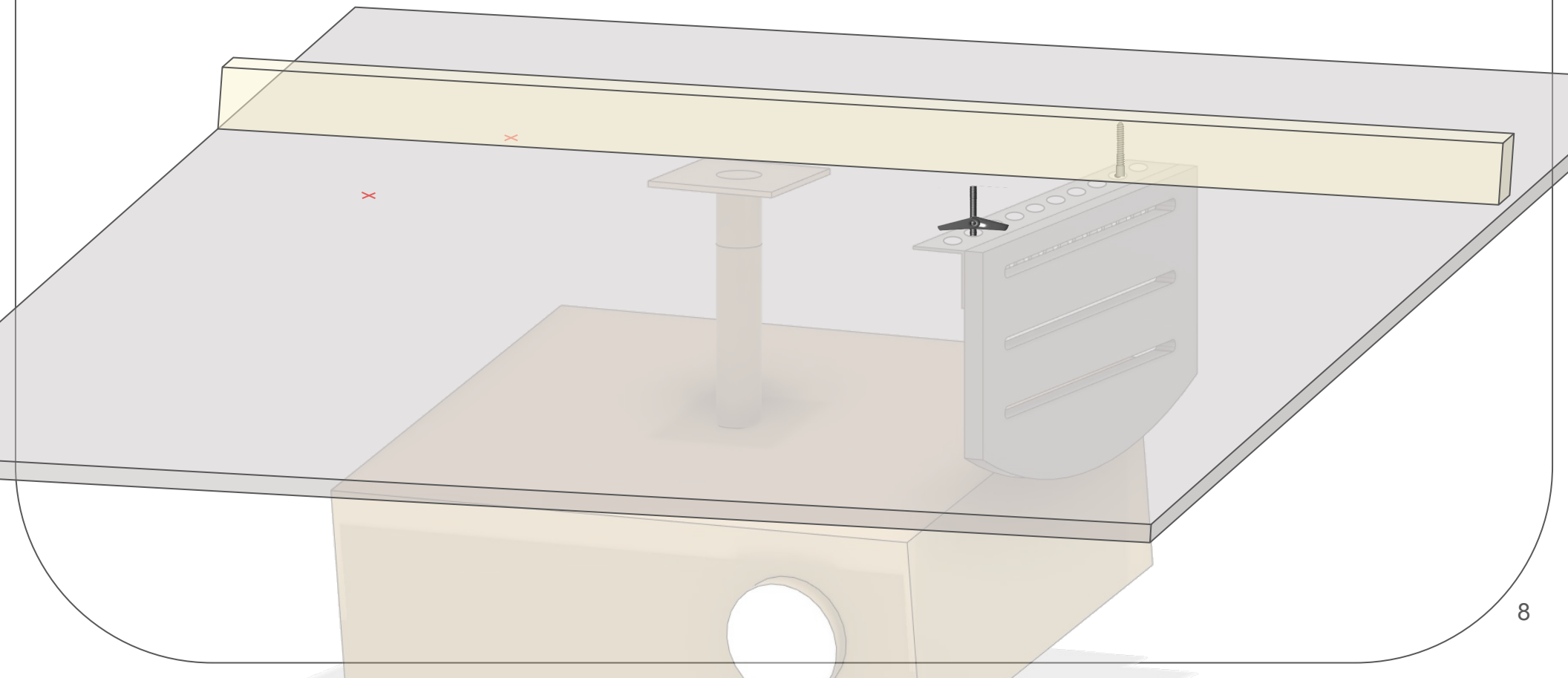
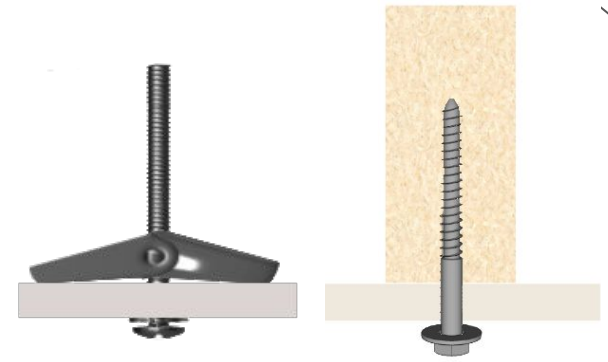
## Step 3

Align the bracket so that the drawn line runs between the angle bracket and mounting bracket, while ensuring the bracket is centered on the center mark. Mark an 'X' for 4 mounting holes.



## Step 4

- If marked holes align with a joist, drill  $5/32$ " pilot hole for the  $1/4$ " lag bolts. While anchoring to a joist is preferred when available it is not required for a safe installation.
- Where no joist, drill  $5/8$ " hole for toggle bolts.





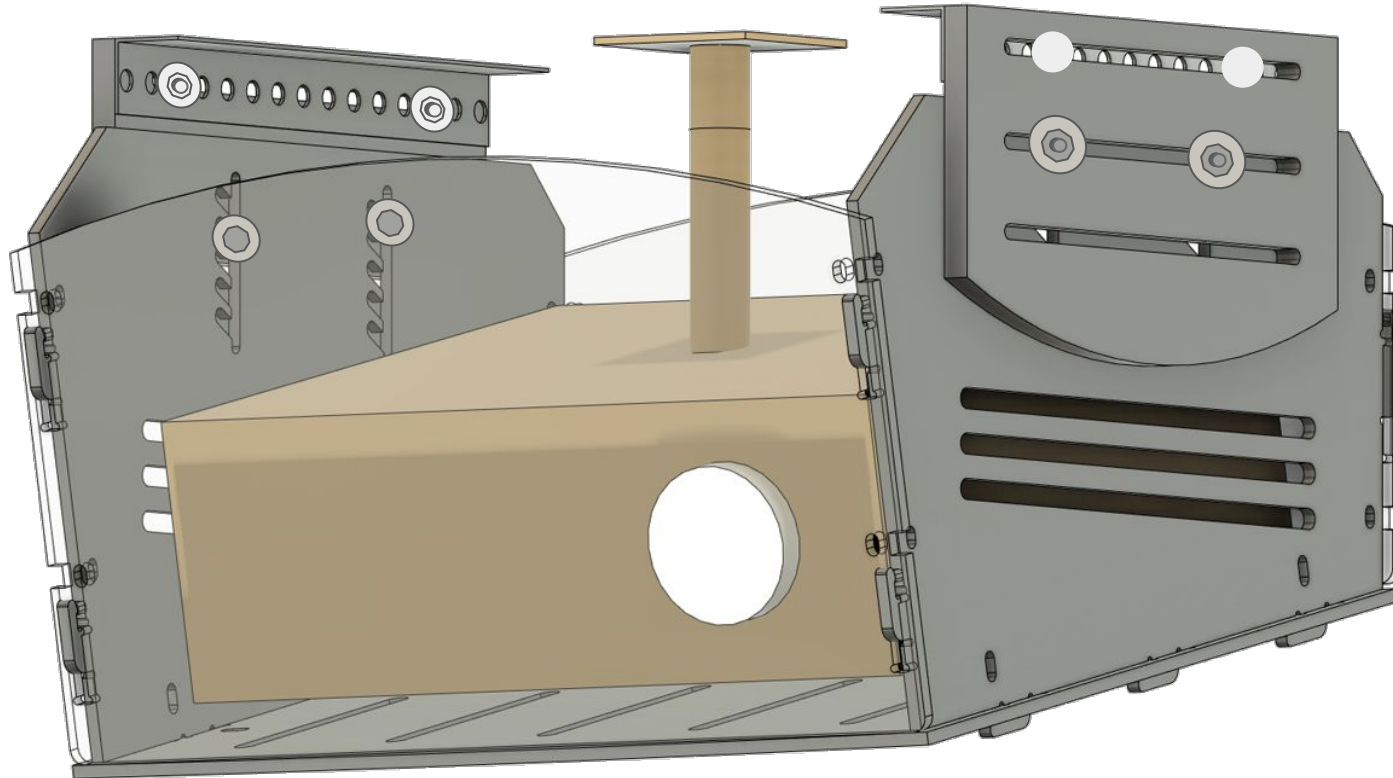
## Step 5

### Shield Mounting:

4X 1.25" bolts 4X nuts,  
8X ¼" fender washers

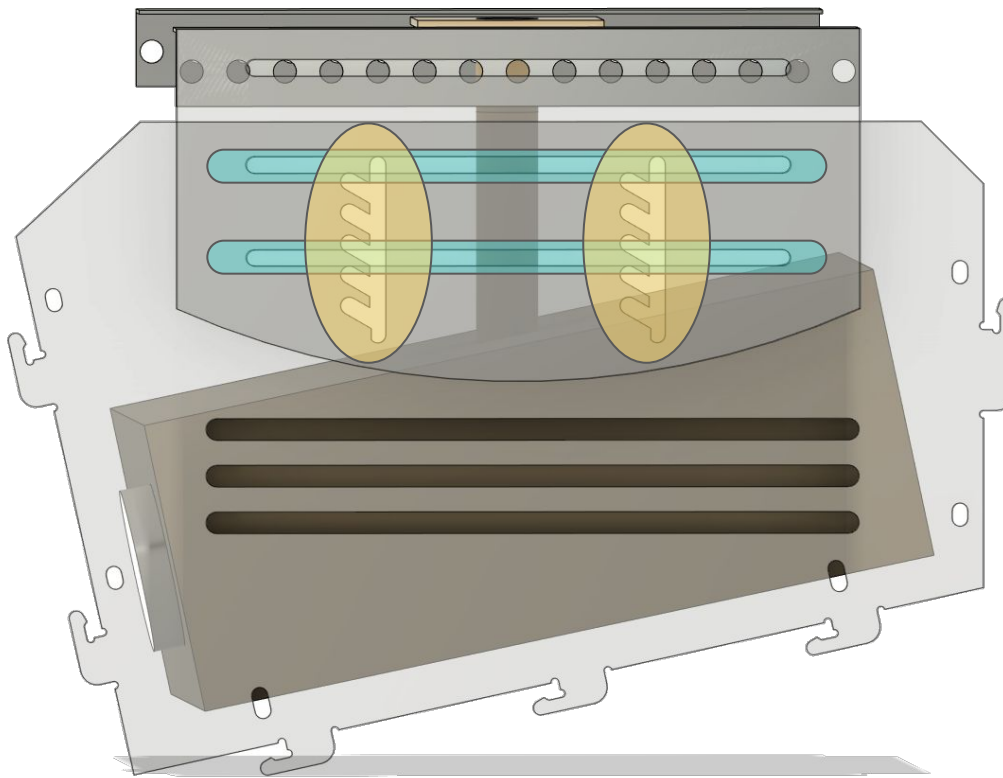


Remove the front or rear shield for easier mounting of the projector shield to the mounting brackets. Using the provided hardware thread the 4 X bolts through the vertical slots of the shield to the upper or lower slot on the mounting brackets. Sandwich the shield and mounting brackets with the fender washers.



## Step 6

The horizontal slots on the drop brackets allow the projector shield to slide forward or backward for centering the projector.

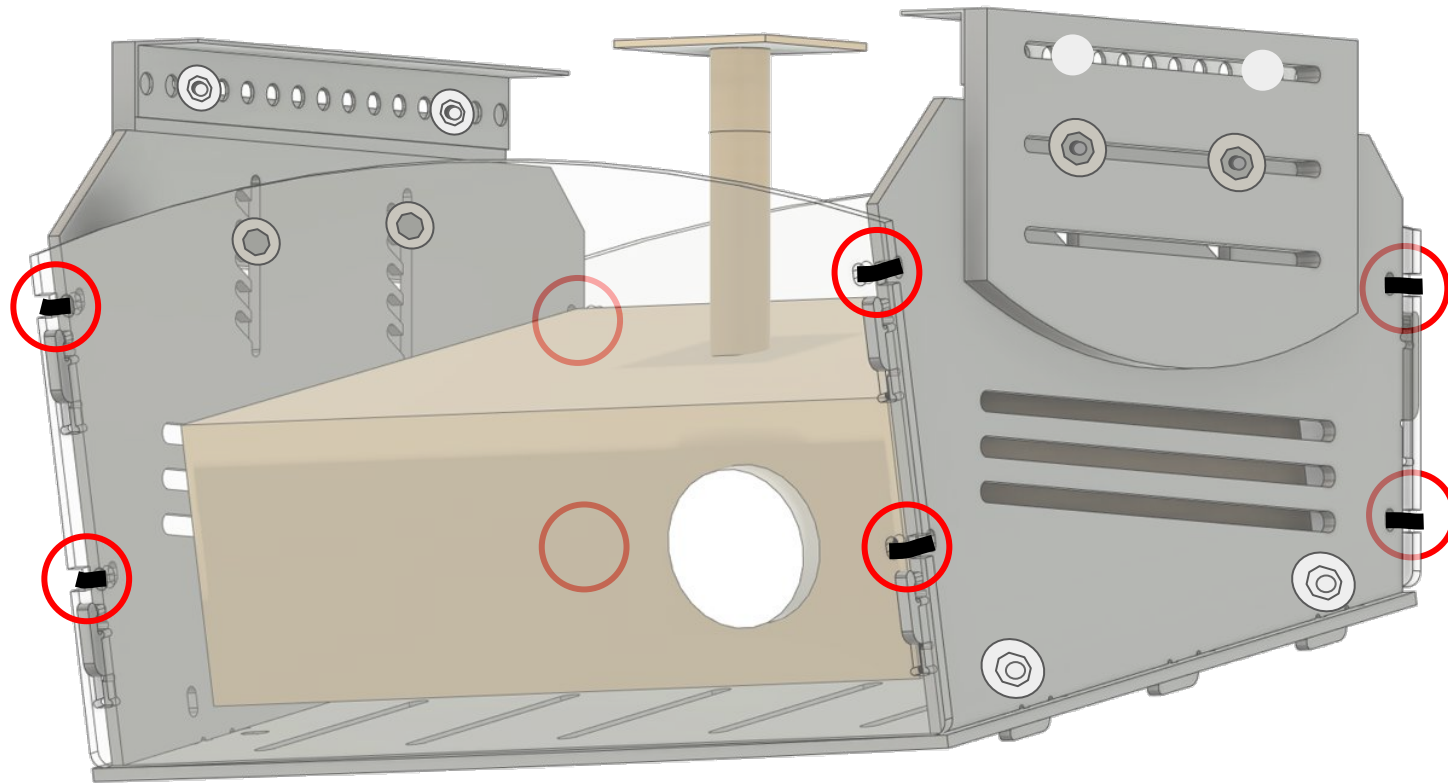


The two vertical notched slots on the projector shield allow for different drop heights.

**TIP:** If different notches are used between the front and back vertical slots on the projector shield it is possible to achieve an different angle/tilt.

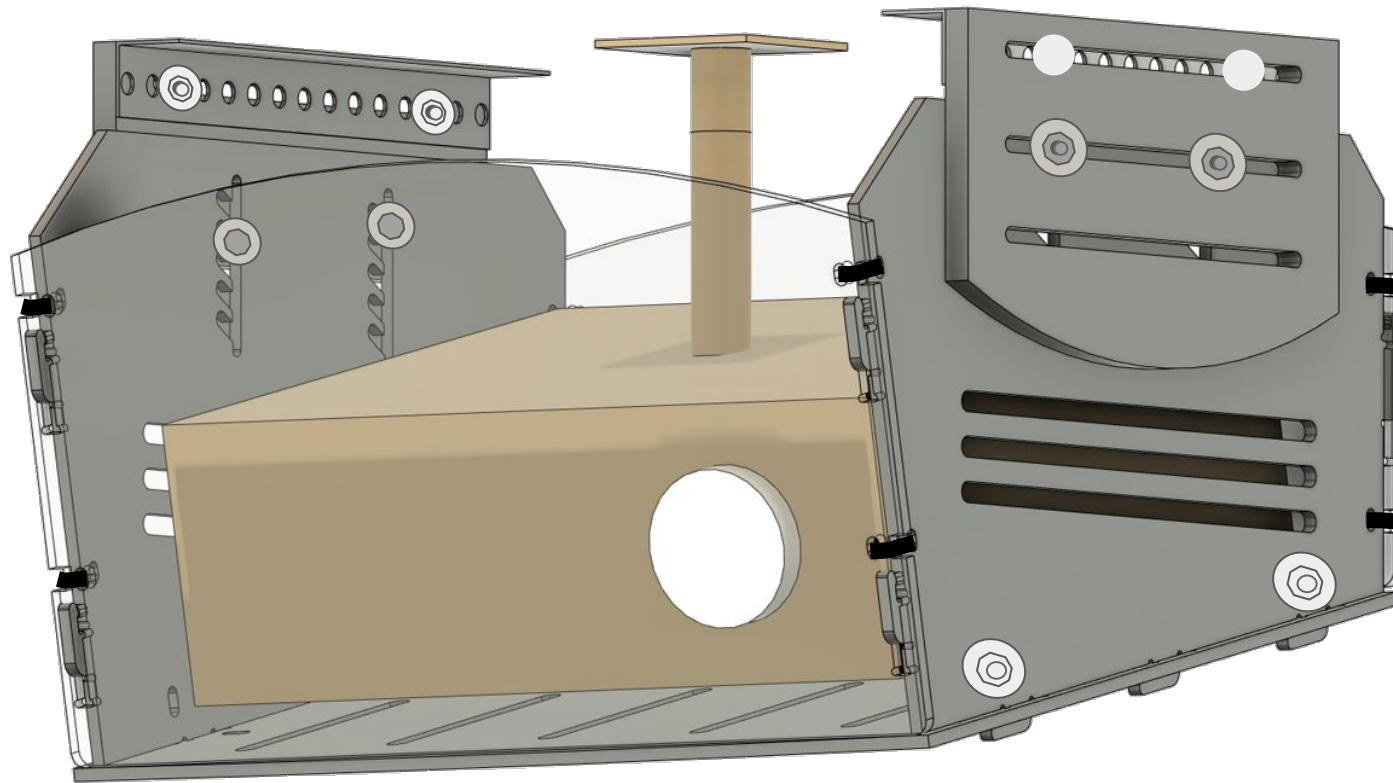
# Step 7

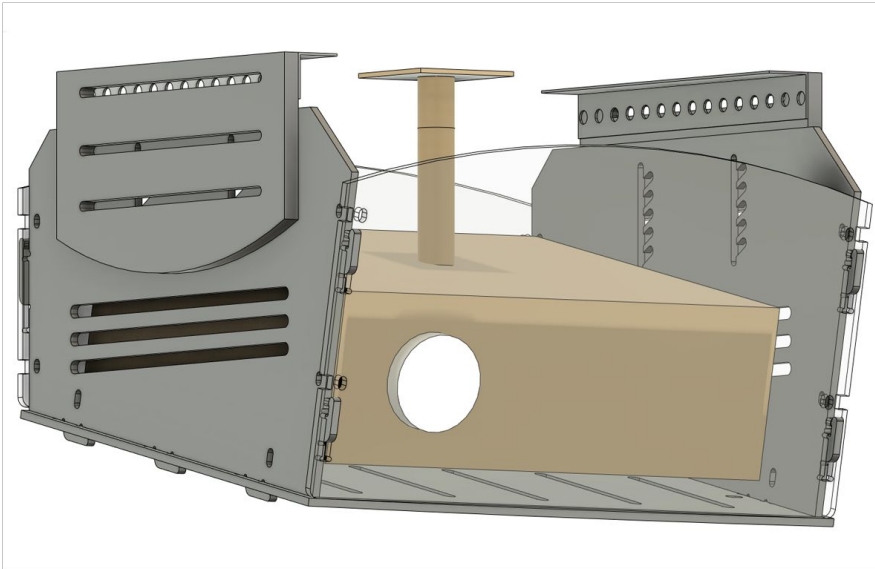
**Add 8 X Zip ties** to the front and rear panels. Trim tails.



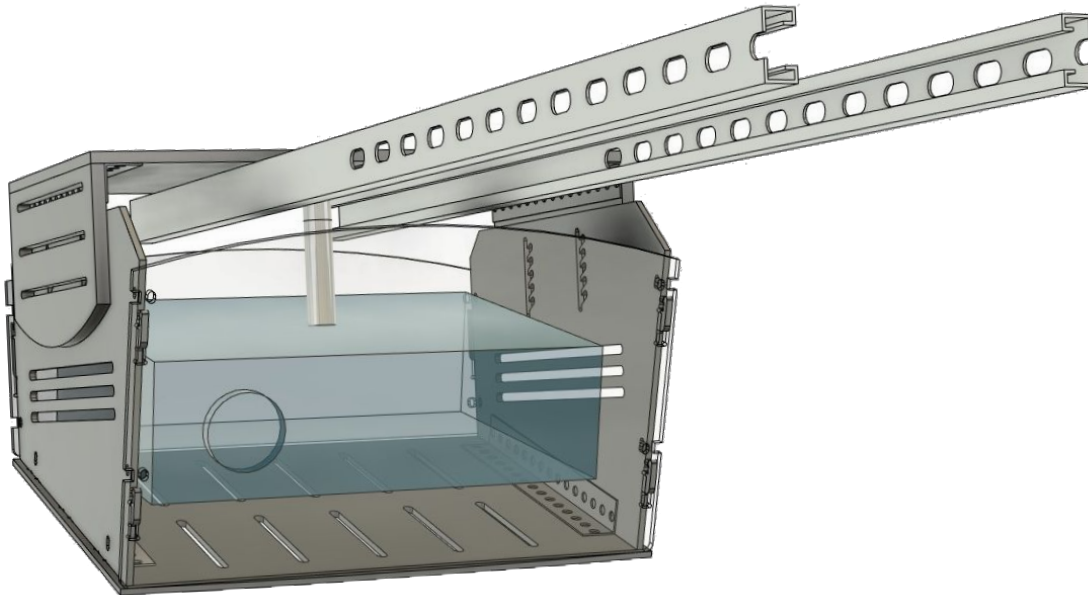
It is important to install these safety straps to keep these panels secure if shield is impacted by balls or clubs.

# Installation Complete!





**Ceiling Mount  
instruction begins**  
[Page 3](#)

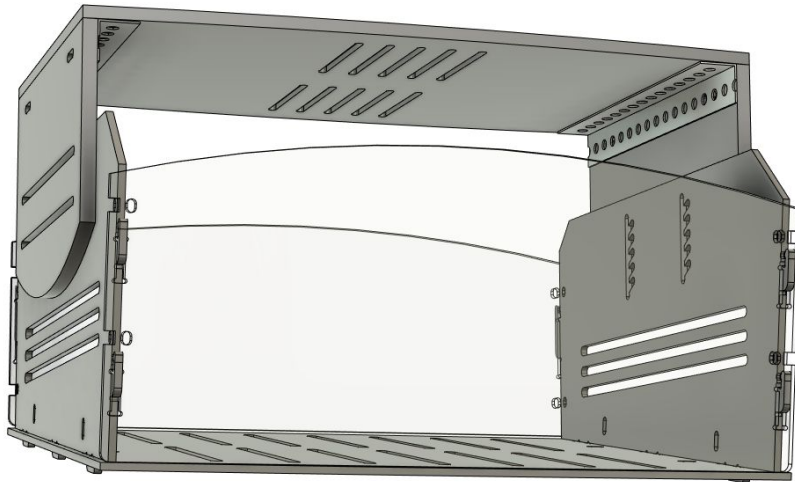


**SkyRailPlus™  
instruction begins**  
[Page 14](#)



# Parts & Hardware SkyRailPlus Projector Shield

## 1X Projector Shield w/Mounting Bracket



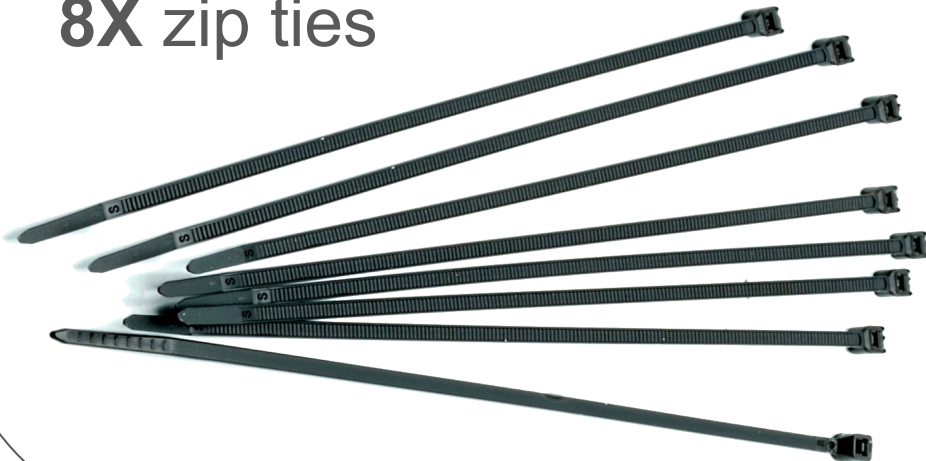
## Shield Mounting:

4X 1.25" bolts, 4X nuts,  
8X 1/4" fender washers

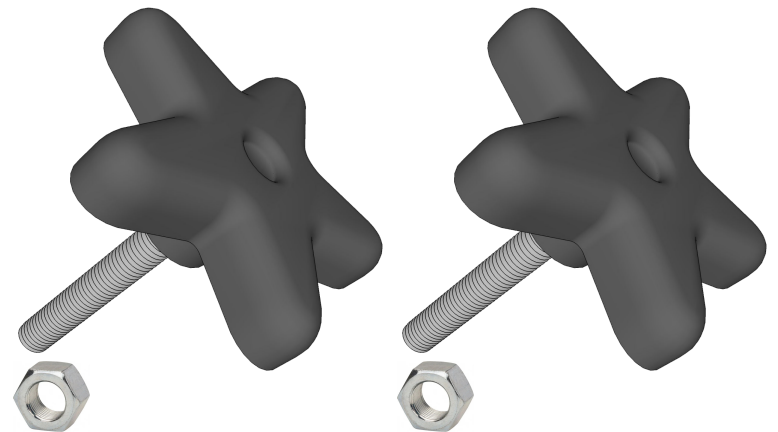


## Clear Panel Safety Straps:

8X zip ties



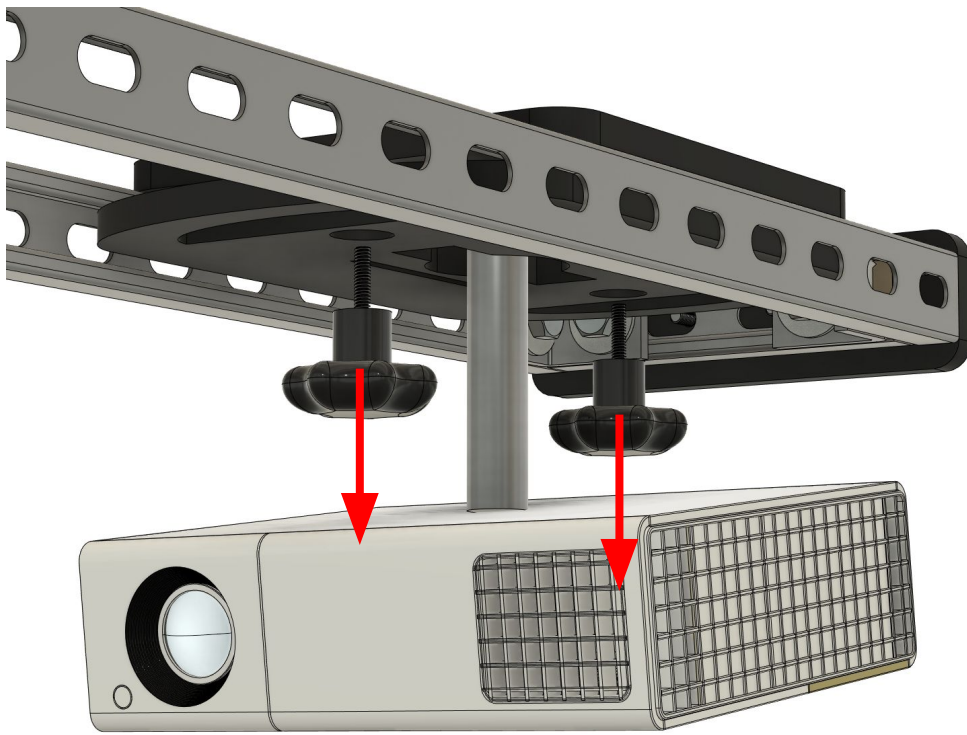
2X 2" threaded Knobs,  
2X 1/4" nuts



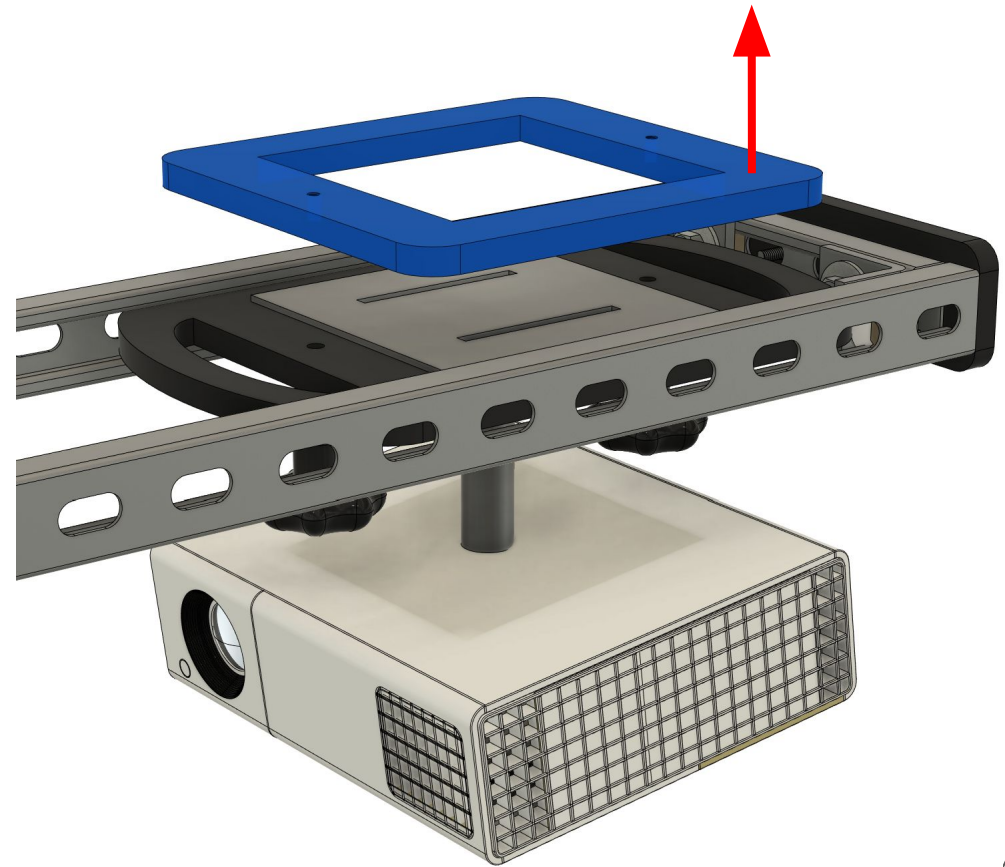


# Prepare SkyRailPlus™ (for previous SkyRailPlus™ owners **ONLY**)

1. Remove previously installed knobs from sliding plate assembly.



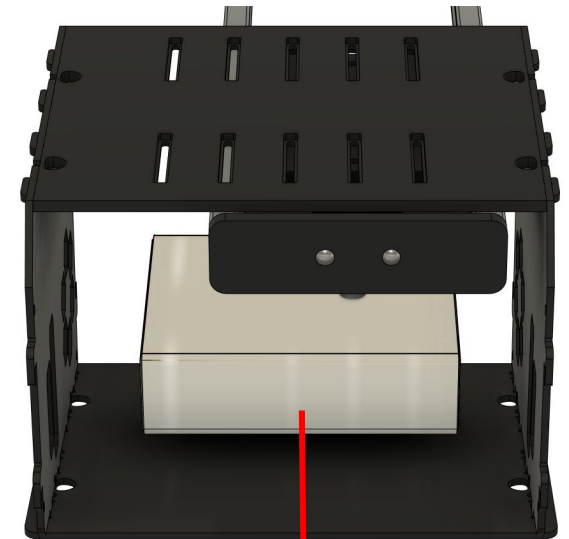
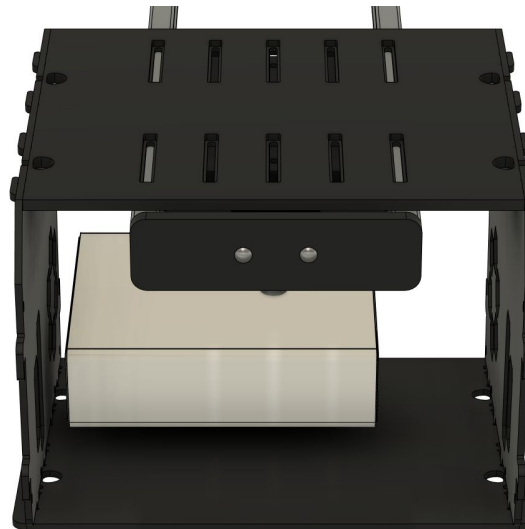
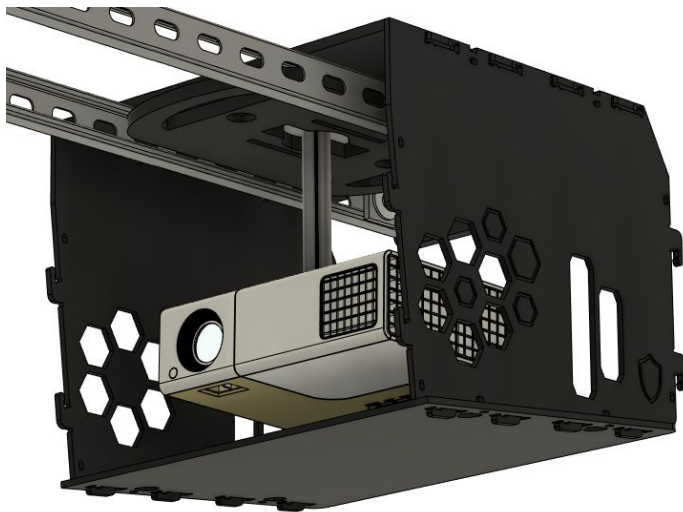
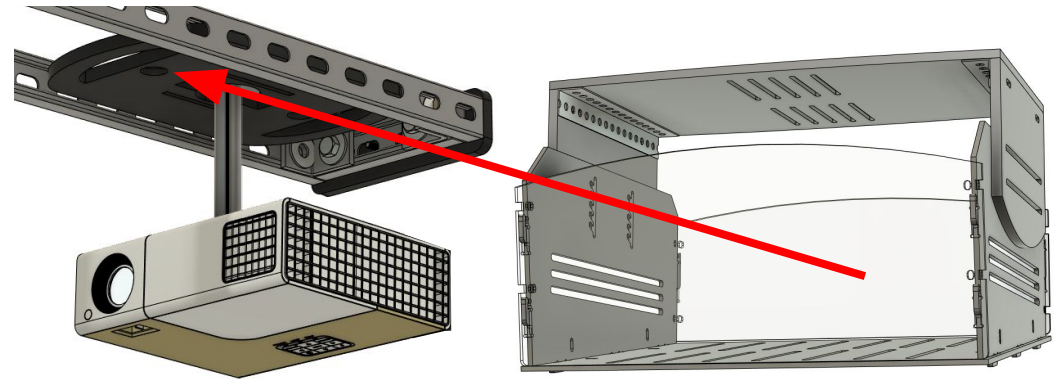
2. Remove top plate. This will not be needed with the ProjectorShield™.



# Mount ProjectorShield™ Enclosure to SkyRailPlus™

3. **Remove clear faceplate** and bring the ProjectorShield™ Enclosure over the rail and around the projector.

Center the ProjectorShield™ Enclosure on projector using the different slots in Top Plate.

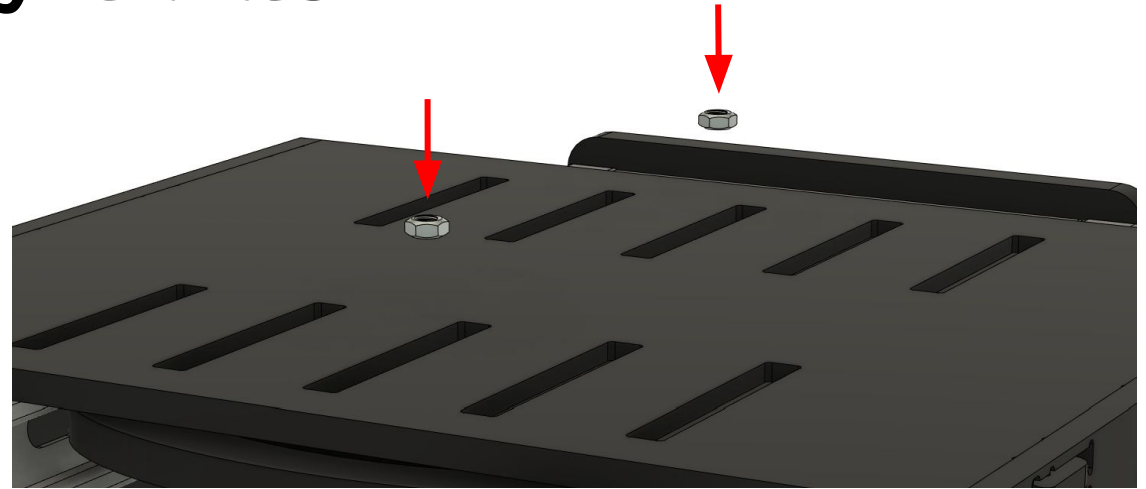


(some imagery may not match your shield exactly)



# Mount Partial ProjectorShield™ Enclosure to SkyRailPlus™

4. After centering the ProjectorShield™ on the projector, insert the 2x included Hex Nuts into the closest slots in Top Plate.

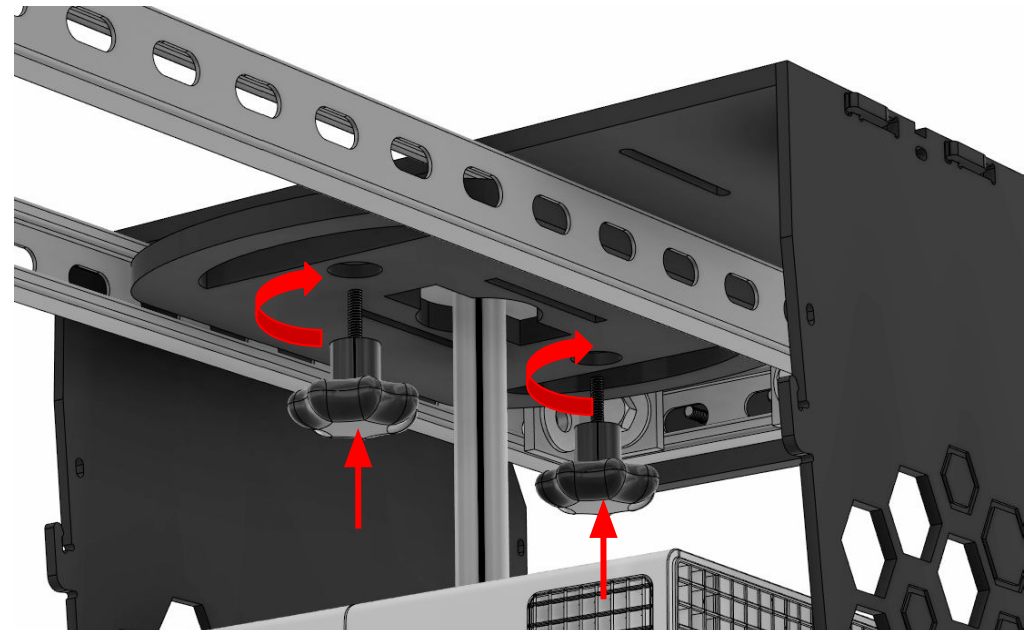


(some imagery may not match your shield exactly)

5. Thread new knobs through the projector sliding tray into the Hex Nuts.

## **DO NOT OVER TIGHTEN.**

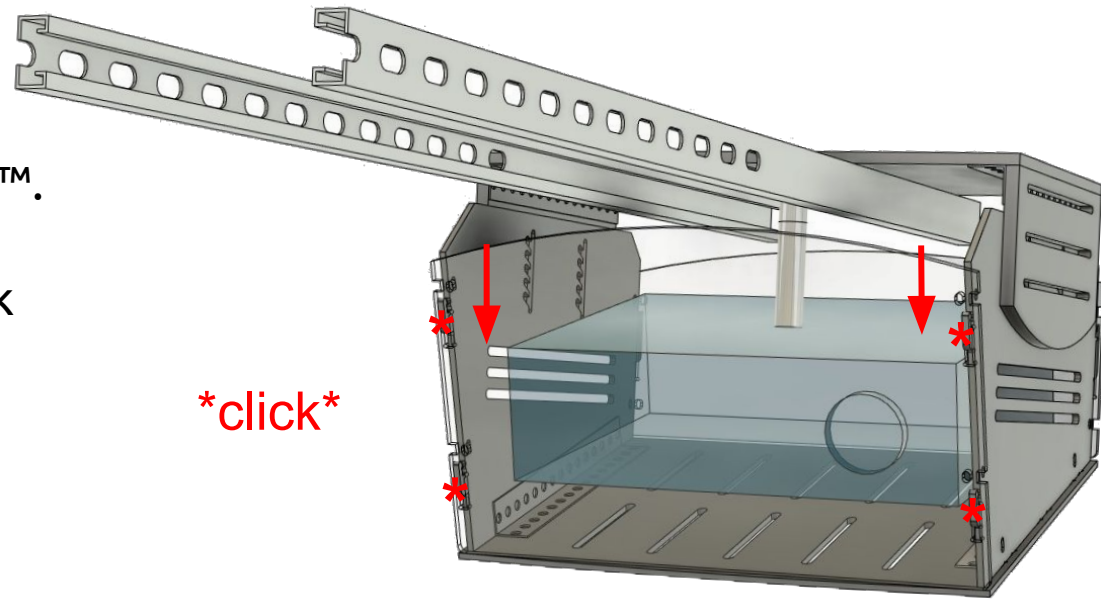
Knobs should allow unit to slide forwards and backwards with some resistance.



# Attach Faceplate

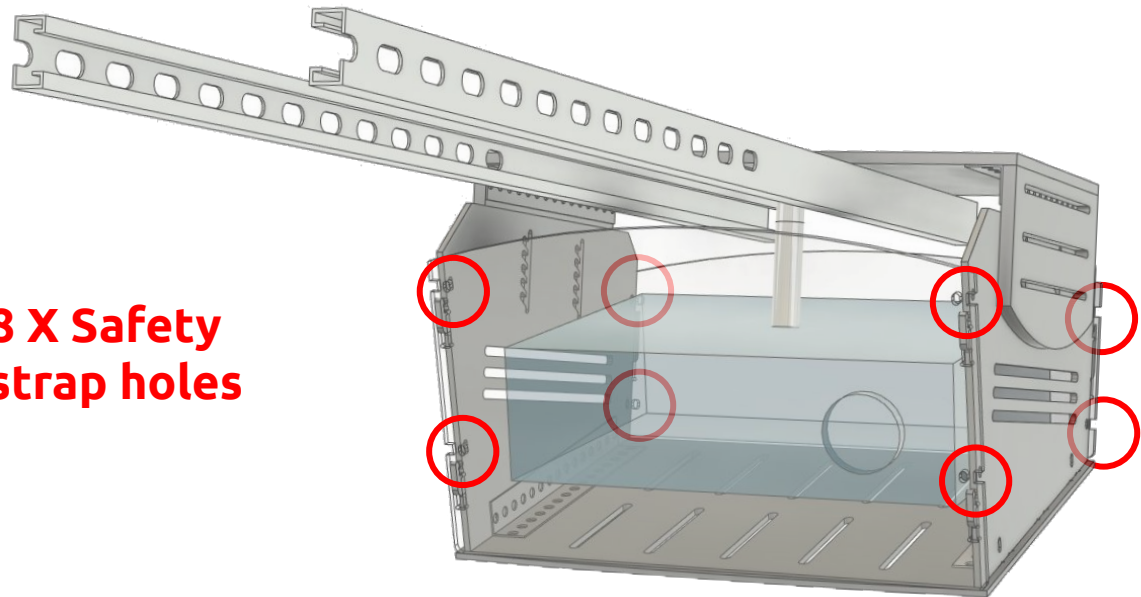
6. Carefully attach the clear faceplate onto hooks on the front of your ProjectorShield™.

Push faceplate down and lock into place with hooks. **Some light** force may be needed to lock plates into place.



7. Add 8 x safety straps to the front and rear faceplates. Trim tails.

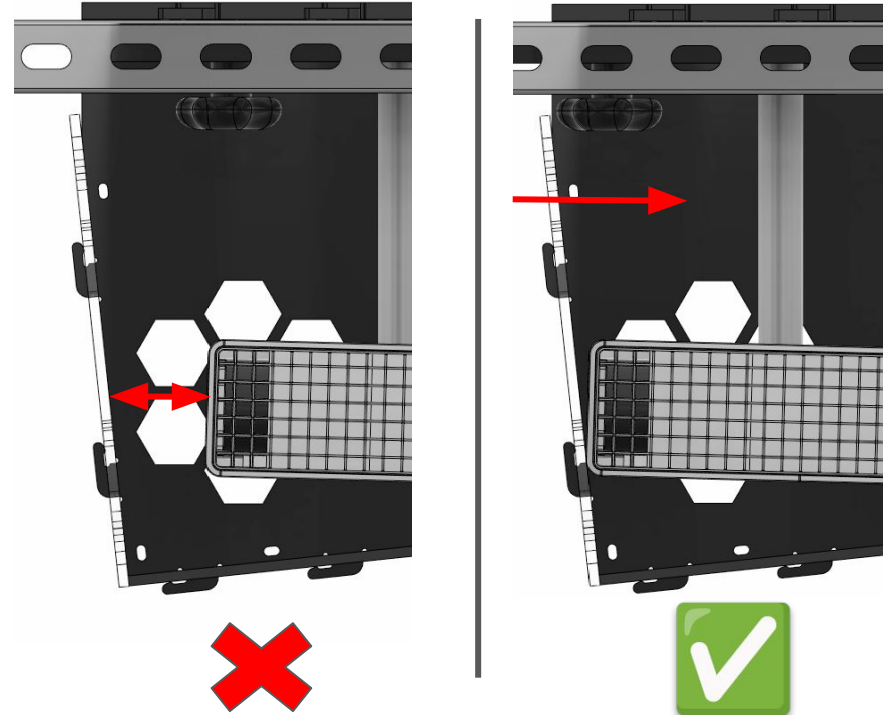
**8 X Safety strap holes**



# Adjust Projector

8. **Adjust** projector position for the best image fit for your enclosure.

**Next** using the slots in the Top Plate, slide the ProjectorShield™ as close as possible to the lens of the projector.



(some imagery may not match your shield exactly)

# Installation Complete!

