

MicroBay™ Installation Guide

AllSportSystems®



IMPORTANT WARNING

USE THIS PRODUCT AT YOUR OWN RISK. NO CLAIM IS MADE AS TO ITS SAFETY, FITNESS, OR RELIABILITY FOR ANY PURPOSE. HITTING GOLF BALLS IN AN INDOOR ENVIRONMENT IS EXTREMELY DANGEROUS! ALWAYS EXERCISE CAUTION WHEN USING YOUR SYSTEM. WE RECOMMEND HITTING 'ALMOST GOLF' BALLS OR SIMILAR LIGHTWEIGHT GOLF BALLS FOR INCREASED SAFETY. NEVER SWING A GOLF CLUB IN CLOSE PROXIMITY TO PETS OR PEOPLE. ALWAYS STAND AS CLOSE AS POSSIBLE TO THE HITTING BAY TO MINIMIZE THE RISK OF STRAY SHOTS FLYING OUTSIDE THE ENCLOSURE. NEVER ALLOW ANYONE TO STAND IN FRONT OF YOU, OR ON EITHER SIDE OF THE ENCLOSURE WHILE YOU ARE HITTING!

MicroBay™ Parts List

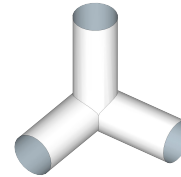
Fabric Parts:

- 1 x Black Fabric Top Panel
- 2 x Black Fabric Side Panels
- 2 x Black Fabric Pole Sleeves
- 1 x Impact Screen

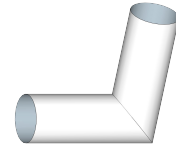
Additional Hardware:

- 1 x package of cable (zip) ties
- 1 x adhesive Velcro stiff hook
(for screen screen pole/top panel)
- 1 x adhesive Velcro soft loop
(for rear poles/side panels)
- 2 x nylon coated cable wire & turnbuckle assembly

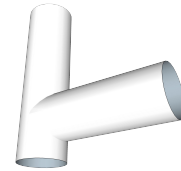
Connector Kit:



4 x 3-Way Connectors



2 x 90° Connectors. Not included if SkyBridge upgrade is purchased.



4 x T-Connectors



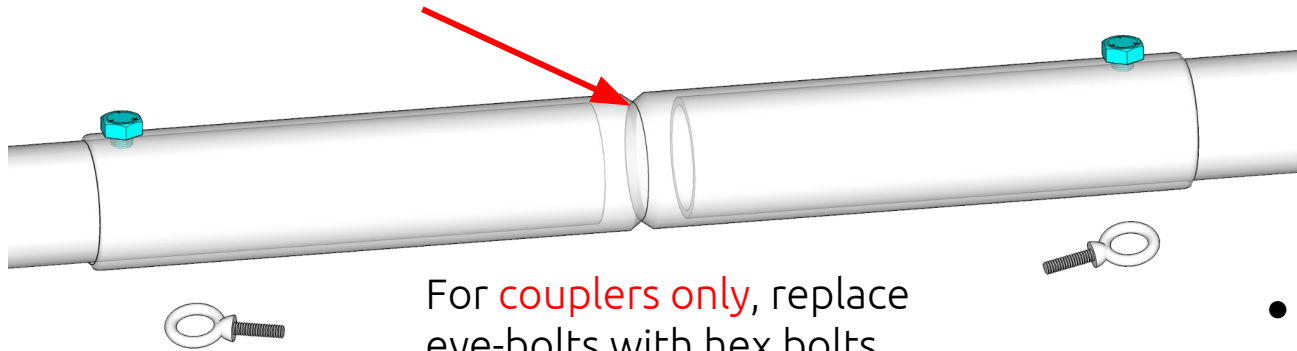
3 x Pole Couplers
(only if wider than 10ft)

EMT Pole Kit (optional upgrade):

- 8 x Height EMT Poles + 4 x couplers
- 6 x Width EMT Poles + 3 x couplers
- 2 x Top Depth EMT Poles
- 2 x Bottom Leg EMT Poles

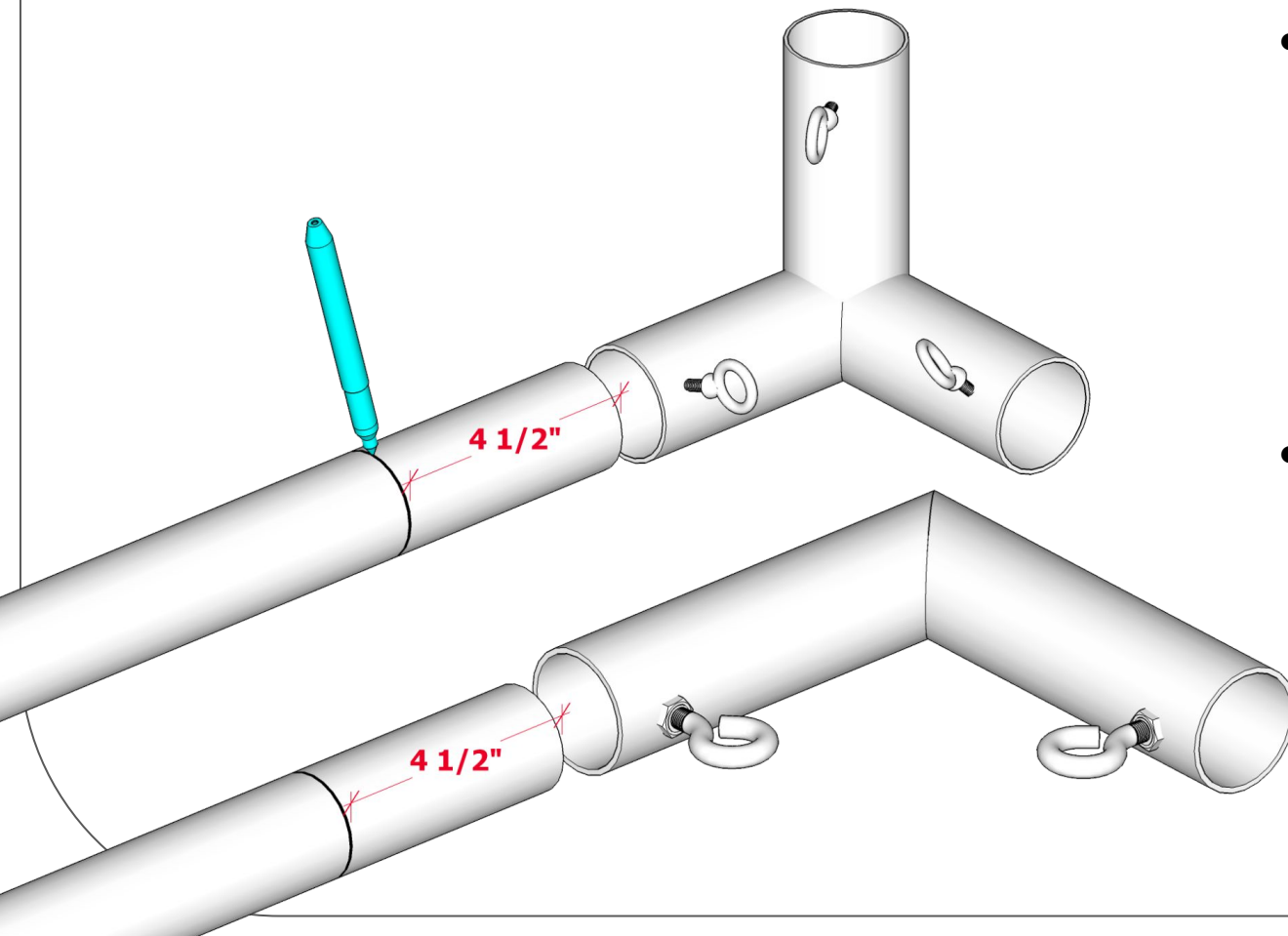
Couplers & Corner Connectors

Insert poles 1/4" from crimp



For **couplers only**, replace eye-bolts with hex bolts

- Replace eye-bolts with hex bolts on all couplers.
- Do not insert pole all the way into couplers. Pull pole about 1/4" back from the crimp point.
- ⚠ Forcing poles all the way to crimp may cause poles to exit coupler at an angle.
- Mark and insert poles 4-1/2" into 3-Ways and 90° Connectors.



MicroBay™ EMT Pole Cutting Chart

⚠ See [SkyBridge](#) setup guide for modified cage assembly if this upgrade is included. Note that pole count will be reduced by 1 width/extension pole for this upgrade.

Actual dia 1-3/16"
(30.16 mm)

- 1" Common EMT 10-ft conduit can be purchased from a local home improvement store. Use the chart below to purchase correct quantity and cut to the proper lengths.



USE THIS CHART TO CUT POLES IF YOU ARE PURCHASING YOUR OWN POLES LOCALLY...

MicroBay Size	10' Poles Needed	Height	Width	Width Extension	Depth
8'H x 10'W x 2'D	8	QTY 4 Poles 7'-9"	QTY 3 Poles 9'-9"	None needed	QTY 1 Pole to: 2 pieces 1'-9" 2 pieces 3'-0"
9'H x 12'W x 2'D	9	QTY 4 Poles 8'-9"	QTY 3 Poles 10' (no cuts)	QTY 1 Pole to: 3 pieces 1'9"	QTY 1 Pole to: 2 pieces 1'-9" 2 pieces 3'-0"
8'H x 13'W x 2'D	9	QTY 4 Poles 7'-9"	QTY 3 Poles 10' (no cuts)	QTY 1 Pole to: 3 pieces 2'9"	QTY 1 Pole to: 2 pieces 1'-9" 2 pieces 3'-0"
9'H x 14'W x 2'D	10	QTY 4 Poles 8'-9"	QTY 3 Poles 10' (no cuts)	QTY 2 Poles to: 3 pieces 3'9"	QTY 1 Pole to: 2 pieces 1'-9" 2 pieces 3'-0"
9'H x 16'W x 2'D	10	QTY 4 Poles 8'-9"	QTY 3 Poles 10' (no cuts)	QTY 3 Poles to: 3 pieces 5'9"	Cut from Scrap: 2 pieces 1'-9" 2 pieces 3'-0"

Tip: If you ordered custom bay, all poles are cut 3" shorter than desired cage dimension.

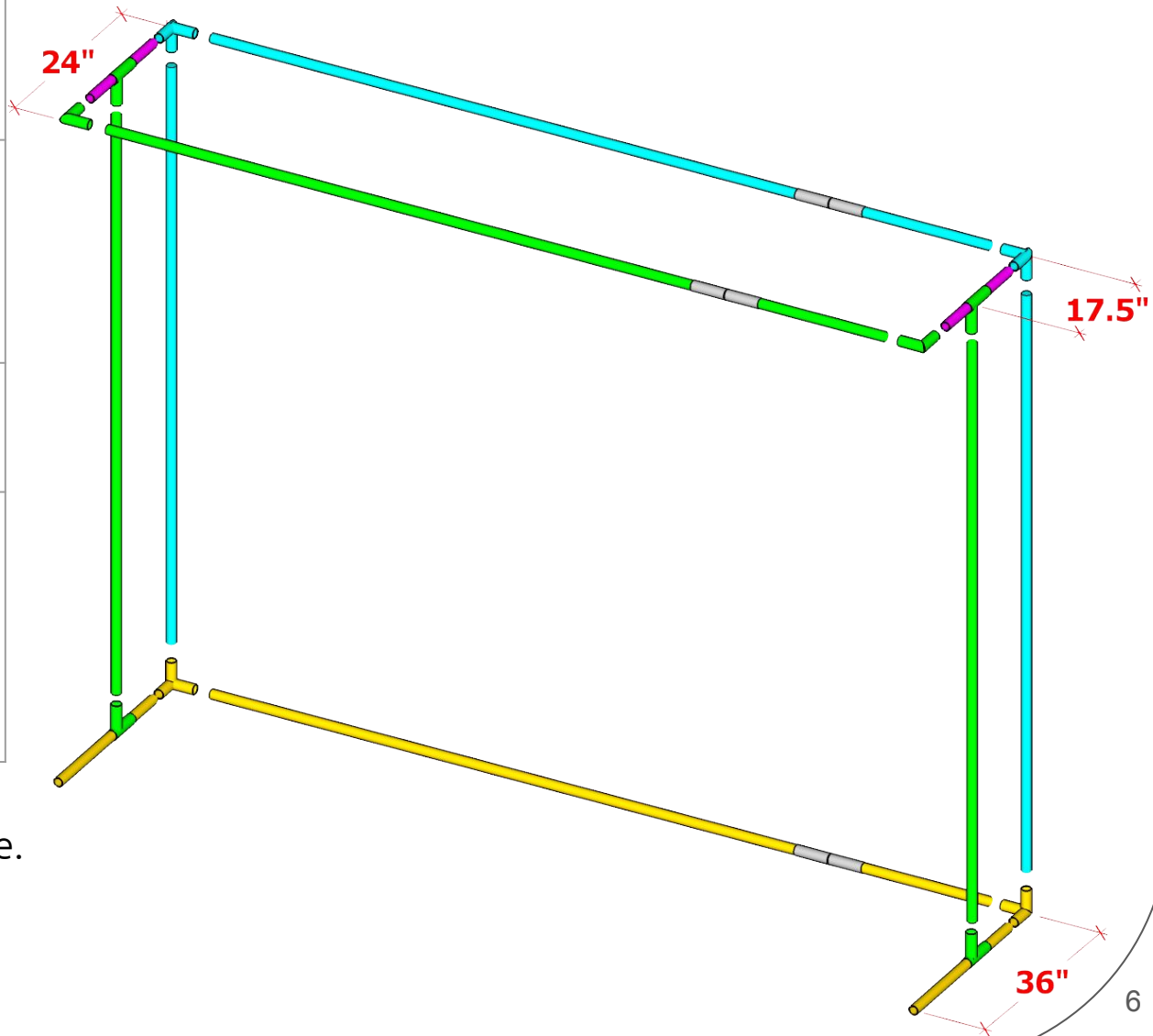
CAGE ASSEMBLY - EMT's Purchased Locally

⚠ See [SkyBridge](#) setup guide for modified cage assembly if applicable and note that pole count will be reduced by 1 width/extension pole for this upgrade.

1) BUILD BOTTOM	2 x 3-Ways 2 x Leg poles 1 x Width pole 1 x Coupler + extender*
2) BUILD REAR	2 x 3-Ways 2 x Height poles 1 x Width pole 1 x Coupler + extender*
3) BUILD DEPTH	2 x Top Depth poles
4) BUILD FRONT	4 x T-Connectors 2 x Height poles 2 x 90° 1 x Width pole 1 x Coupler + extender*

* Couplers + extender poles only needed for bays larger than 10ft wide.

- For each coupler replace eye-bolts with hex bolts.
- Insert poles 1/4" from the crimp in couplers.
- Insert poles 4 1/2" into 3-Ways and 90° connectors



MicroBay™ EMT Pole Kit Chart

 See [SkyBridge](#) setup guide for modified cage assembly if this upgrade is included.
Note that your EMT pole count will be reduced by 1 width pole for this upgrade.

USE THIS CHART TO VERIFY POLE LENGTHS PROVIDED IN EMT POLE KIT...

MicroBay Size	Height Poles	Width Poles	Depth Poles	Pole Couplers
8'H x 10'W x 2'D	QTY 8 Poles 46.5"	QTY 6 Poles 58.5"	QTY 2 Poles - 21" QTY 2 Poles - 36"	7
9'H x 12'W x 2'D	QTY 8 Poles 52.5"	QTY 6 Poles 70.5"	QTY 2 Poles - 21" QTY 2 Poles - 36"	7
8'H x 13'W x 2'D	QTY 8 Poles 46.5"	QTY 6 Poles 76.5"	QTY 2 Poles - 21" QTY 2 Poles - 36"	7
9'H x 14'W x 2'D	QTY 8 Poles 52.5"	QTY 6 Poles 82.5"	QTY 2 Poles - 21" QTY 2 Poles - 36"	7
9'H x 16'W x 2'D	QTY 8 Poles 52.5"	QTY 6 Poles 94.5"	QTY 2 Poles - 21" QTY 2 Poles - 36"	7

Tip: If you ordered custom bay, assembled pole lengths will be 3" shorter than cage dimension.

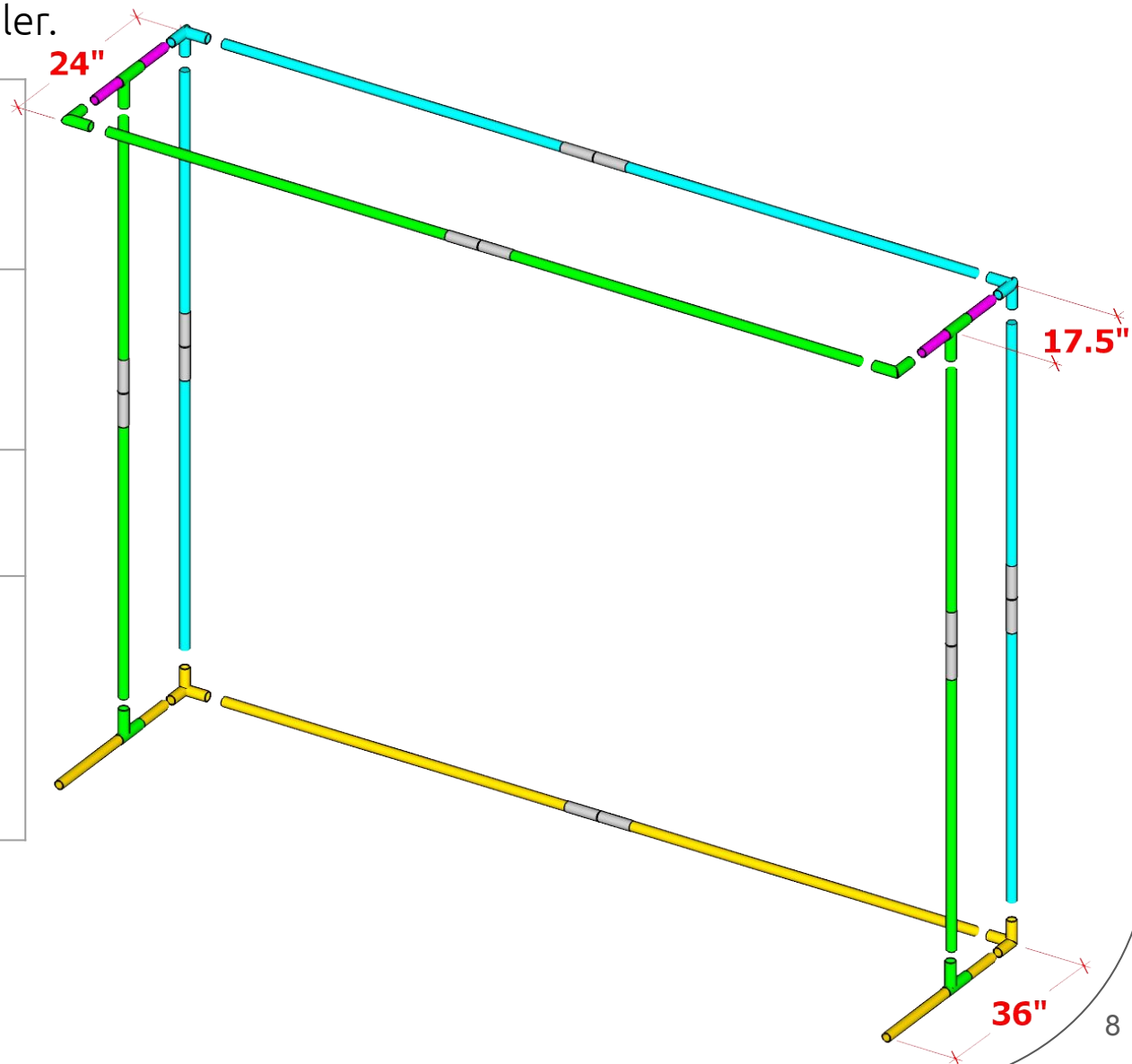
CAGE ASSEMBLY for EMT Pole Kit

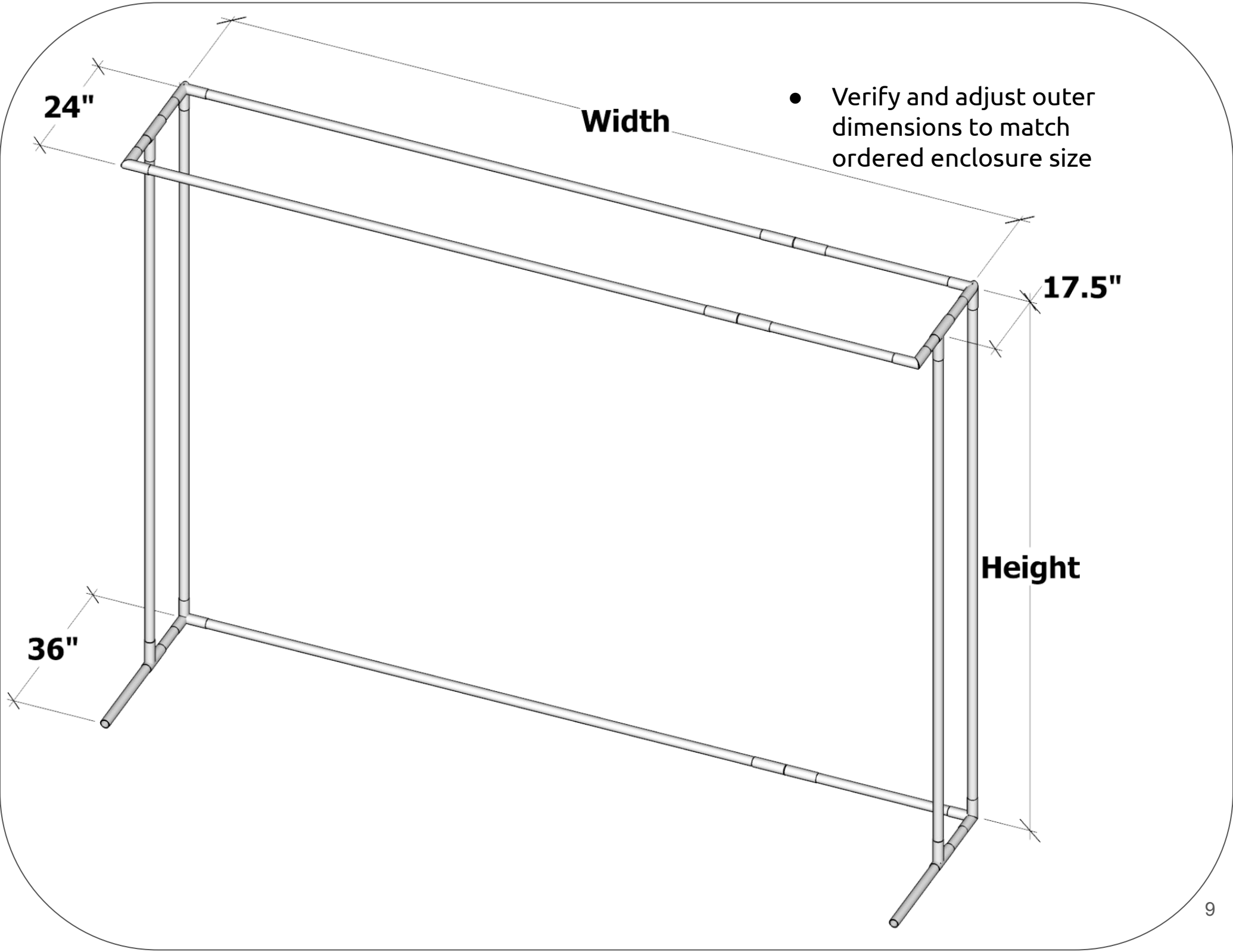
Use this diagram to assemble your cage from Precut 1" EMT Pole Kit upgrade

! See [SkyBridge](#) setup guide for modified cage assembly if applicable and note that pole count will be reduced by 1 width/extension pole for this upgrade.

- Insert poles 4 ½" into 3-Ways and 90 connectors.
- Insert poles ¼" from the crimp in couplers. Replace eye-bolts with hex bolts for each coupler.

1) BUILD BOTTOM	2 x 3-Ways 2 x Leg poles (36") 1 x Width pole + coupler
2) BUILD REAR	2 x 3-Ways 2 x Height poles + couplers 1 x Width pole + coupler
3) BUILD DEPTH	2 x Top Depth poles (21")
4) BUILD FRONT	4 x T-Connectors 2 x 90° 2 x Height poles + couplers 1 x Width pole + coupler





24"

Width

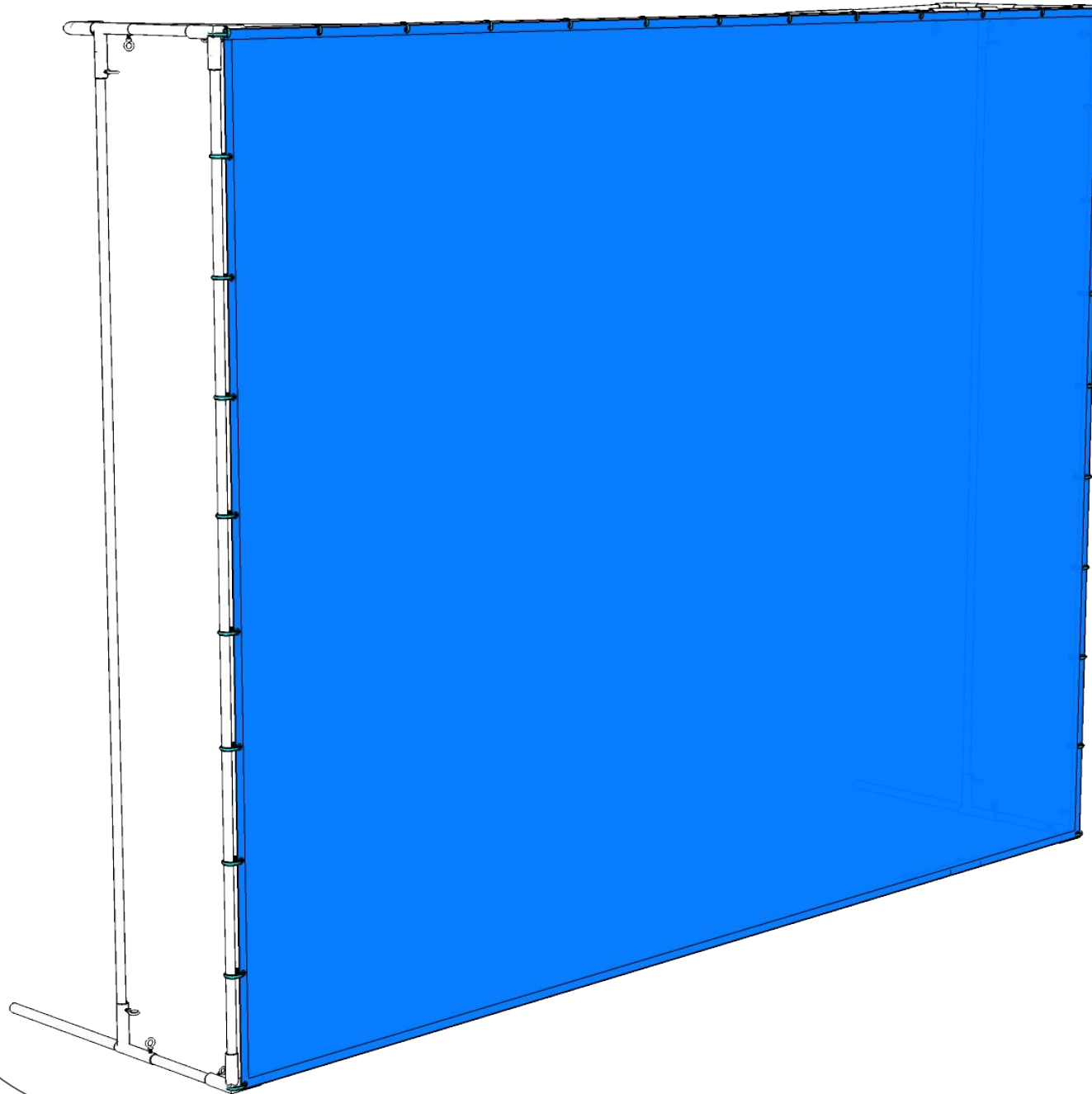
- Verify and adjust outer dimensions to match ordered enclosure size

17.5"

Height

36"

Install Back Panel



This is an optional upgrade.

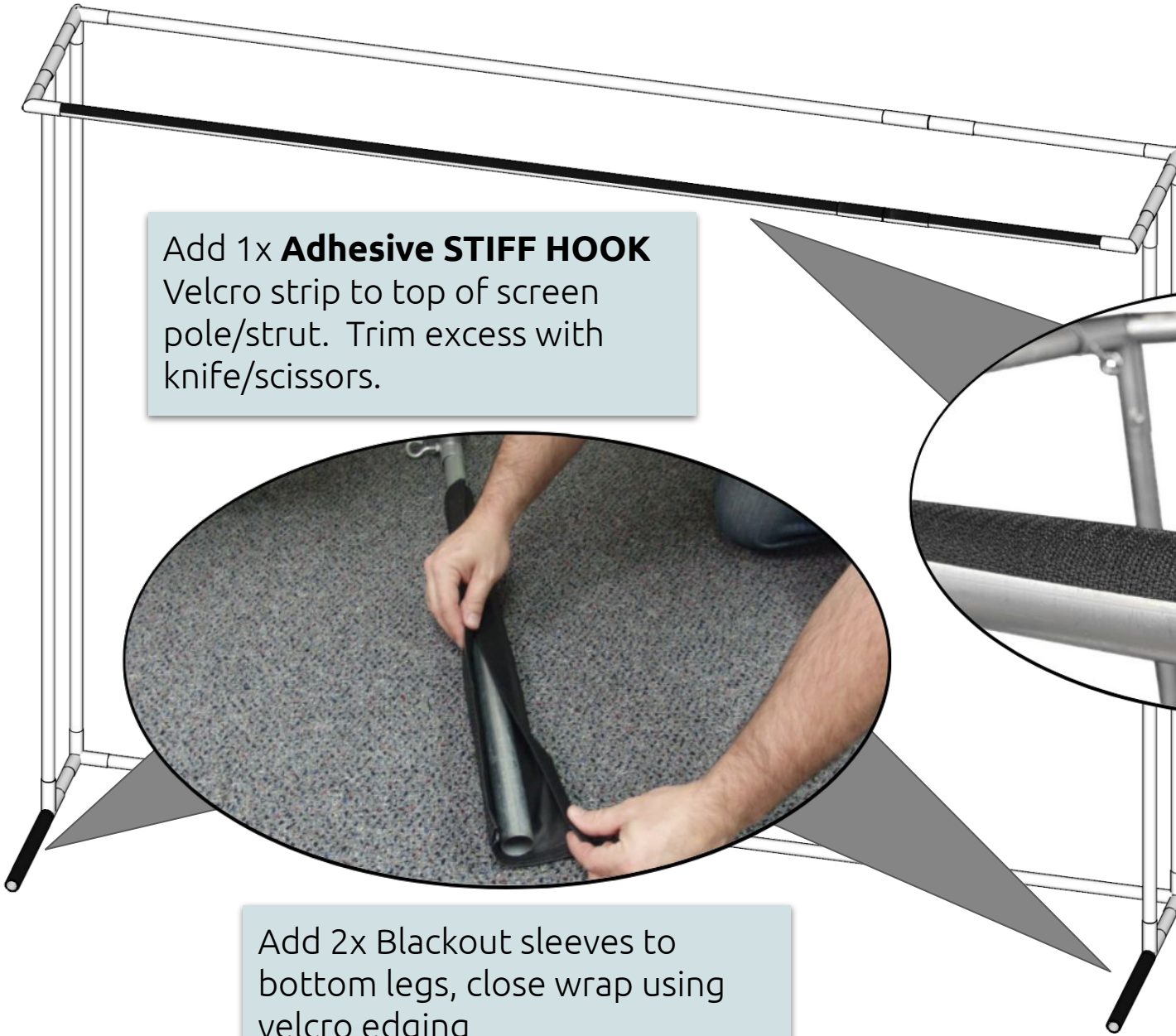
Attach back panel to rear of enclosure using cable ties

Add Velcro & Blackout sleeves

NOTE: **Adhesive SOFT LOOP** Velcro strip is for use with side panels.

Add 1x **Adhesive STIFF HOOK** Velcro strip to top of screen pole/strut. Trim excess with knife/scissors.

Add 2x Blackout sleeves to bottom legs, close wrap using velcro edging



Install Cables

Hardware:

- 2 x Nylon coated steel cable wire
- 2 x Turnbuckles
- 8 x Wire nuts

Loop 2 x SideRite cables around upper depth poles and lower legs

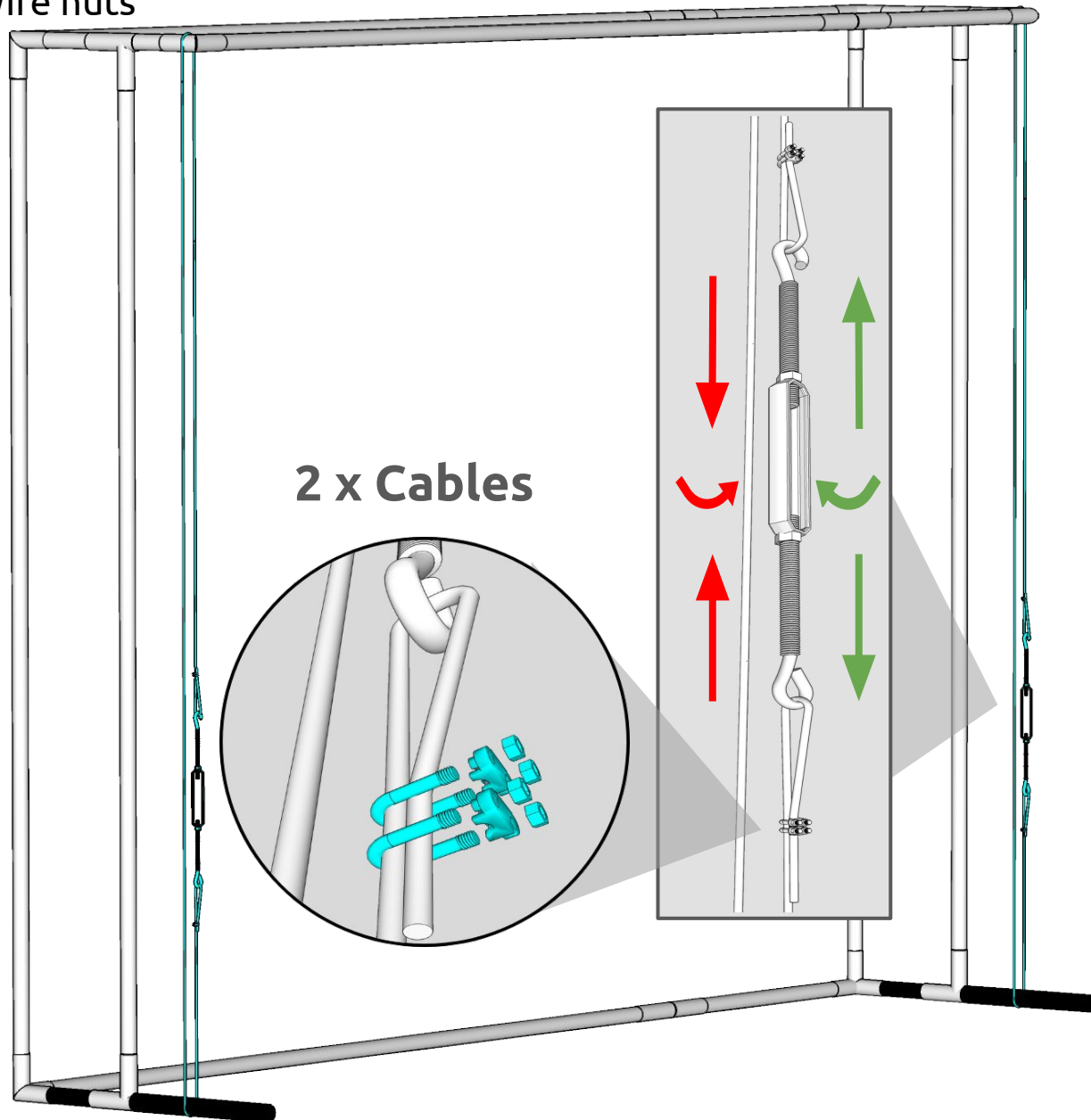
CABLE ASSEMBLY

Loosen turnbuckles. Do not completely unscrew eyelets/hooks from turnbuckle.

Thread cable through eyelet end of turnbuckle and secure cable back onto itself using wire nuts.

Pull opposite end of cable over hook end of turnbuckle and secure cable back onto itself using clamps.

Turn turnbuckles to **tighten** cables and trim excess cable. Do not let cable twist while tightening turnbuckle.



Hang the Screen

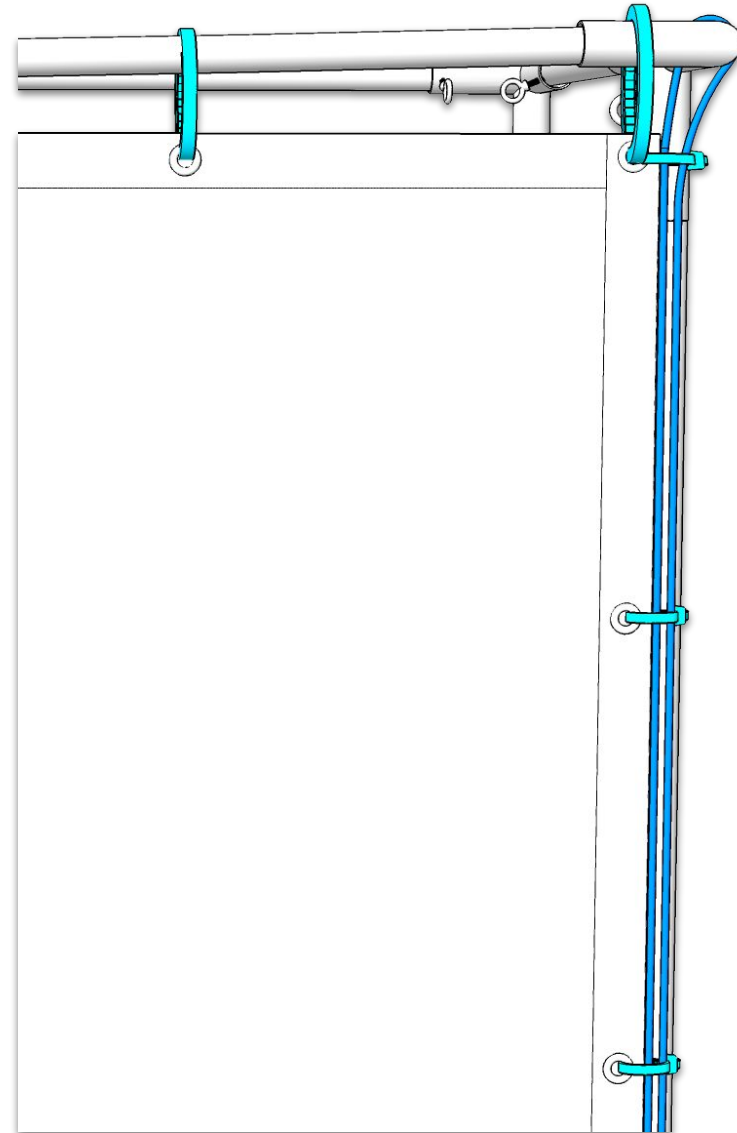
Using cable ties, loosely hang screen from screen pole. Do not tighten cable ties all the way.

Progressively adjust cable ties until screen hangs level and flush to floor.

Using cable ties, loosely attach sides of screen to SideRite™ Cables. Do not tighten cable ties all the way.

Progressively adjust cable ties to apply even side tensioning of screen.

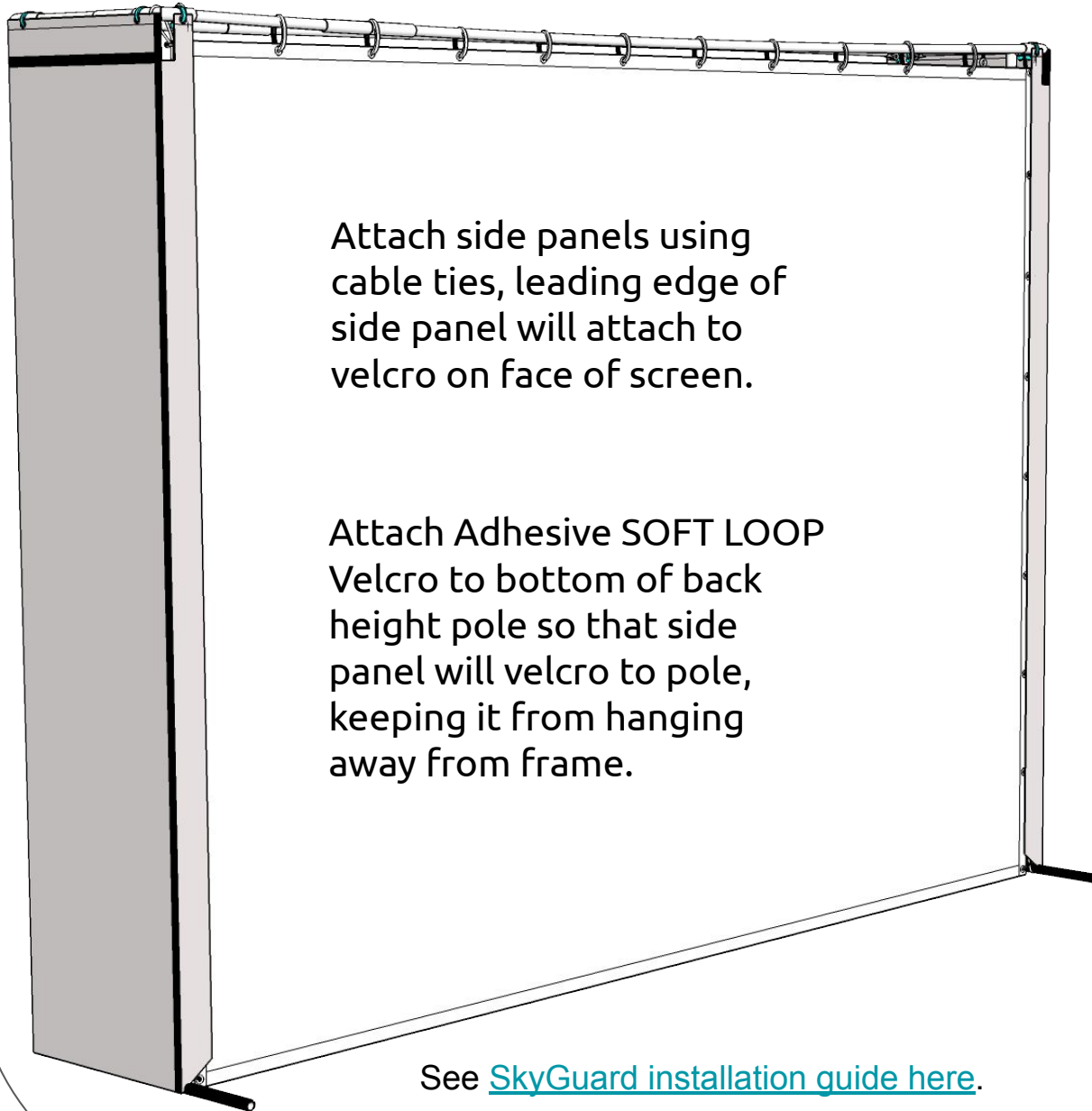
Tighten cable ties enough to flatten and smooth screen. Impact screen **should NOT be overly tensioned.**



AllSportSystems logo is on bottom left corner of screen

Install Side Panels

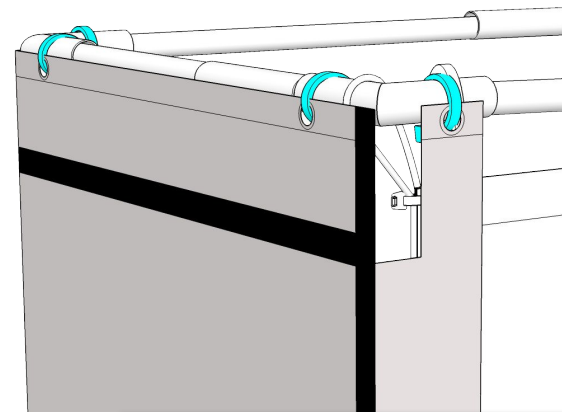
Side panels are interchangeable, and can be used on either side with or without SkyGuard Netting



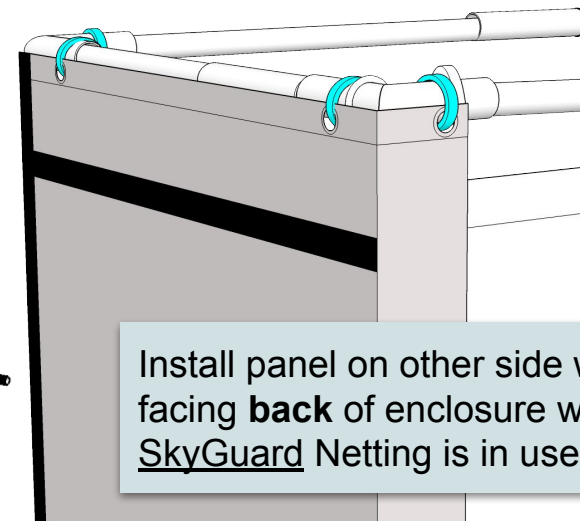
Attach side panels using cable ties, leading edge of side panel will attach to velcro on face of screen.

Attach Adhesive SOFT LOOP Velcro to bottom of back height pole so that side panel will velcro to pole, keeping it from hanging away from frame.

See [SkyGuard installation guide here](#).

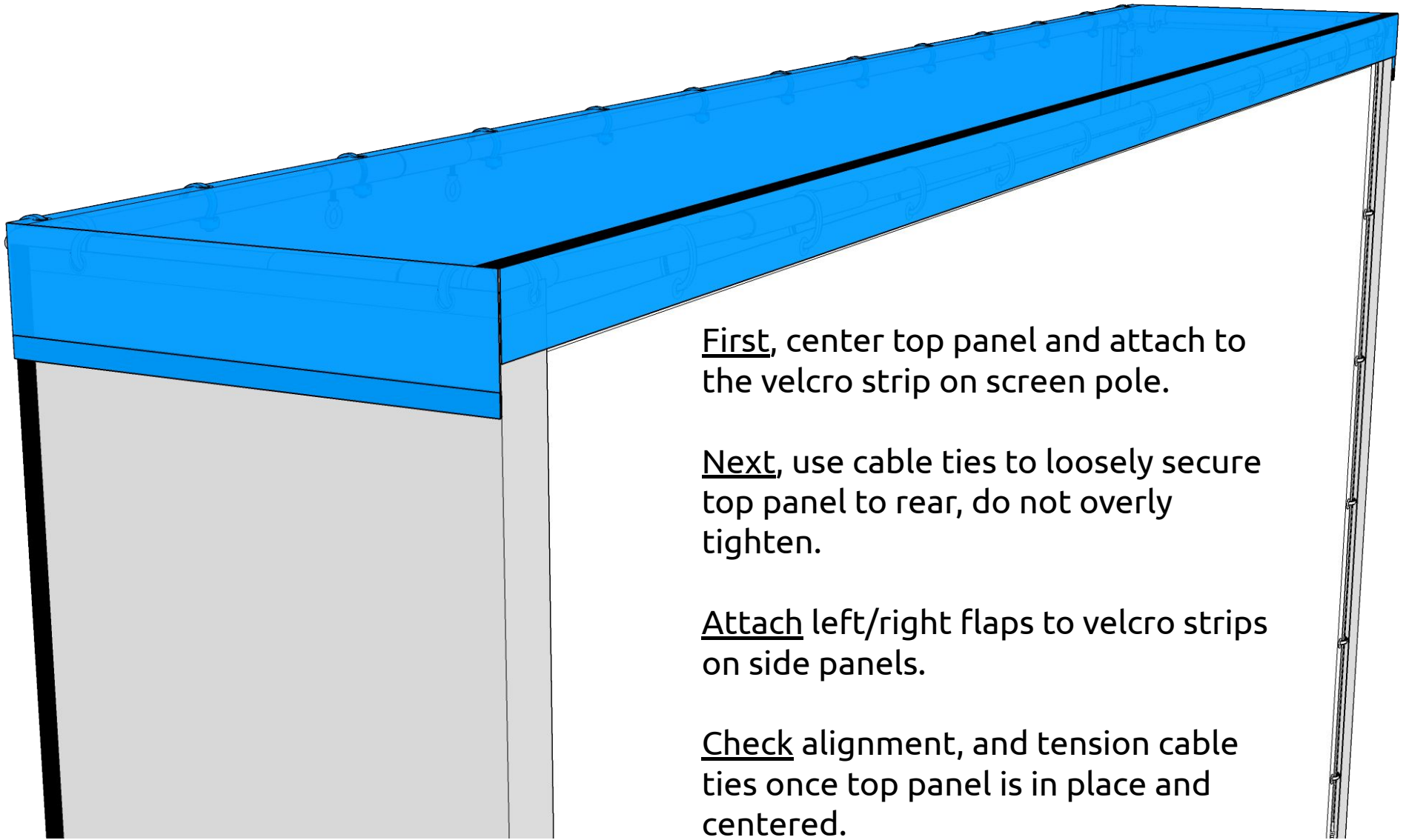


Install panel with notch facing **front** of enclosure with SkyGuard Netting



Install panel on other side with notch facing **back** of enclosure when no SkyGuard Netting is in use.

Install Top Panel



First, center top panel and attach to the velcro strip on screen pole.

Next, use cable ties to loosely secure top panel to rear, do not overly tighten.

Attach left/right flaps to velcro strips on side panels.

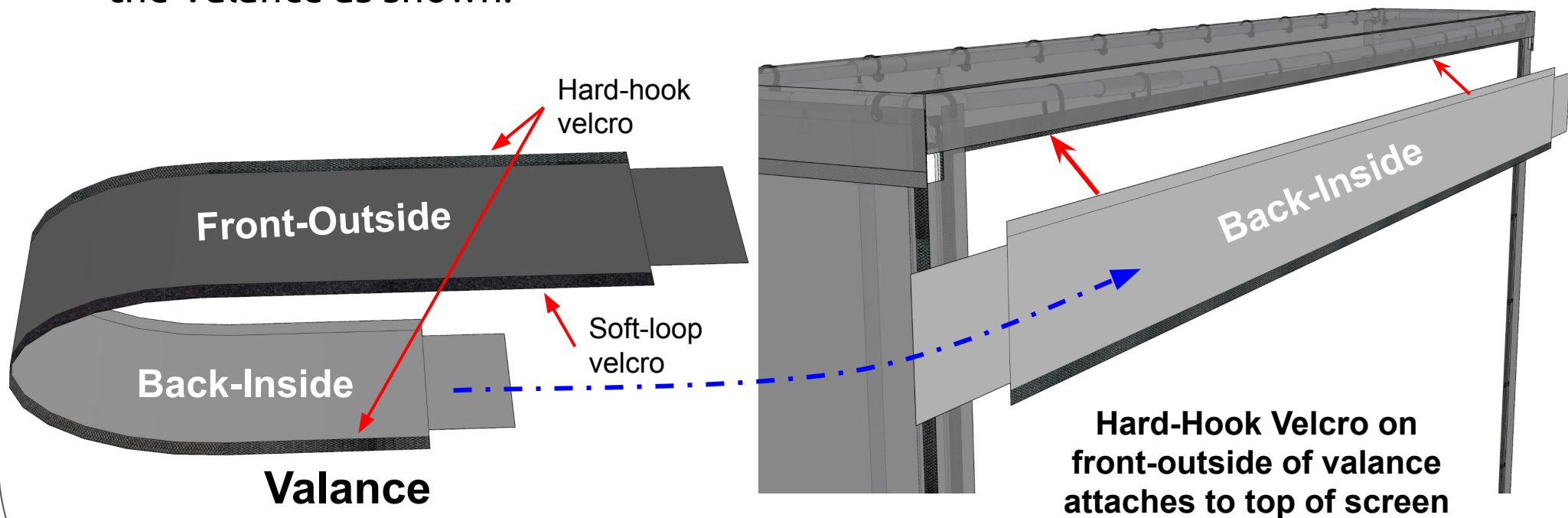
Check alignment, and tension cable ties once top panel is in place and centered.

Install FoamDefender Safety Valance (Optional upgrade)

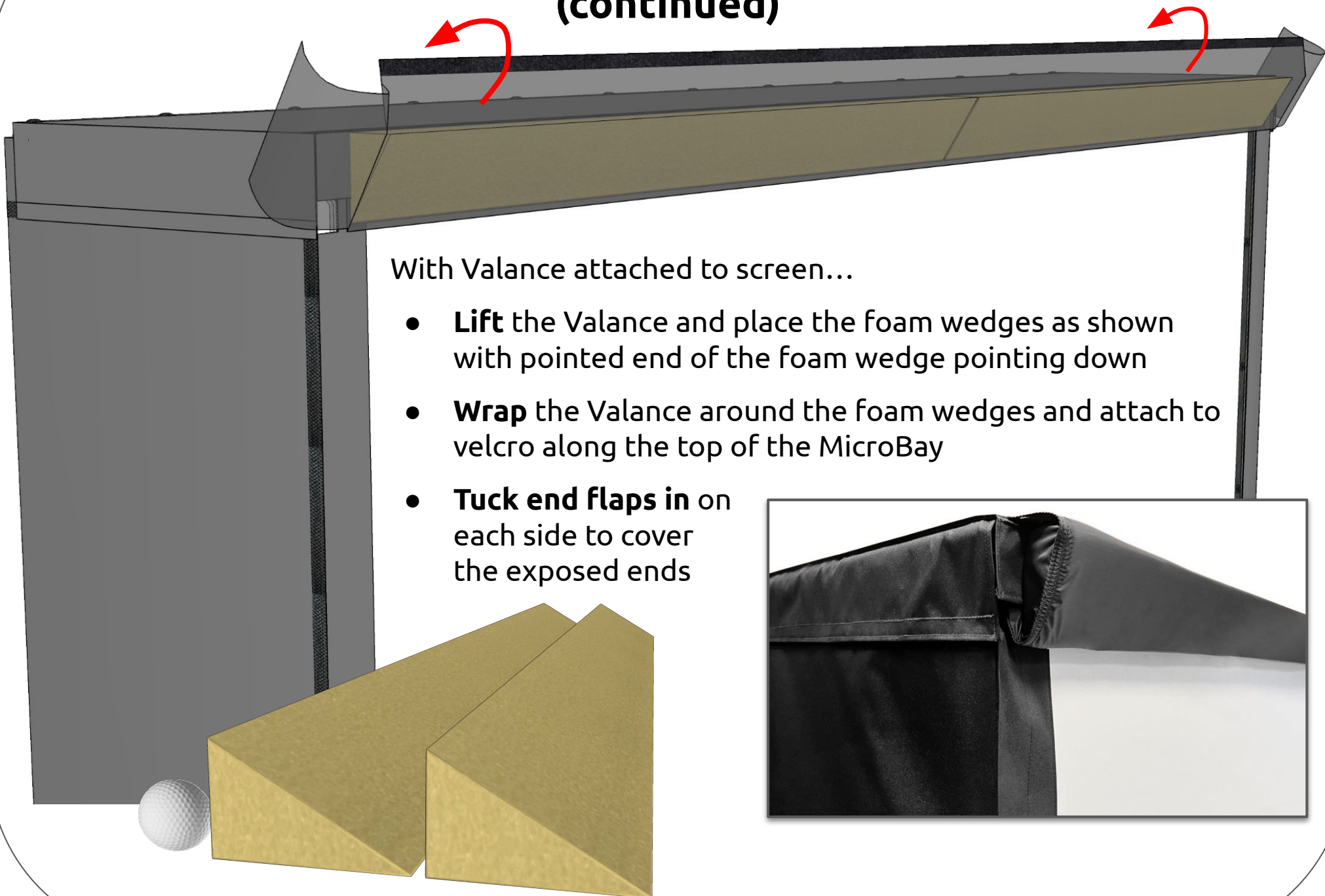
MicroBay FoamDefender upgrade should be installed **before** installing SkyGuard netting.

Attach the front-outside of the Valance to the top of the screen

Note: If you ordered the FoamDefender separately from the MicroBay, you will need to install included stick-on velcro to the screen first then attach the Valance as shown.



Install FoamDefender Safety Valance (continued)



With Valance attached to screen...

- **Lift** the Valance and place the foam wedges as shown with pointed end of the foam wedge pointing down
- **Wrap** the Valance around the foam wedges and attach to velcro along the top of the MicroBay
- **Tuck end flaps in** on each side to cover the exposed ends

3" x 5" Foam Wedges

Your MicroBay is ready to go!

- See [setup guides](#) if you purchased SkyGuard or Triangle netting upgrades.

