

# AM68 AC Input Flexible Quiet Curtain Motor v1.0.1



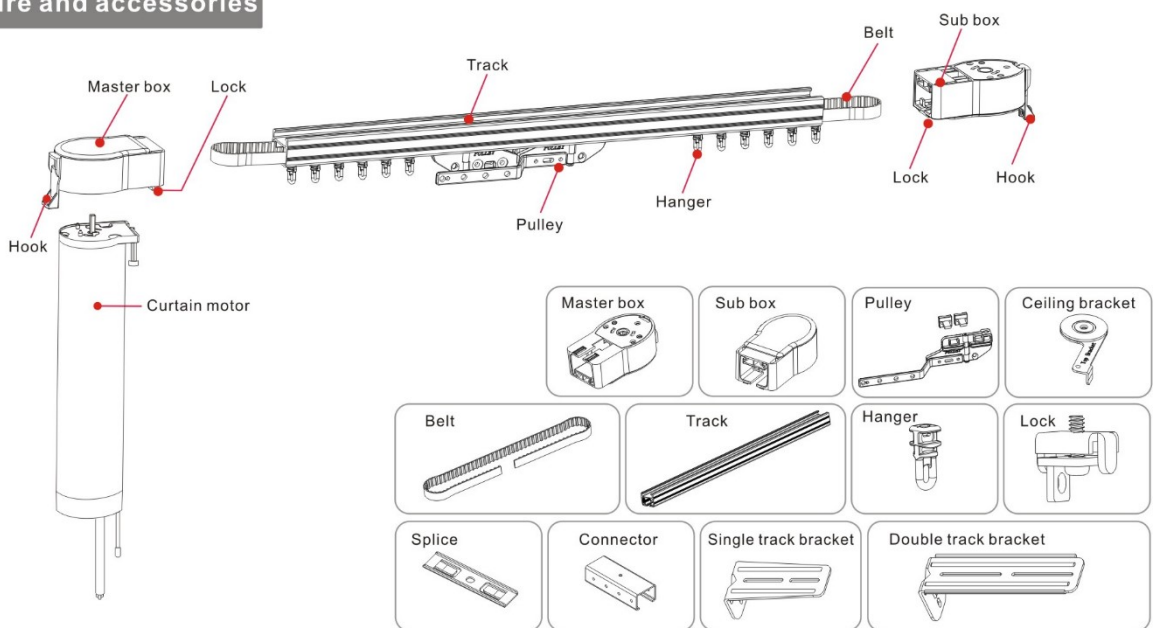
## Features

- **Bi-voltage power supply:** AC100~240V, available for global countries
  - **Multiple connections:** Use RJ12 port for several motors online control, and external switch operate each motor
  - **Stop on block:** motor stops automatically to protect the whole system when meeting resistance
  - **Light touch function:** after power on, pull the curtain slightly about 15cm, curtain will open/close automatically
  - **Manually operation:** When the power off, free to open or close the curtain as manually
  - **Third limits:** Except for the end limits, you can have the extra third limit in the middle to get the most comfortable indoor light
- **Flexible quiet design:** high-precision drive, leading intelligent design, beside, slow open and close make it light and smooth moving
  - **Various control:** According to the application, with option of RF control, hard wire, RS232/485 bus line control etc
  - **Remember limits:** Motor remember the first open and close stop, and keep no hit on the parts for longer life usage, evne the power off and on again

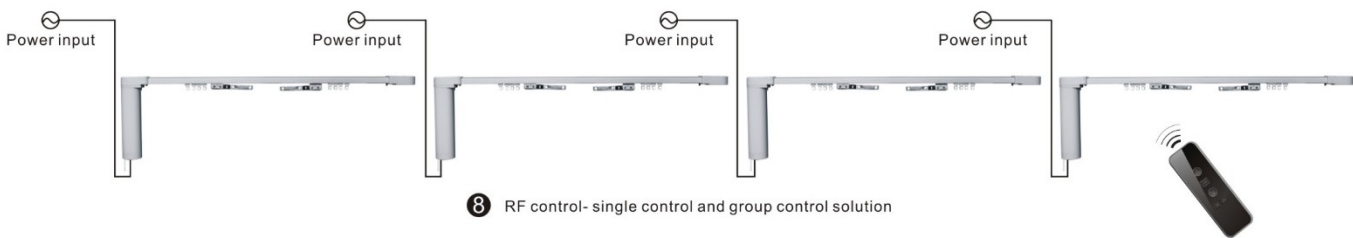
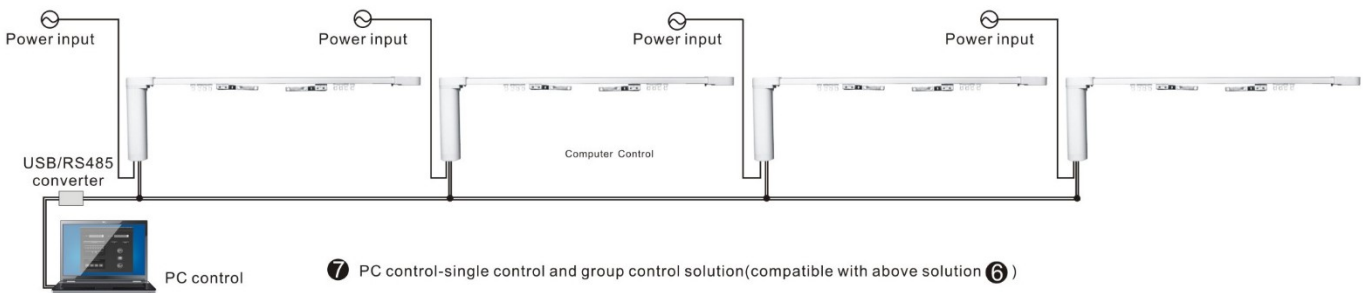
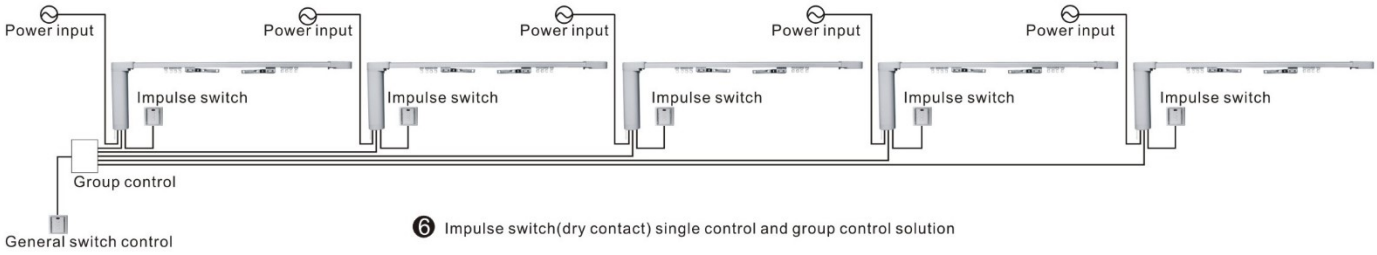
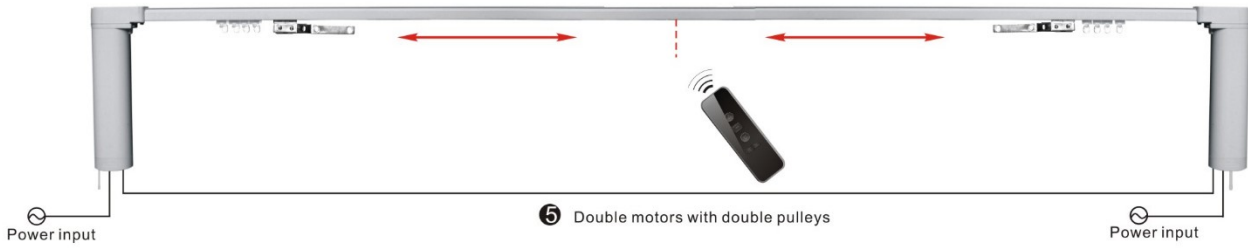
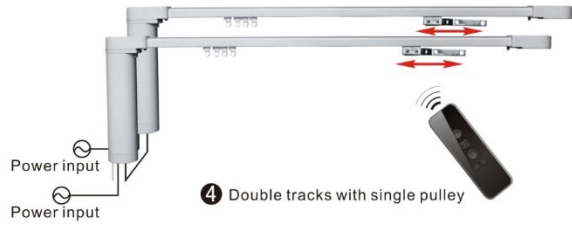
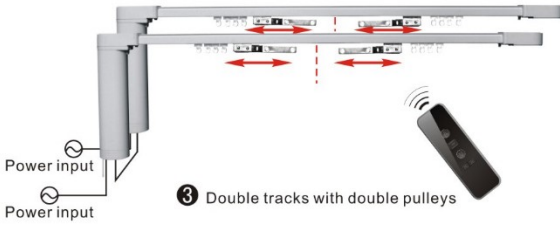
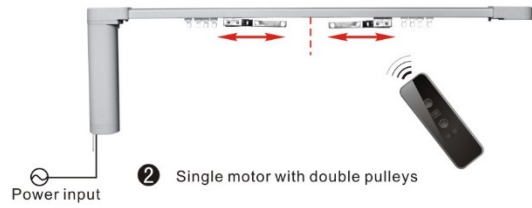
## Parameters

Model number	Rated torque	Speed	Housing size	Rated voltage	Rated power	IP level
AM68-1/80-EL-P	1N.m	12cm/s	310×68×50mm	AC100-240V 50/60Hz	65W	IP20
AM68-2/80-EL-P	2N.m	12cm/s	310×68×50mm	AC100-240V 50/60Hz	80W	IP20
AM68-1/80-EM-P	1N.m	14cm/s	310×68×50mm	AC100-240V 50/60Hz	65W	IP20
AM68-2/80-EM-P	2N.m	14cm/s	310×68×50mm </td <td>AC100-240V 50/60Hz</td> <td>80W</td> <td>IP20</td>	AC100-240V 50/60Hz	80W	IP20
AM68-1/80-EQ-P	1N.m	16cm/s	310×68×50mm	AC100-240V 50/60Hz	72W	IP20

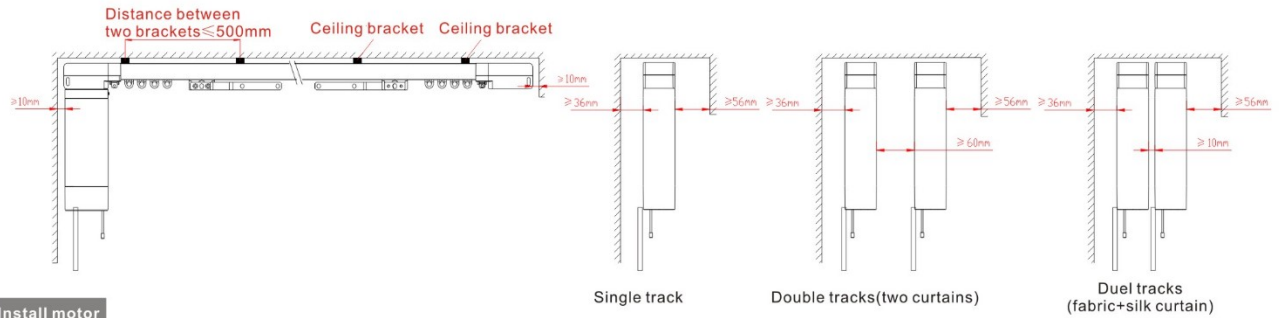
## Structure and accessories



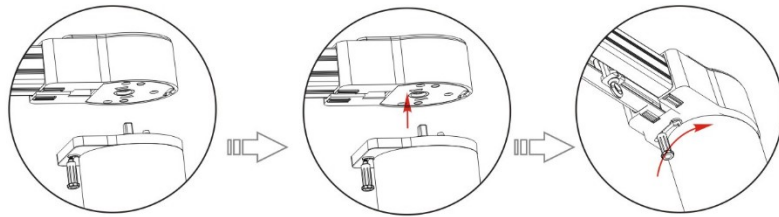
**Solution**



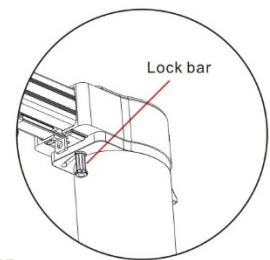
## Installation and wiring



### Install motor



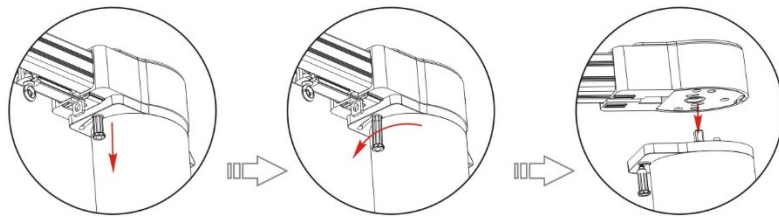
1. Please check and keep the lock bar at the left side as the image
2. Insert the motor to main box
3. Slide the lock bar and make sure it is in the limit hole on the right



### Caution

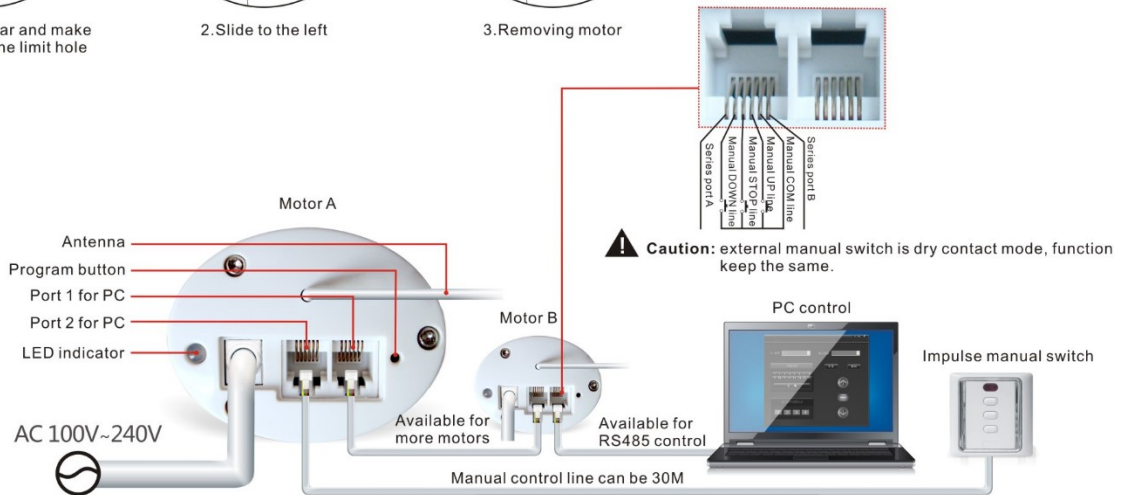
- Please follow the installation drawing above
- Make sure the lock bar in the correct position as image
- Ceiling must be strong enough to hold the track, motor and curtain

### Remove motor



1. Pull the lock bar and make it slide out of the limit hole
2. Slide to the left
3. Removing motor

### Wiring



## Functions

### Automatic remember journey

Motor stop at the open and close ends during the first operation, and keep it as the stop journey even the power off and on again

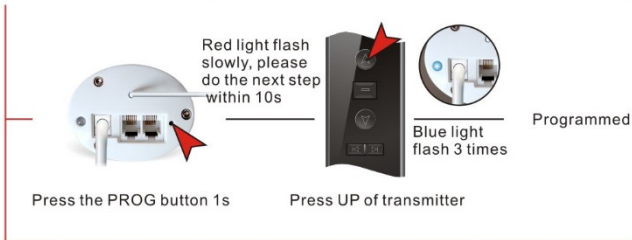
### Over current protection

Able to effectively avoid electric parts burnt or damage with over loading, and its coming fire damage. If there are two times short circuit caused by over loading in 1min, the red indicator light, the motor enter into protection mode. It has to be repower to start again

## Operation instructions

Please select channel for multi-channel transmitter before operation  
0.5s is needed for up/down converting, max single running time is 4 min

### 1 Programming



### 2 Changing direction

In the case of the motor goes in wrong direction



### 3 Mid-limit position setting

Only one can be set



### 4 New transmitter adding

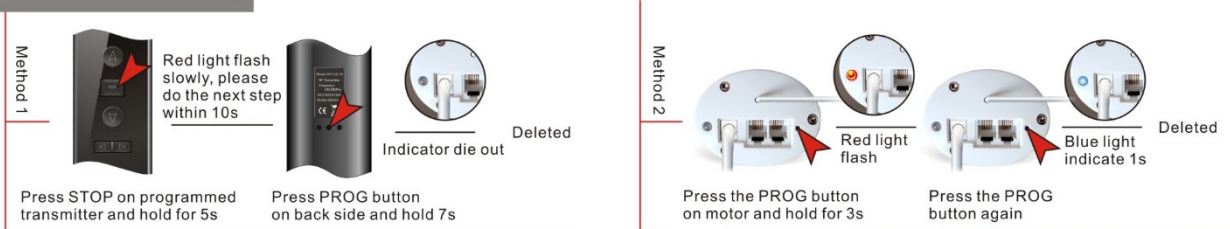


### 5 Single code deleting

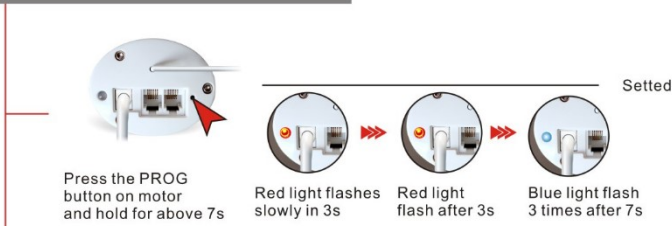


### 6 All code deleting

Journey will be deleted and the running direction will be the factory defaulted mode, keeping the touch function



### 7 Manual function setting



Manual function demonstration

