

HC-BetterLife

SMART CURTAIN TRACKS













USER MANUAL



SMART WIFI MOTOR

Better Home, Better Life
Smart Automatic High-Quality Wireless Motor

- 
WiFi
- 
Extremely Quiet
- 
Smooth Running
- 
Radio Control
- 
Manual Operation
- 
Automatic Stop
- 
Heavy Load
- 
Easy Assembly
- 
Advanced Technology
- 
High Performance

FEATURES

Smart Curtain Motor: Intelligent for home and office.

Automation Trigger: When powered on, pulling the curtain by hand about 4 inches (10 cm) will trigger the motor running.

Manual Operation: In case of power-cut, the curtains can still be operated as normal by hand.

Automatic Configuration: The motor can automatic configure the closed and open position. No manual set-up the limits.

Intermediate Position: The motor can have an intermediate position between closed and opened position.

Self-protection System: The motor will stop automatically when an obstacle is sensed.

Multiple-control: Can be controlled via remote, wall switch, timer, Mobile Apps, Amazon Alexa, Google Home, etc.

Easy Assembly: DIY designed so the tracks can adapt to fit customized length as desired.

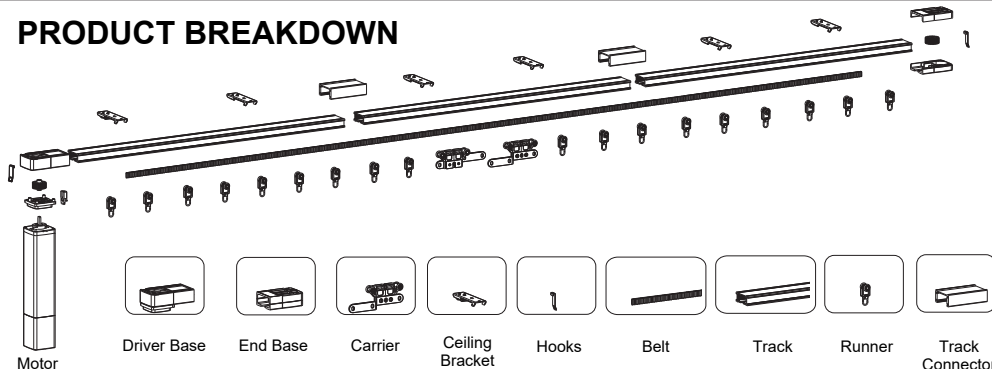
MOTOR PARAMETER

Motor Type	Rated Torque	Load	Dimension	Nominal Voltage	Nominal Consumption	IP
HT700D	1.2NM	<50KG	52*52*265mm	AC230V50HZ	40W	IP20

TRACK LOAD

Length	3m	4m	5m	6m	7m	8m
Curtain Weight	50 Kg	50 Kg	40 Kg	40 Kg	40 Kg	40 Kg

PRODUCT BREAKDOWN

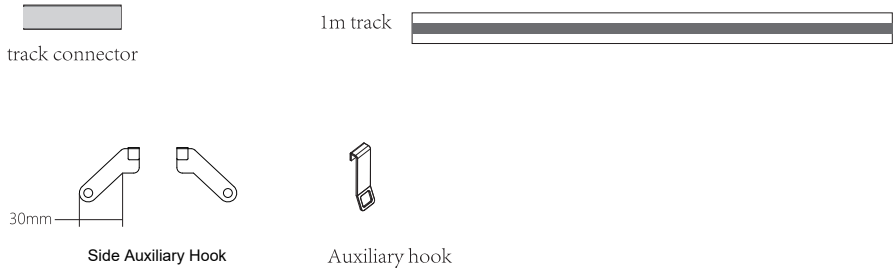


TRACK LENGTH SET-UP OPTIONS

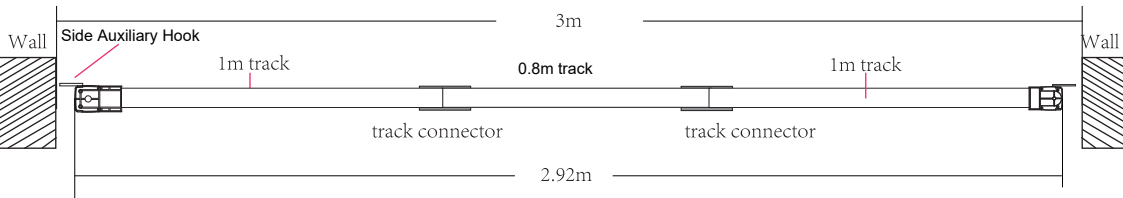
No.	Model	Total Length	Length of each track (centimeter)	Track Connector Quantity	Suitable Size
1	HT700D-2M	2.12 meters (87")	100	1	< 2.2 meters
2	HT700D-3M	3.12 meters (126")	100	2	< 3.2 meters
3	HT700D-4M	4.12 meters (165")	100	3	< 4.2 meters
4	HT700D-5M	5.12 meters (205")	100	4	< 5.2 meters
5	HT700D-6M	6.12 meters (244")	100	5	< 6.2 meters
6	HT700D-7M	7.12 meters (284")	100	6	< 7.2 meters
7	HT700D-8M	8.12 meters (323")	100	7	< 8.2 meters

Remarks:

- The tracks are jointed together with track connectors. You can cut the extra length off to make up to the desirable length. For best performance, it is better to cut all the tracks to equal length if possible.
- Optional accessories: Side mounting brackets, 90-degree angle connector, 135-degree angle connector, 24 x 7 timer.



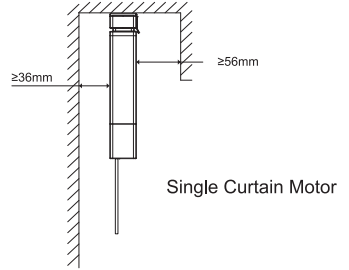
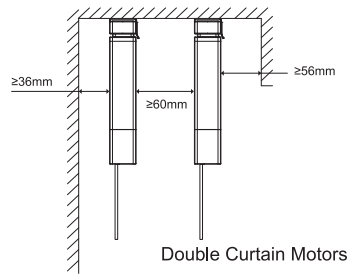
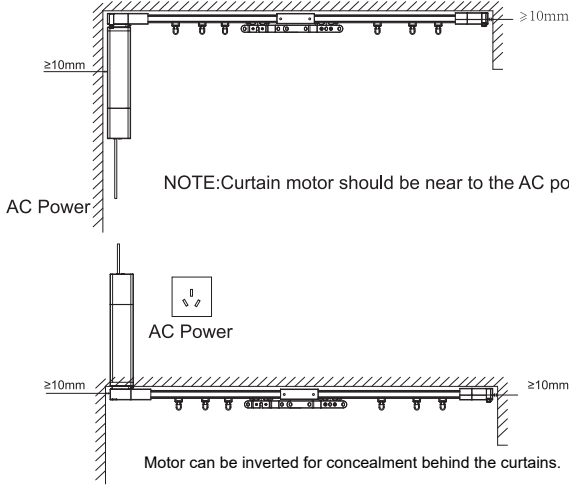
Example: track connect solution



Note:

- The distance between the tracks and the wall should be at least 2 centimeters.
- Please make sure the assembly of track connectors are staying in the middle of two tracks. The track connector should keep at least 20 centimeters from Drive Base or the end base.
- There are 120 mm length for the Drive Base and End Base. Take this into account when measure the total length of the tracks.

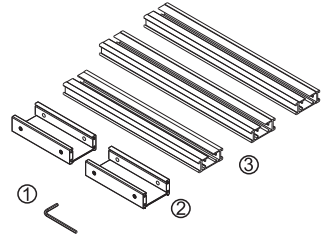
Curtain Track Dimension & Measurement



Track Installation Steps

Three sections as an example

- ① Allen wrench
- ② Connections
- ③ Tracks

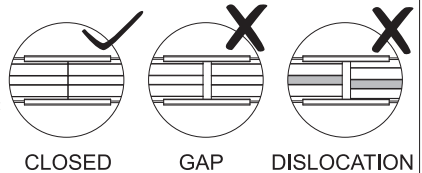


① Put the tracks and connections on flat ground

②

- ① Push the tracks into the connections.
- ② Once the tracks are fully inserted, use Allen Wrench to tighten the screws.

NOTE: By tighten the screws, please adjust the gaps between tracks. Ensure there are neither gaps nor dislocations.

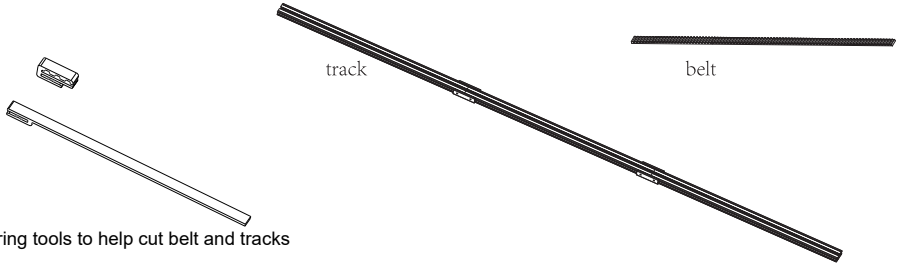


Instructions:

Cutting Track Belts for Central Opening Assembly

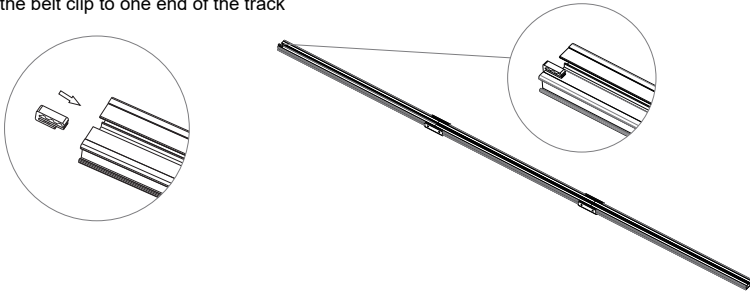
Note: 1. Only applicable for center opening set up.

2. The central setup option requires cutting the belt into two separate belts of equal length.

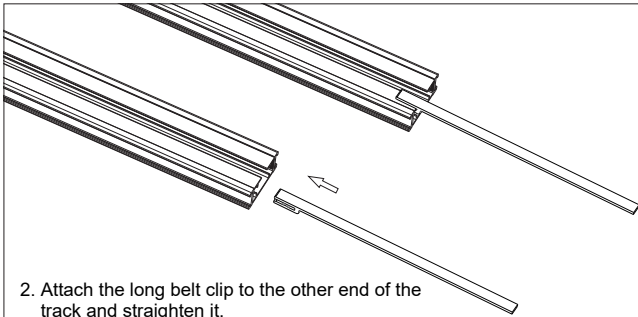


Measuring tools to help cut belt and tracks

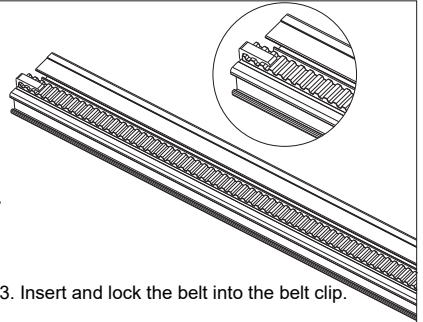
1. Attach the belt clip to one end of the track



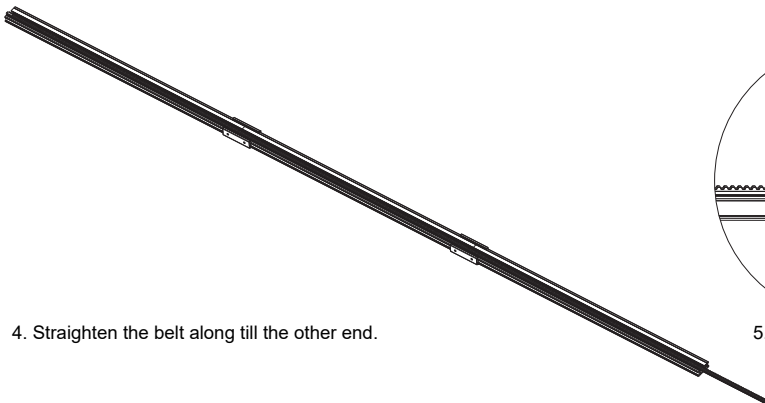
2. Attach the long belt clip to the other end of the track and straighten it.



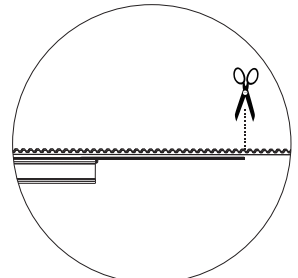
3. Insert and lock the belt into the belt clip.



4. Straighten the belt along till the other end.

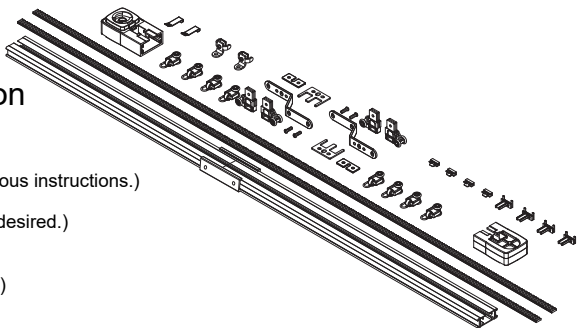


5. Cut the belt at the end.



Note: If you install one-way, please do not cut the belt. Instead, you can mark here to insert the belt clip later.

Instructions: Central Opening Track Installation



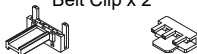
Materials Required:

- * Belt x 2 (Cutting Belt in equal length by following previous instructions.)
- * Belt Clips x 4
- * Runners (8 pieces per meter. Add more or reduce as desired.)
- * Hooks x 2
- * Carriers x 2 (Central Opening)
- * Tracks (With combination of tracks shown as example)

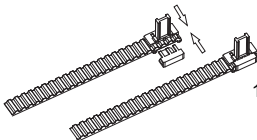
1

Materials:

Belt Clip x 2



Belt x 2



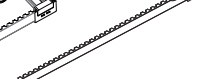
1.1 Fix the belt Clip on one end of the belt.



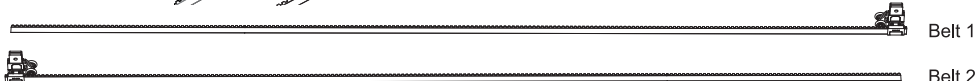
2

Materials:

Carrier Wheel x 2



2.1 Insert the belt clip into the carrier wheel.
Make sure the carrier wheel should stay at different side as shown below.



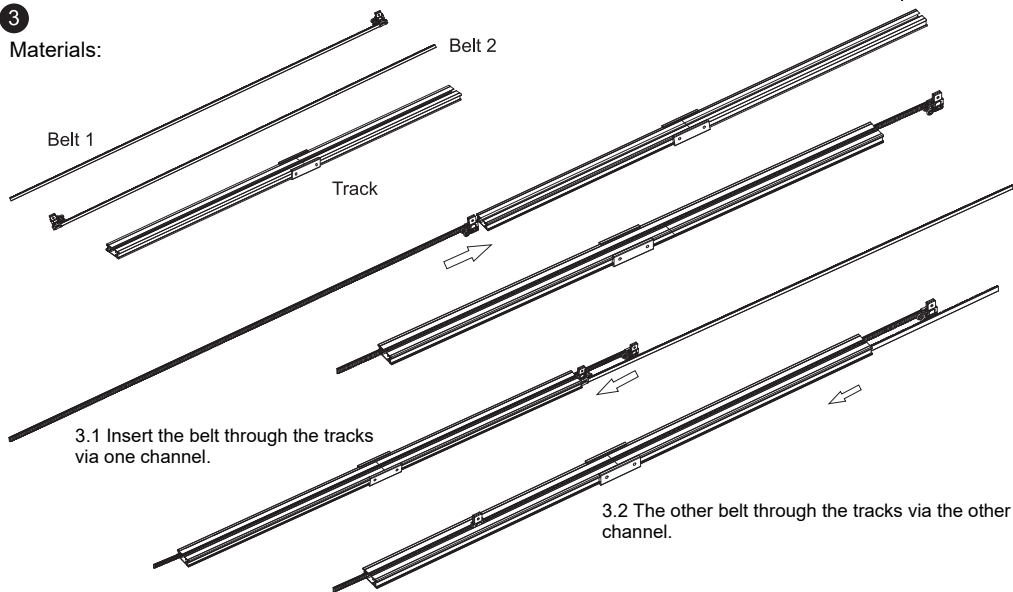
3

Materials:

Belt 1

Belt 2

Track



3.1 Insert the belt through the tracks via one channel.

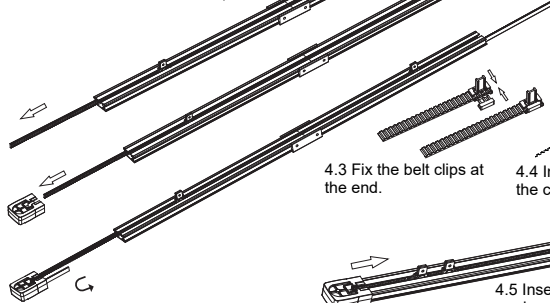
3.2 The other belt through the tracks via the other channel.

4

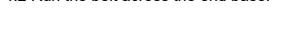
Materials:

- End Base
- Belt Clip x 2
- Carrier Wheel x 2

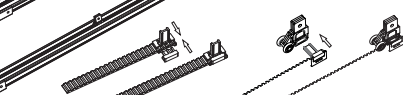
4.1 Pull out the belt (at the side which has not attached to the drive wheel).



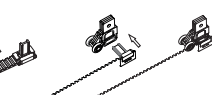
4.2 Run the belt across the end base.



4.3 Fix the belt clips at the end.

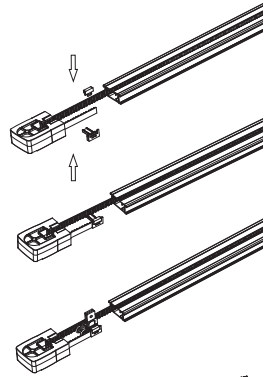


4.4 Insert the belt clips into the carrier wheel.



4.5 Insert the carrier wheel inside the channel until it meets with the other carrier wheel from the other belt.

4.6 Finally, join the end base with the tracks. Do not push too hard to avoid damaging the belt.



5

Materials:

- Drive Base
- Carrier Wheel
- Belt Clip

5.1 Take the other belt and run through the drive base.

5.2 Fix the belt clip on the end.

5.3 Insert the belt clip into carrier wheel.

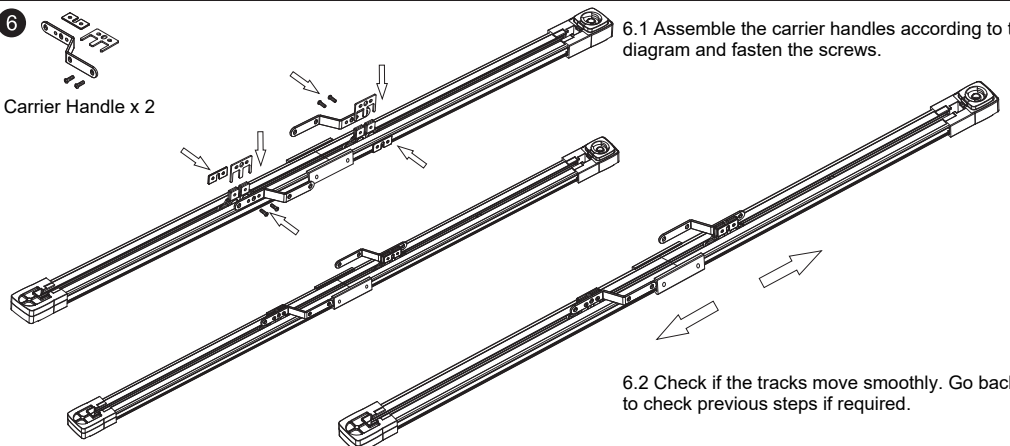
5.4 Join the drive base with the tracks. Do not push too hard to avoid damaging the belt.

6

Carrier Handle x 2

6.1 Assemble the carrier handles according to the diagram and fasten the screws.

6.2 Check if the tracks move smoothly. Go back to check previous steps if required.

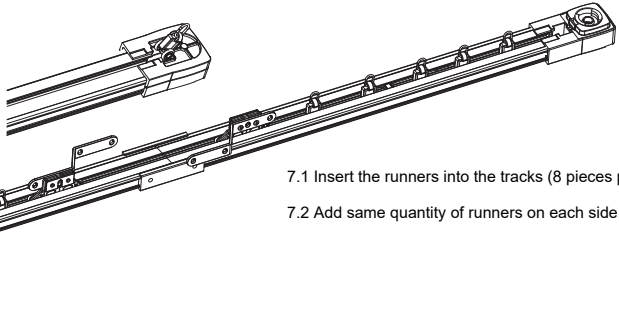


7

Materials



Runners



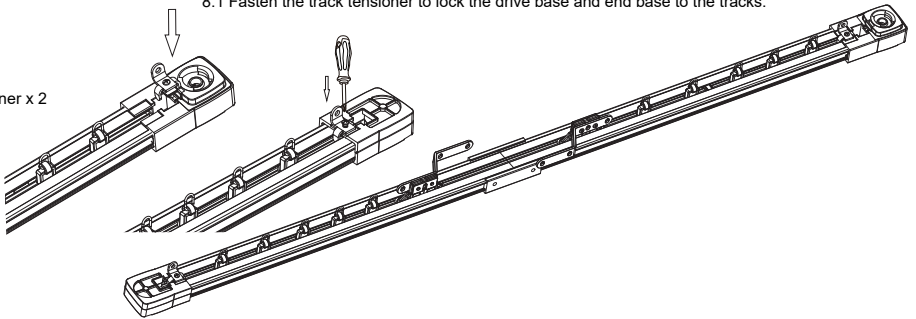
7.1 Insert the runners into the tracks (8 pieces per meter).

7.2 Add same quantity of runners on each side.

8



Track Tensioner x 2

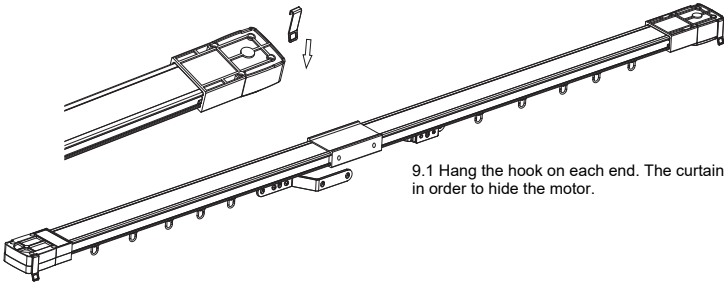


8.1 Fasten the track tensioner to lock the drive base and end base to the tracks.

9



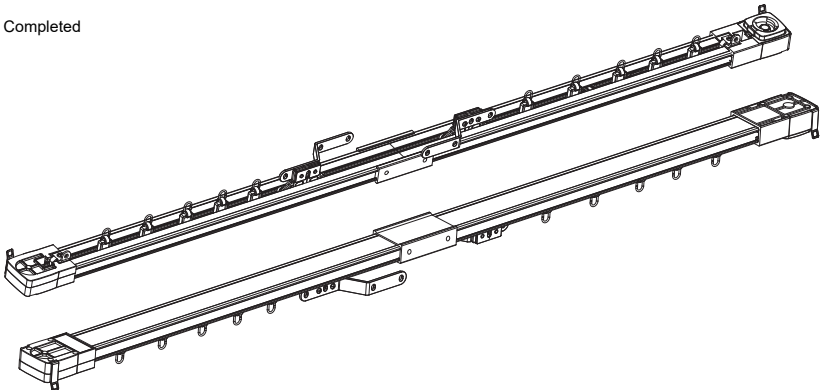
End Hooks x 2



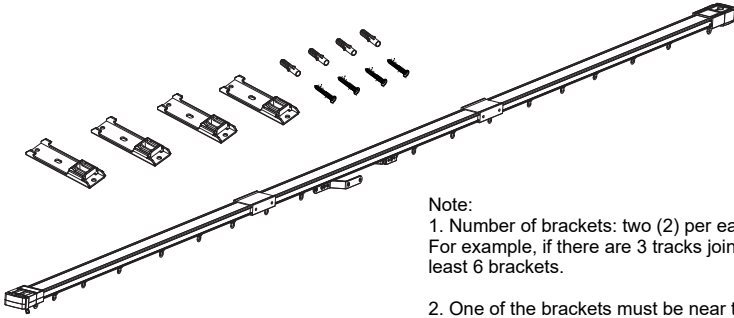
9.1 Hang the hook on each end. The curtains can attach to them in order to hide the motor.

10

Track Assembly Completed



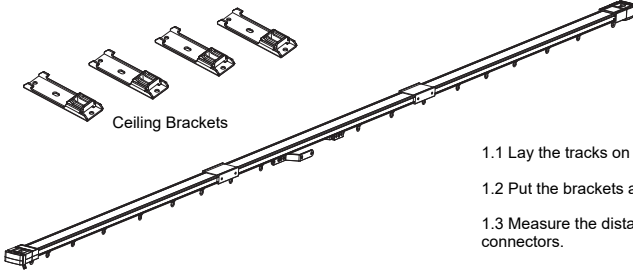
Instructions: Mounting the Tracks



Note:

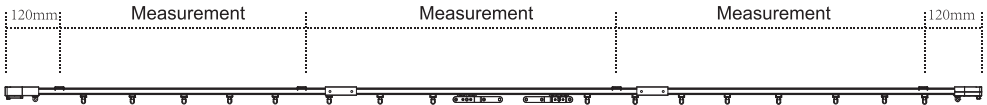
1. Number of brackets: two (2) per each meter of track.
For example, if there are 3 tracks joining together, please use at least 6 brackets.
2. One of the brackets must be near to each of track connector.
3. One of the brackets should be close to the drive base and end base.
However, please keep distance at least 12 mm.

1 Decide the position of Brackets

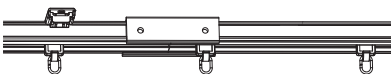


- 1.1 Lay the tracks on the floor.
- 1.2 Put the brackets along the tracks where the brackets will be.
- 1.3 Measure the distance from one end of tracks, or from the track connectors.

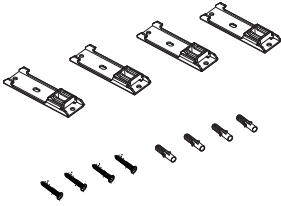
Note:
We use the ceiling brackets as examples. If you buy wall brackets, the installation procedure will be similar.



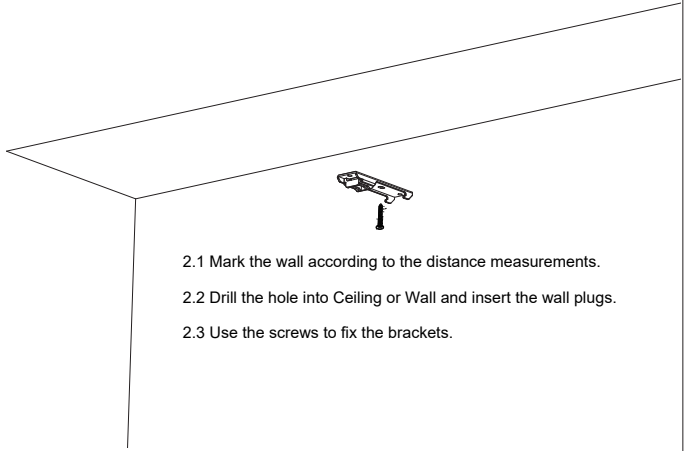
Note: Please make sure at least one bracket is near to each track connector.



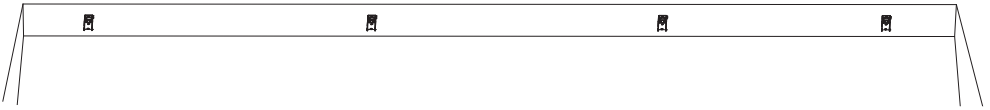
2 Install the Brackets



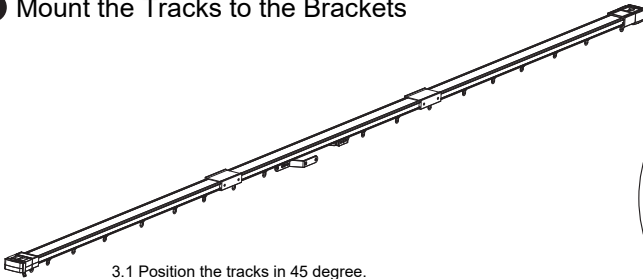
Ceiling Brackets and Screw Sets



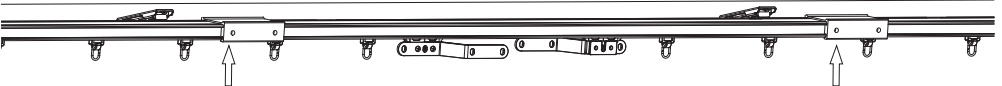
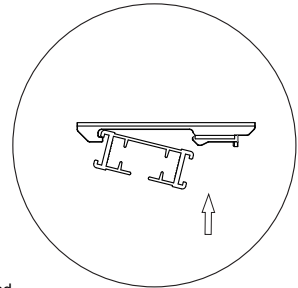
- 2.1 Mark the wall according to the distance measurements.
- 2.2 Drill the hole into Ceiling or Wall and insert the wall plugs.
- 2.3 Use the screws to fix the brackets.



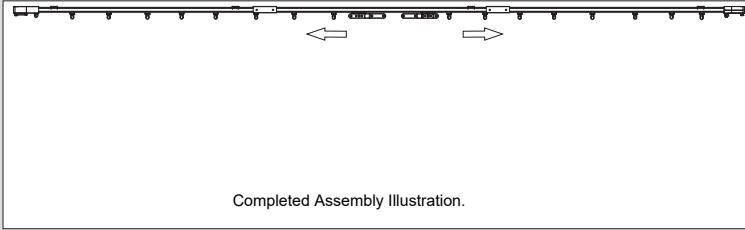
3 Mount the Tracks to the Brackets



- 3.1 Position the tracks in 45 degree.
- 3.2 Insert one side of the tracks into the brackets (as shown in the right).
- 3.3 Push the other side to lock into the brackets, until you hear click-sound.



4 Assembly Test



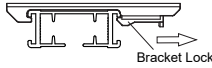
Note:

1. Pull the carriers to check if the tracks run smoothly along. If it does not, take it off and fix the obstacles.
2. Make sure the tracks connections are fully in place and locked. If there is gap between them, please loosen and re-fasten the track tensioner, or you need to check if the belts are too long.
3. The End Hooks should face outwards (not towards the wall).

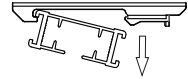
Disassembly of track



Brackets Locked



1. Pull the lock forward to release the track

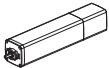


2. Take off the tracks



MOTOR

1

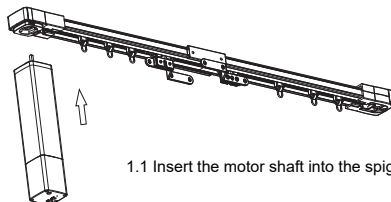
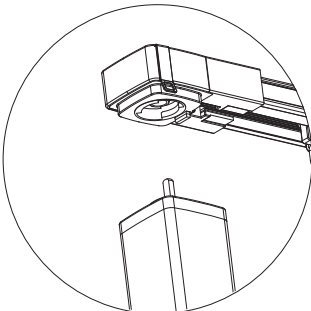
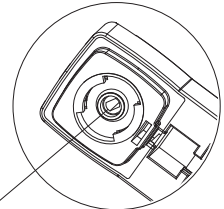


Motor



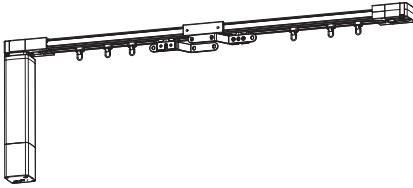
Track

Shaft & spigot



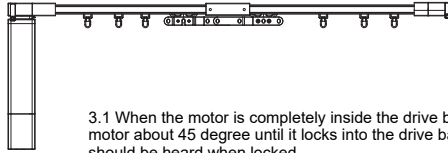
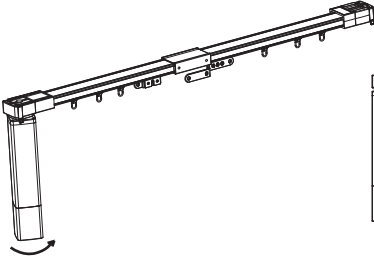
1.1 Insert the motor shaft into the spigot hole on the drive base.

2



2.1 Push the motor completely into the drive base.

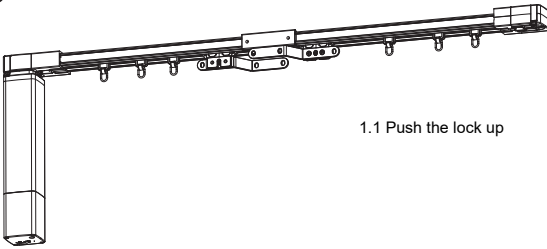
3



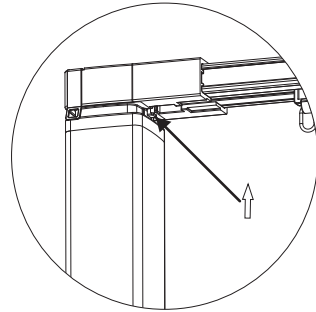
3.1 When the motor is completely inside the drive base, twist the motor about 45 degree until it locks into the drive base. A click-sound should be heard when locked.

Disassembly of motor

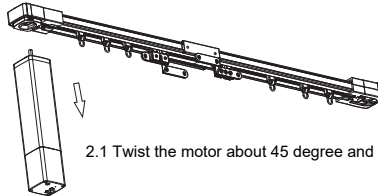
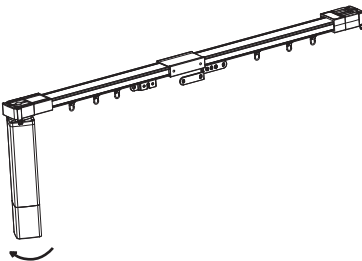
1



1.1 Push the lock up

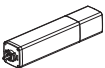


2

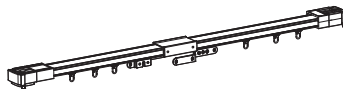


2.1 Twist the motor about 45 degree and take the motor off.

3



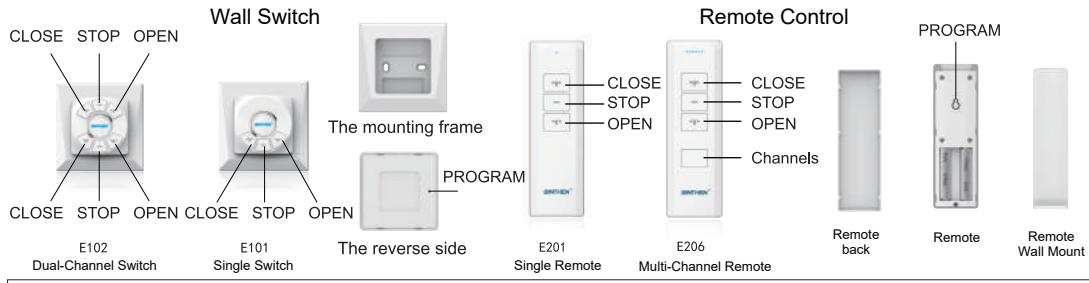
Motor



Track

3.1 Motor is dismounted.

Remote Control Setup



Method 1: Quick Setup



Device Pairing and Synchronization

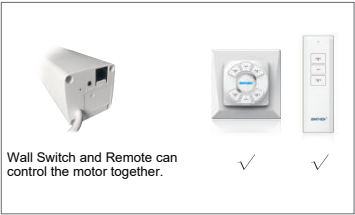
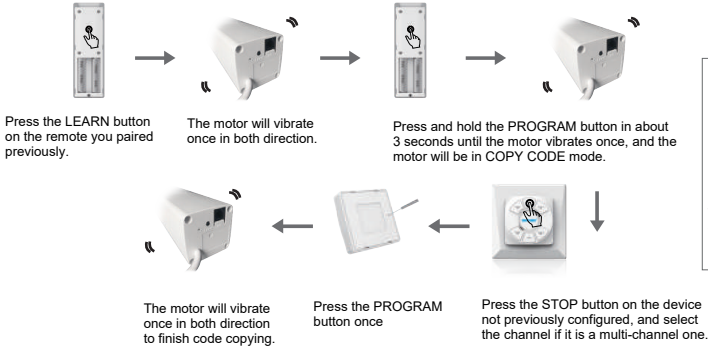
The remote / wall switch must pair with the motor before it can be used.

When the motor is in a state of synchronization / pairing, it is attempting to pair in 10 seconds. The motor will exit the configuration state and return to normal operation mode.

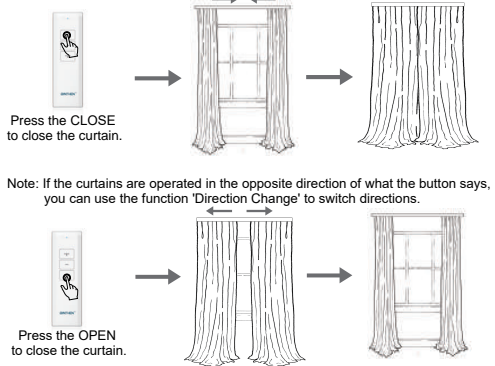
If synchronization failed, please retry from beginning.

An indicator will lit up during the pairing process.

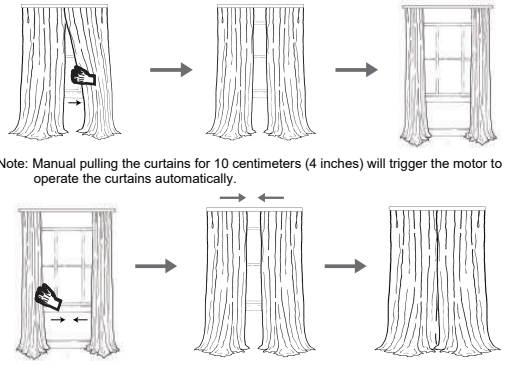
Method 2: Copy Code between devices



Operation: Remote Control



Operation: Pull-Start Mode



Disable Pull-Start Mode

Press the STOP and OPEN buttons simultaneously until the motor vibrates. The motor's pull-start mode will be disabled.

In case you manually pull the curtains, the motor will not be trigger to start. You can still operate the curtains with the remote or wall switch.



Press and hold the STOP and OPEN buttons together



The motor vibrate once in both directions.

Enable Pull-Start Mode

Press the STOP and OPEN buttons simultaneously until the motor vibrates. The motor's pull-start mode will be enabled.

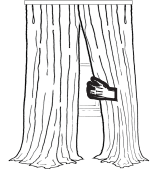
In case you manually pull the curtains, the motor will not be trigger to start. You can still operate the curtains with the remote or wall switch.



Press and hold the STOP and OPEN buttons together



The motor vibrate once in both directions.



Customize Open and Close Positions

When the motor is powered on, the curtains will open or close and automatically configure the fully open and closed positions, even if the motor has never been programmed. By remembering those settings, the motor will operate automatically. So no manual setting will be required if you are happy with it.

If you need to overwrite those positions automatically configured, follow the steps below to overwrite them.



Press the PROGRAM button



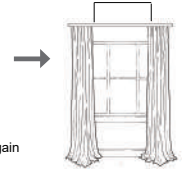
The motor vibrates once in both directions.



Press the OPEN button



The motor vibrates again in both directions.



Open position is now set.

Note: To configure the closed intermediate position, press the CLOSE button instead in third steps.

Delete Configured Positions

a) Deleting saved positions individually.



Press the PROGRAM button



The motor vibrates once in both directions.



Press the STOP button



Press the OPEN button



The motor vibrates again in both directions.

b) Deleting all saved positions all together.



Press and hold the LEARN button on the motor.



The indicator light will flash 3 times.



The motor vibrates once in all directions.



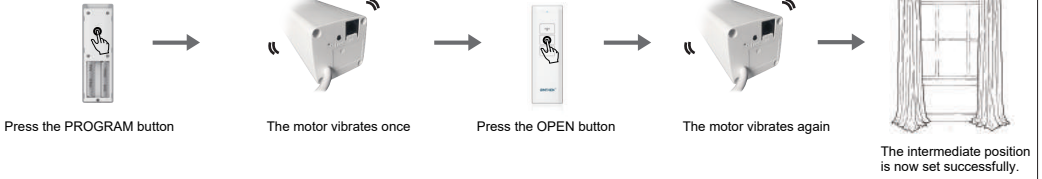
Position deleted.



Repeating the same procedure will delete the other positions one by one.

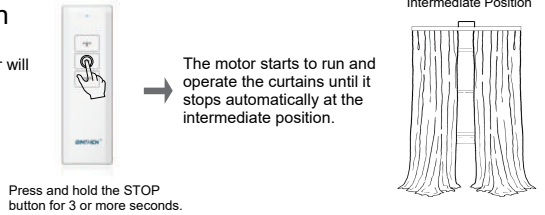
c) Disconnect the power and plug in again.

Configure Intermediate Position (Partially Open)



Operate Curtains to Intermediate Position

Press and hold the STOP button for more than 3 seconds, the motor will operate the curtains until they reach the intermediate position and stop automatically.



Delete Intermediate Position

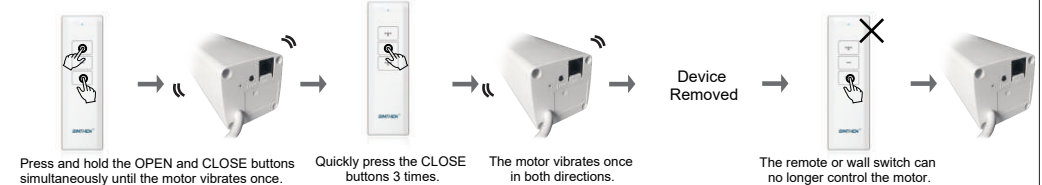
Method 1: Disconnect the power to the motor to delete all positions.
Method 2: Press and hold the LEARN button until the indicator flashes.

Change Direction

If the motor operates in an opposite direction according to the remote, try the following procedure to reverse the operation direction.

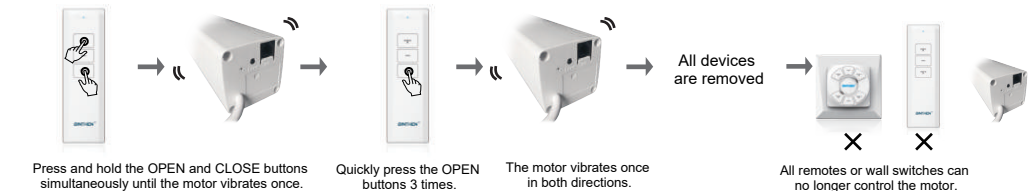


Remove Single Pairing Remote or Wall Switch

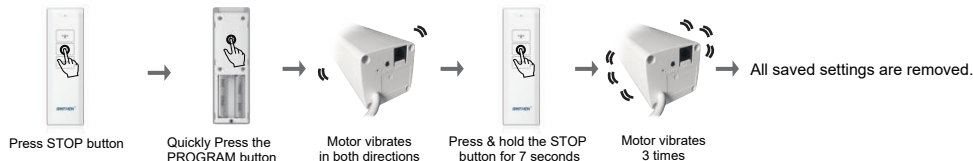


Remove All Pairing devices

Press OPEN and CLOSE together, the motor will vibrate. Then press OPEN 3 times, the motor vibrates again. Delete all emitters.



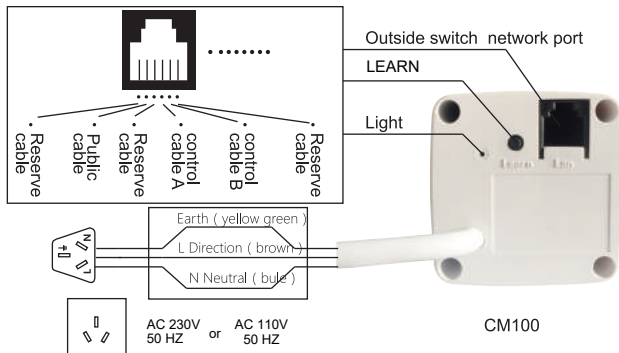
Factory Reset



Note:

- When the motor completes operation or finished programming, the indicate light will stay lit for 3 seconds.
- After 4 minutes continuous operation, the motor will stop automatically in order to prevent damage.
- If the motor becomes too hot, auto-protection mode will be triggered to stop the motor. It will resume operation once it cools off.

RJ116P6C Connection



Manual Switch Mode: RJ11 (for external integration)

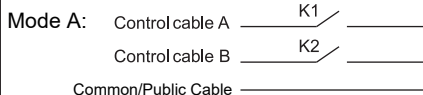


Press STOP and CLOSE buttons simultaneously

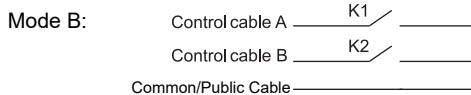


Motor vibrates once to switch mode A and B

Note: Manual Switch Mode A is the default factory setting. To switch to Mode B, follow the above procedure.

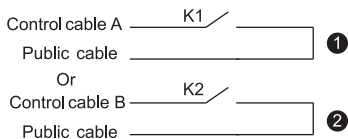


K1 OPEN	K2 OPEN	Motor Stops Operation (Stand-by)
K1 CLOSE	K2 OPEN	Motor Open Curtains
K1 OPEN	K2 CLOSE	Motor Close Curtains
K1 OPEN	K2 OPEN	Motor Stops (Loops back to beginning)



K1 OPEN	K2 OPEN	Motor Stops Operation (Stand-by)
K1 CLOSE	K2 OPEN	Motor Open Curtains
K1 OPEN	K2 OPEN	Motor Continues Operation
K1 CLOSE	K2 OPEN	Motor Stops Operation
K1 OPEN	K2 OPEN	Motor Stops Operation
K1 OPEN	K2 CLOSE	Motor Close Curtains
K1 OPEN	K2 OPEN	Motor Continues Operation
K1 OPEN	K2 CLOSE	Motor Stops Operation
K1 OPEN	K2 OPEN	Motor Stops (This loops back to beginning.)

The Third Way



① and ② have the same function, take ① as the example

- a. When the motor stands by, and K1 stays OPEN:
- K1 CLOSE, Motor closes the curtains;
 - K1 OPEN, Motor continues operation;
 - K1 CLOSE again, Motor stops;

- b. Next, the motor stands by and K1 stays CLOSE:
- K1 OPEN, Motor opens the curtains;
 - K1 CLOSE, Motor continues operation;
 - K1 OPEN again, Motor stops. (Now it goes back to status a. and loops the steps).

Trouble Shooting

- Does not run smoothly:
Adjust the screws on track connectors. Make sure the tracks are aligned leveled horizontally and vertically.
- Motor stops running:
Check the electricity and voltage.
- Remote or Wall Switch does not operate the motor.
Check the battery. Pair with the motor again if required.
- Motor stops working when curtains are not fully opened or closed.
Motor will stop automatically in case of over-heating. Check the motor temperature and power it off for a while. It will also automatically resume to work after it cools off.

WARRANTY CARD

Void Warranty if this card is absent. Please keep it well for reference.

*User Profiles

First Name		Surname	
Address			
Post Code		Country	
Contact Number		Mobile	
Purchase Date		Purchase Site & Order Reference	
Motor Model		Motor Serial	
Reseller Name		Reseller Contact Details	

Warranty Terms and Conditions:

1. Two-year standard warranty period applies, starting from the time of purchase.
2. Customers may be issued a replacement parts or product within warranty period, if our products develop manufacturing defects.
3. Product warranty applies only for conditions of normal use. Any artificial damage, including but not limited to disassembly from original parts, improper installation and operation, alterations, will void the warranty.
4. Accessories or free swatches are excluded from standard warranty scope.
5. Customers must provide detail information about the purchase to facilitate the warranty claims. We reserve the right to void the warranty if we cannot validate the products.
6. Lifetime service and repair is available in case of out-of-warranty. Please contact our customer service or your original reseller for further instructions.